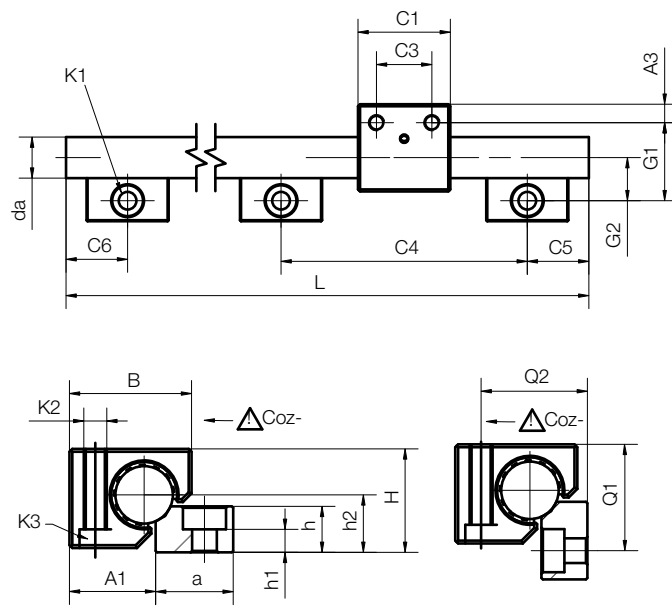


Single rail, made of 316 stainless steel



i Housing and shaft support material
AISI 316
Shaft material
AISI 316Ti

Technical data and dimensions [mm]

Part No.	Weight [kg/m]	H ⁵⁷⁾ ±0.25	da -0.1	L Max.	a -0.3	h	h ₁	h ₂	G ₁	G ₂	A ₁	Q ₁	Q ₂
WS-10-ES-FG	0.87	18	10	3,000	27	5.5	5.5 ⁵⁸⁾	9	27	17	16.5	-	-
WS-16-ES-FG	2.22	27	16	3,000	27	12.0	4.5	14	33	19	25	32	28
WS-20-ES-FG	3.37	36	20	3,000	27	16.0	8.0	20	38	21	30	37	37
WS-25-ES-FG	5.21	45	25	3,000	32	20.0	9.0	25	46.5	25.5	37.5	45.5	46

Part No.	C ₁	C ₃	C ₄	C ₅ Min.	C ₅ Max.	C ₆ Min.	C ₆ Min.	A ₃	K ₁ for screw DIN 912	I _y [mm ⁴]	I _z [mm ⁴]	W _{by} [mm ³]	W _{bz} [mm ³]
WS-10-ES-FG	29	16	120	20	79.5	20	79.5	6.5	M6 ⁵⁸⁾	491	491	98	98
WS-16-ES-FG	36	18	120	20	79.5	20	79.5	9.0	M8	3,217	3,217	402	402
WS-20-ES-FG	45	27	120	20	79.5	20	79.5	9.0	M8	7,854	7,854	785	785
WS-25-ES-FG	58	36	150	25	99.5	25	99.5	11.0	M10	19,175	19,175	1,534	1,534

⁵⁷⁾ Height dimension minus the bearing clearance tolerance ⁵⁸⁾ With plain holes

Can be combined with:



Suitable liner material



Pillow blocks, made from 316 stainless steel



Order key

Type Design

W J UM-01-10-ES-FG

drylin® W	igidur® J liner	Pillow blocks, round	Standard	Size 10	Stainless steel	Precision casting
-----------	-----------------	----------------------	----------	---------	-----------------	-------------------

Material
ES-FG: Stainless steel precision casting AISI 316

Technical data and dimensions [mm]

Part No.	Weight [g]	B	C ₁	C ₃	A ₃	K ₂	K ₃ Countersunk head screw	Stat. load capacity		
								C _{oy} [N]	C _{oz+} [N]	C _{oz-} [N]
WJUM-01-10-ES-FG ⁵⁹⁾	57	26	29	16	6.5	M6	M5	3,800	3,800	950
WJUM-01-16-ES-FG ⁵⁹⁾	134	34.5	36	18	9	M8	M6	6,900	6,900	1,450
WJUM-01-20-ES-FG ⁵⁹⁾	280	42.5	45	27	9	M8	M6	11,000	11,000	1,900
WJUM-01-25-ES-FG ⁵⁹⁾	564	52.5	58	36	11	M10	M8	16,000	16,000	3,600

⁵⁹⁾ Alternative with XUMO-01-... liners for high temperatures available. Part No.: WXUM-01-...