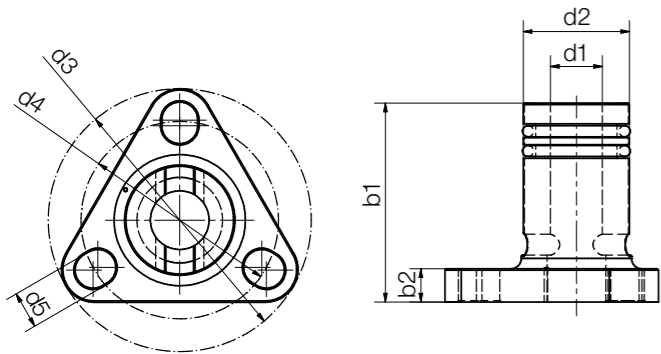


Type Thread

**J F R M-LC-0001-TR 10X2**

iglidur® material	Form F	Hand of rotation	Metric	Low Clearance	Type	Trapezoidal thread	Diameter [mm]	Pitch
-------------------	--------	------------------	--------	---------------	------	--------------------	---------------	-------



### Technical data

Thread	Max. stat. axial F [N]	Max. idling torque (with O-ring) [Nm]	Weight [g]	Part No.
<b>Single start</b>				
Tr8x1.5	75	0.01–0.03	6.8	JFRM-LC-0001-TR8X1.5
Tr10x2	75	0.01–0.03	6.8	JFRM-LC-0001-TR10X2
Tr10x3	75	0.01–0.03	6.8	JFRM-LC-0001-TR10X3
Tr12x3	125	0.06	18.0	JFRM-LC-0001-TR12X3
Tr14x3	125	0.08	18.0	JFRM-LC-0001-TR14X3
Tr14x4	125	0.08	18.0	JFRM-LC-0001-TR14X4
<b>Multi start</b>				
Tr06x2P1	40	0.01–0.03	3.9	JFRM-LC-0001-TR06X2P1
Tr12x6P3	125	0.06	18.0	JFRM-LC-0001-TR12X6P3

### Dimensions [mm]

Thread	d1 <sup>156)</sup>	d2 <sup>156)</sup>	d3	d4	d5	b1 <sup>156)</sup>	b2	Part No.
<b>Single start</b>								
Tr8x1.5	8	16.0	38.1	28.3	5.2	28.3	4.8	JFRM-LC-0001-TR8X1.5
Tr10x2	10	16.0	38.1	28.3	5.2	28.3	4.8	JFRM-LC-0001-TR10X2
Tr10x3	10	16.0	38.1	28.3	5.2	28.3	4.8	JFRM-LC-0001-TR10X3
Tr12x3	12	20	41.2	31.8	4.8	44.0	7.0	JFRM-LC-0001-TR12X3
Tr14x3	14	20	41.2	31.8	4.8	44.0	7.0	JFRM-LC-0001-TR14X3
Tr14x4	14	20	41.2	31.8	4.8	44.0	7.0	JFRM-LC-0001-TR14X4
<b>Multi start</b>								
Tr06x2P1	6	10.0	28.5	22.2	3.7	25.0	4.1	JFRM-LC-0001-TR06X2P1
Tr12x6P3	12	20	41.2	31.8	4.8	44.0	7.0	JFRM-LC-0001-TR12X6P3

<sup>156)</sup> Tolerances according to DIN ISO 2768-1, tolerance class m (medium)



## drylin® lead screw technology – Special designs

Angular compensation with spherical balls

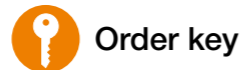
With "Fast Forward" quick release mechanism

Split lead screw nuts

Accessories for lead screw nuts and lead screws

Lubrication and maintenance-free





Order key

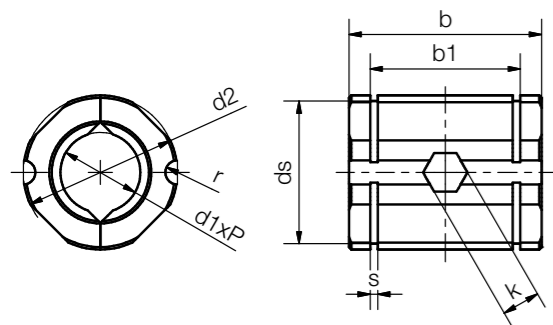
Part number	Dimension	Thread
-------------	-----------	--------

J T R M- 22 30 -TR 10X2

igidur® material	Split nut	Hand of rotation	Metric	d2	b1	Trapezoidal thread	Diameter [mm]	Pitch
------------------	-----------	------------------	--------	----	----	--------------------	---------------	-------



This part includes 2 nut halves and 1 piece nut each based on DIN 934 made from 304 stainless steel to prevent twisting



### Technical data

Part No.	max. axial load		Mounting with nut
	static <sup>50)</sup> [N]	static <sup>51)</sup> [N]	
JTRM-2230TR10X2	300	500	DIN 934 M4
JTRM-3240TR20X4	1,000	1,500	M5
JTRM-3240TR20X8P4	1,000	1,500	M5

### Dimensions [mm]

Thread	b	b1 <sup>156)</sup>	d2	ds	k	r	s	Part No.
Tr10x2	30	22.6	22	20.5	7	1.5	1.3	JTRM-2230TR10X2
Tr20x4	40	31.2	32	29.6	8	2.5	1.6	JTRM-3240TR20X4
Tr20x8P4	40	31.2	32	29.6	8	2.5	1.6	JTRM-3240TR20X8P4

<sup>50)</sup> Mounting in the housing via radially inserted nut DIN 934

<sup>51)</sup> Mounting in the housing via circlips DIN 471

<sup>156)</sup> Tolerances according to DIN ISO 2768-1, tolerance class m (medium)

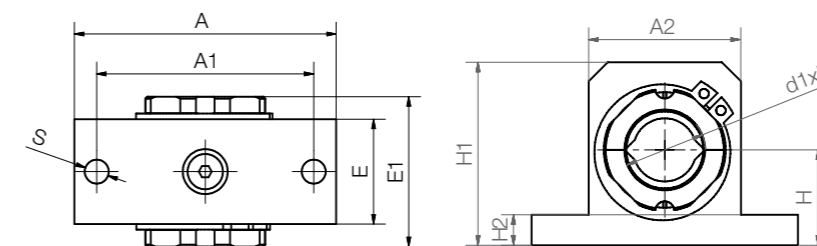


Order key

Part number	Thread
-------------	--------

RG A S - J T R M-TR 10X2

Linear housing	Aluminium	Small	igidur® material	Split nut	Hand of rotation	Metric	Trapezoidal thread	Diameter [mm]	Pitch
----------------	-----------	-------	------------------	-----------	------------------	--------	--------------------	---------------	-------



### Technical data

Part No.	Nut	Locking ring
RGAS-JTRM-TR10X2	DIN 439 M4	DIN 471-A22
RGAS-JTRM-TR20X4	DIN 439 M5	DIN 471-A32
RGAS-JTRM-TR20X8P4	DIN 439 M5	DIN 471-A32

### Dimensions [mm]

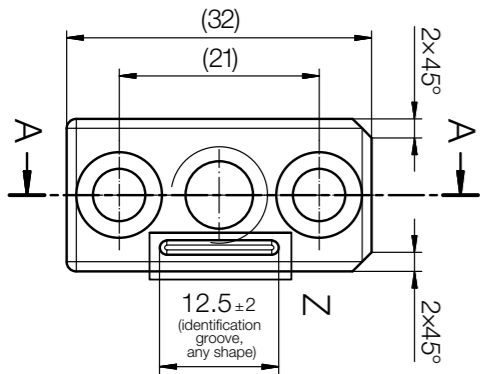
Thread	H	H1	H2	A	A1	A2	E	E1	S	Part No.
Tr10x2	18	35	6	52	42	30	20	32	5.3	RGAS-JTRM-TR10X2
Tr20x4	25	48	8	70	58	40	28	40	6.4	RGAS-JTRM-TR20X4
Tr20x8P4	25	48	8	70	58	40	28	40	6.4	RGAS-JTRM-TR20X8P4

Square lead screw nuts



DST-SHT-1210

SHT-1210-TR



Order key

Order example

DST-SHT-1210-DS10x12- J - □



Options:  
Hand of rotation  
RH: Right-Hand  
LH: Left-hand

Dimensions

Part No.	Hand of rotation		Thread d1xP	From SHT linear module	
	right	left			
DST-SHT-1210-DS10x12-J-□	●	●	Ds10x12	SHT-12	► Page 1372
DST-SHT-1210-DS10x25-J-□	●	●	Ds10x25	SHT-12	► Page 1372
DST-SHT-1210-DS10x50-J-□	●	●	Ds10x50	SHT-12	► Page 1372
SHT-1210-TR10X2-J-□	●	●	Tr10x2	SHT-12	► Page 1372
SHT-1210-TR10X3-J-□	●	●	Tr10x3	SHT-12	► Page 1372

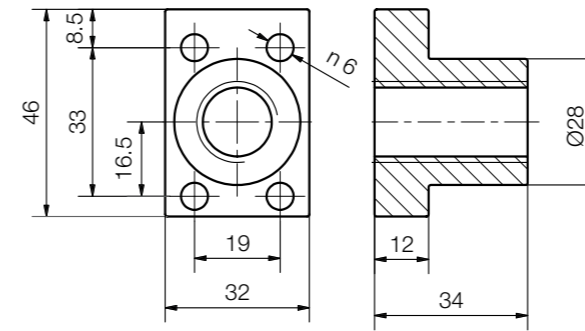
Part number suffix LH for left-hand thread, RH for right-hand thread

Lead screw nuts with flange



DST-SHT-2018

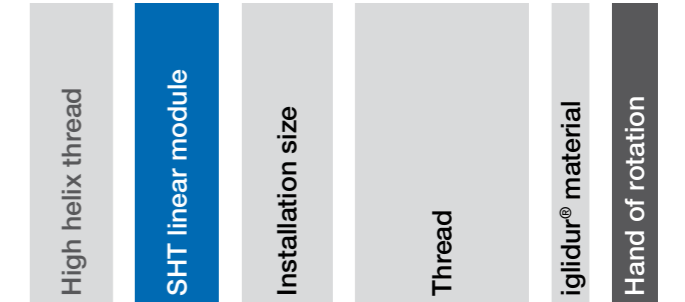
SHT-2018-TR



Order key

Order example

DST-SHT-2018-DS18x24- J - □



Options:  
Hand of rotation  
RH: Right-Hand  
LH: Left-hand

Please note: not symmetrical

Dimensions

Part No.	Hand of rotation		Thread d1xP	From SHT linear module	
	right	left			
DST-SHT-2018-DS18x24-J-□	●	●	Ds18x24	SHT-20	► Page 1372
DST-SHT-2018-DS18x40-J-□	●	●	Ds18x40	SHT-20	► Page 1372
DST-SHT-2018-DS18x80-J-□	●	●	Ds18x80	SHT-20	► Page 1372
DST-SHT-2018-DS18x100-J-□	●	●	Ds18x100	SHT-20	► Page 1372
SHT-2018-TRM-18X4-□	●	●	Tr18x4	SHT-20	► Page 1372
SHT-2018-TRM-18X8-□	●	●	Tr18x8p4	SHT-20	► Page 1372

Part number suffix LH for left-hand thread, RH for right-hand thread

Lead screw nuts



DST-SLW-063001      SWZ-063009

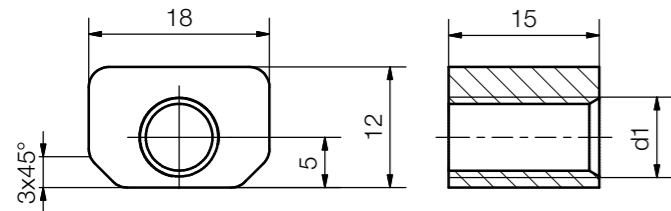
Order key

Order example

DST-SLW-063001-DS8x10-□



Options:  
Hand of rotation  
RH: Right-Hand  
LH: Left-hand



Dimensions

Part No.	Hand of rotation		Thread d1xP	From SLW linear module
	right	left		
DST-SLW-063001-DS8x10-□	●	●	Ds8x10	SLW-0630 ► Page 1386
DST-SLW-063001-DS8x15-□	●	●	Ds8x15	SLW-0630 ► Page 1386
SWZ-063001	●	–	M8	SLW-0630 ► Page 1386
SWZ-063003	–	●	M8	SLW-0630 ► Page 1386
SWZ-063009	●	–	Tr8x1.5	SLW-0630 ► Page 1386
SWZ-063010	–	●	Tr8x1.5	SLW-0630 ► Page 1386

Part number suffix LH for left-hand thread, RH for right-hand thread

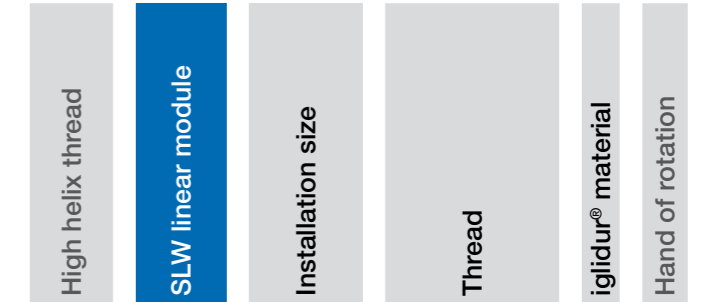
Lead screw nuts



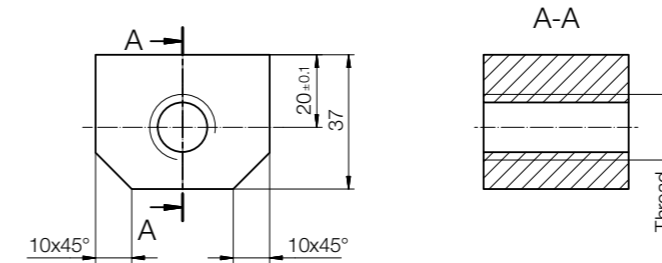
Order key

Order example

DST-SLW-25120-DS18x24- J -□



Options:  
Hand of rotation  
RH: Right-Hand  
LH: Left-hand



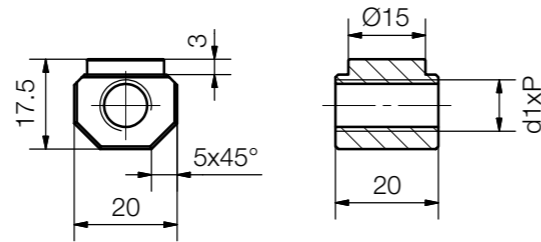
Dimensions

Part No.	Hand of rotation		Thread d1xP	From SLW linear module
	right	left		
DST-SLW-25120-DS18x24-J-□	●	●	Ds18x24	SLW-25120 ► Page 1386
DST-SLW-25120-DS18x40-J-□	●	●	Ds18x40	SLW-25120 ► Page 1386
DST-SLW-25120-DS18x80-J-□	●	●	Ds18x80	SLW-25120 ► Page 1386
DST-SLW-25120-DS18x100-J-□	●	●	Ds18x100	SLW-25120 ► Page 1386

Part number suffix LH for left-hand thread, RH for right-hand thread



DST-SLW-1040 SWZ-W-10XX

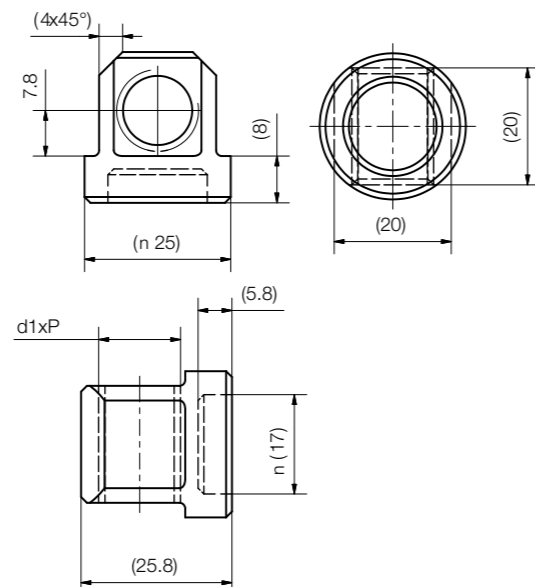


Dimensions

Part No.	Thread d1xP	Hand of rotation	From SLW linear module
DST-SLW-1040-DS10X12-J-RH <b>New</b>	Ds10x12	right-hand	SLW-1040 ► Page 1386
DST-SLW-1040-DS10X12-J-LH <b>New</b>	Ds10x12	left-hand	SLW-1040 ► Page 1386
DST-SLW-1040-DS10X25-J-RH <b>New</b>	Ds10x25	right-hand	SLW-1040 ► Page 1386
DST-SLW-1040-DS10X25-J-LH <b>New</b>	Ds10x25	left-hand	SLW-1040 ► Page 1386
DST-SLW-1040-DS10X50-J-RH <b>New</b>	Ds10x50	right-hand	SLW-1040 ► Page 1386
DST-SLW-1040-DS10X50-J-LH <b>New</b>	Ds10x500	left-hand	SLW-1040 ► Page 1386
SWZ-W-104003	Tr10x2	right-hand	SLW-1040 ► Page 1386
SWZ-W-104004	Tr10x2	left-hand	SLW-1040 ► Page 1386
SWZ-W-104009	TR10x3	right-hand	SLW-1040 ► Page 1386
SWZ-W-104015	Tr10x3	left-hand	SLW-1040 ► Page 1386



SWZ-W-16XX

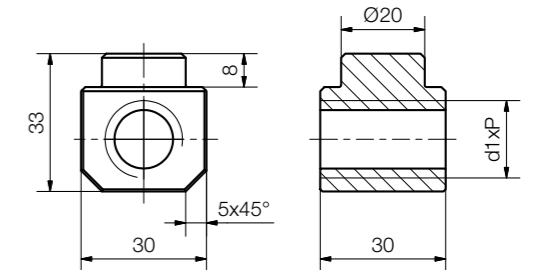


Dimensions

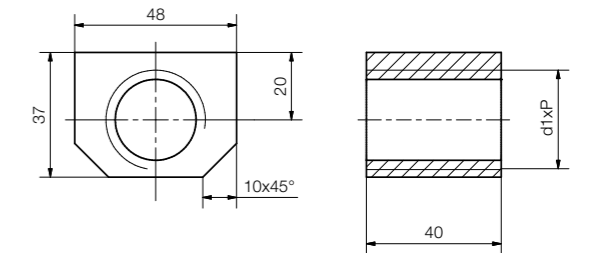
Part No.	Thread d1xP	Hand of rotation	From SLW linear module
SWZ-W-166001	TR14x4	right-hand	SLW-1660 ► Page 1386
SWZ-W-166002	Tr14x3	right-hand	SLW-1660 ► Page 1386
SWZ-W-166003	Tr14x4	left-hand	SLW-1660 ► Page 1386



DST-SLW-2080 SWZ-W-20XX



SWZ-W-2080..



SWZ-W-25120..

Part No.	Thread d1xP	Hand of rotation	From SLW linear module
DST-SLW-2080-DS18X24-J-RH <b>New</b>	Ds18x24	right-hand	SLW-2080 ► Page 1386
DST-SLW-2080-DS18X24-J-LH <b>New</b>	Ds18x24	left-hand	SLW-2080 ► Page 1386
DST-SLW-2080-DS18X40-J-RH <b>New</b>	Ds18x40	right-hand	SLW-2080 ► Page 1386
DST-SLW-2080-DS18X40-J-LH <b>New</b>	Ds18x40	left-hand	SLW-2080 ► Page 1386
DST-SLW-2080-DS18X80-J-RH <b>New</b>	Ds18x80	right-hand	SLW-2080 ► Page 1386
DST-SLW-2080-DS18X80-J-LH <b>New</b>	Ds18x80	left-hand	SLW-2080 ► Page 1386
DST-SLW-2080-DS18X100-J-RH <b>New</b>	Ds18x100	right-hand	SLW-2080 ► Page 1386
DST-SLW-2080-DS18X100-J-LH <b>New</b>	Ds18x100	left-hand	SLW-2080 ► Page 1386
SWZ-W-208003	Tr18x4	right-hand	SLW-2080 ► Page 1386
SWZ-W-208004	Tr18x4	left	SLW-2080 ► Page 1386
SWZ-W-208008	Tr18x8p4	right-hand	SLW-2080 ► Page 1386
SWZ-W-208009	Tr18x8p4	left-hand	SLW-2080 ► Page 1386
SWZ-W-2512001 <sup>119)</sup>	Tr24x5	right-hand	SLW-25120 ► Page 1386
SWZ-W-2512002 <sup>119)</sup>	Tr24x5	left-hand	SLW-25120 ► Page 1386

<sup>119)</sup> Without locating spigot

# drylin® | Special geometries | Product range

Angular compensation lead screw nut with spherical ball  
in flanged bearing housing



Part number Thread

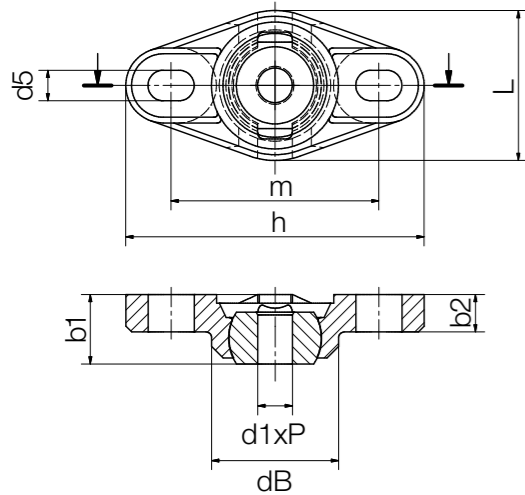
**J F R K M-EFOM-TR 8X1.5**

iglidur® material	Form F	Hand of rotation	Dimensional series K	Metric	Flanged bearing housing	Trapezoidal thread	Diameter [mm]	Pitch
-------------------	--------	------------------	----------------------	--------	-------------------------	--------------------	---------------	-------

Options:

DS: High helix thread

TR: Trapezoidal thread



## Dimensions [mm] – trapezoidal thread

Thread	Effective support surface [mm²]	d1 <sup>156)</sup>	h	L	b1 <sup>156)</sup>	b2	m	dB	d5	Max. static axial F [N]	Pivoting angle		Part No.
											stat.	dyn.	
Tr8x1.5	102	8	52	26	12	6.5	36	22.2	5.3x8	100	25°	30°	JFRKM-EFOM-TR8X1.5
Tr10x2	127	10	52	26	12	6.5	36	22.2	5.3x8	100	25°	30°	JFRKM-EFOM-TR10X2
Tr10x3	120	10	52	26	12	6.5	36	22.2	5.3x8	100	25°	30°	JFRKM-EFOM-TR10X3

## Dimensions [mm] – high helix thread

Thread	Effective support surface [mm²]	d1 <sup>156)</sup>	h	L	b1 <sup>156)</sup>	b2	m	dB	d5	Max. static axial F [N]	Pivoting angle		Part No.
											stat.	dyn.	
Ds8x15	61	8	52	26	12	6.5	36	22.2	5.3x8	50	25°	30°	JFRKM-EFOM-DS8X15
Ds10x12	82	10	52	26	12	6.5	36	22.2	5.3x8	50	25°	30°	JFRKM-EFOM-DS10X12

<sup>156)</sup> Tolerances according to DIN ISO 2768-1, tolerance class m (medium)

# drylin® | Special geometries | Product range

Angular compensation lead screw nut with spherical ball  
in pillow block bearing housing



Part number Thread

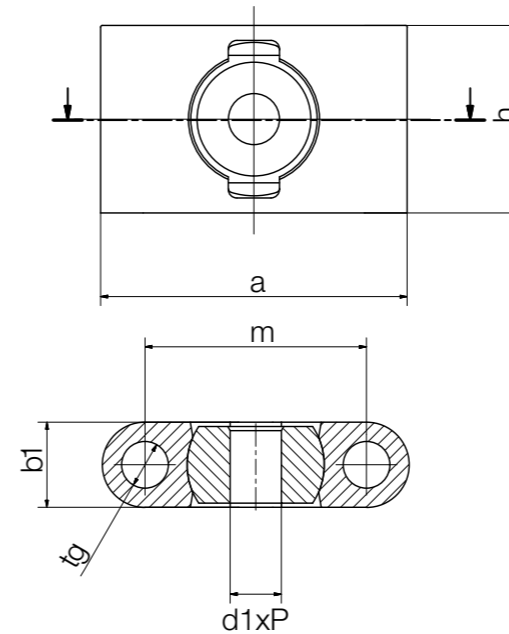
**J F R K M-ESTM-TR 8X1.5**

iglidur® material	Form F	Hand of rotation	Dimensional series K	Metric	Pillow block bearing housing	Trapezoidal thread	Diameter [mm]	Pitch
-------------------	--------	------------------	----------------------	--------	------------------------------	--------------------	---------------	-------

Options:

DS: High helix thread

TR: Trapezoidal thread



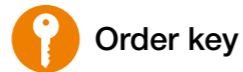
## Dimensions [mm] – trapezoidal thread

Thread	Effective support surface [mm²]	h	a	b1 <sup>156)</sup>	m	tg	Max. static axial F [N]	Pivoting angle		Part No.
								stat.	dyn.	
Tr8x1.5	102	22	36	10	26	5.5	100	25°	30°	JFRKM-ESTM-TR8X1.5
Tr10x2	127	22	36	10	26	5.5	100	25°	30°	JFRKM-ESTM-TR10X2
Tr10x3	120	22	36	10	26	5.5	100	25°	30°	JFRKM-ESTM-TR10X3

## Dimensions [mm] – high helix thread

Thread	Effective support surface [mm²]	h	a	b1 <sup>156)</sup>	m	tg	Max. static axial F [N]	Pivoting angle		Part No.
								stat.	dyn.	
Ds8x15	61	22	36	10	26	5.5	50	25°	30°	JFRKM-ESTM-DS8X15
Ds10x12	82	22	36	10	26	5.5	50	25°	30°	JFRKM-ESTM-DS10X12

<sup>156)</sup> Tolerances according to DIN ISO 2768-1, tolerance class m (medium)



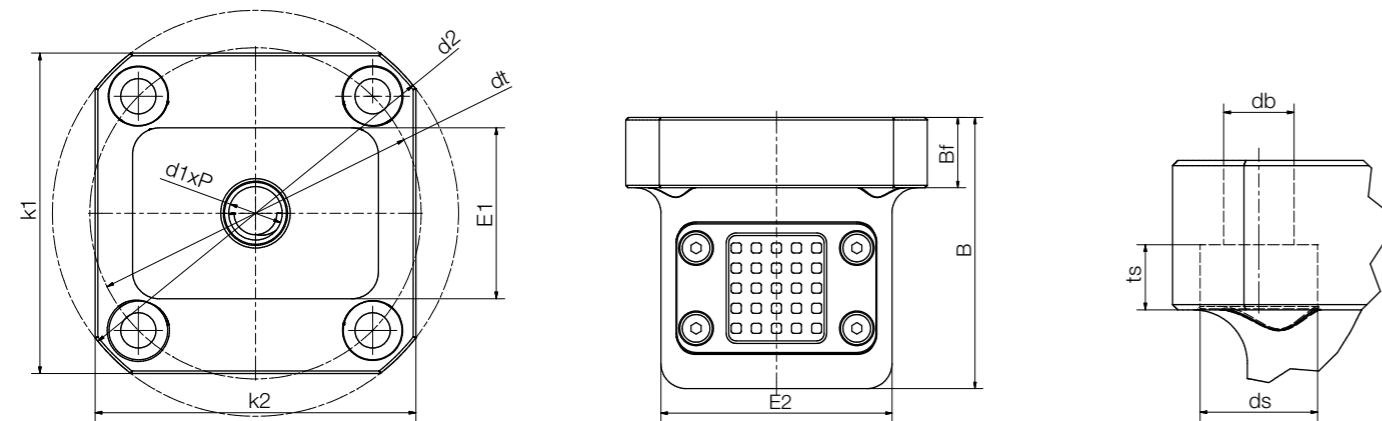
Part number Thread

**F T R M- FF - 10X2**

Form F	Trapezoidal thread	Hand of rotation	Metric	Fast Forward	Diameter	Pitch
--------	--------------------	------------------	--------	--------------	----------	-------

Quick release mechanism: A combination of accurate positioning and fast manual adjustment with trapezoidal lead screw nuts.

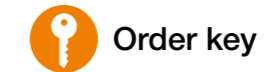
- For quick format adjustments
- Incl. 'stop/go' through automatic self-locking with thread
- Housing: AL anodised, lead screw nut made from iglidur® J
- Tough and reliable
- Only recommended for horizontal applications
- Max. axial load stat.: 200N, dyn.: 50N  
see SHT-FF ► Page 1380



Dimensions [mm]

Thread	d2 <sup>156)</sup>	dt	B	Bf	ts	db	ds	k1	k2	E1	E2	Part No.
Tr10x2	76	62	54	14	6.1	6.6	11	60	60	32	46	FTRM-FF-10X2

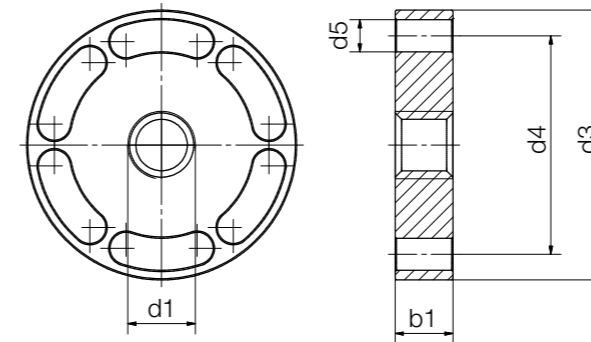
<sup>156)</sup> Tolerances according to DIN ISO 2768-1, tolerance class m (medium)



Type d3 b1 Thread

**J D R M- 42 09 TR 10X2**

iglidur® material	Form: disc	Hand of rotation	Metric	Outer Ø [mm]	Height [mm]	Trapezoidal thread	Diameter	Pitch
-------------------	------------	------------------	--------	--------------	-------------	--------------------	----------	-------



Material properties:  
iglidur® J ► Page 159

Technical data and dimensions [mm]

Thread	Effective supporting surface [mm²]	Max. stat. axial F <sup>49)</sup> [N]	d1 <sup>156)</sup>	d3	d4	d5	b1 <sup>156)</sup>	Weight [g]	Part No.
Tr10x2	127	508	10	42	34	5	9	17.5	JDRM-4209TR10X2
Tr12x3	181	724	12	48	38	6	11	27.8	JDRM-4811TR12X3
Tr14x4	207	828	14	48	38	6	11	27.1	JDRM-4811TR14X4
Tr16x4	241	964	16	48	38	6	11	26.4	JDRM-4811TR16X4
Tr18x4	276	1,104	18	48	38	6	11	25.5	JDRM-4811TR18X4
Tr20x4	367	1,468	20	55	45	7	13	39.9	JDRM-5513TR20X4
Tr24x5	439	1,756	24	55	45	7	13	37.3	JDRM-5513TR24X5
Tr30x6	551	2,204	30	62	50	7	14	48.2	JDRM-6214TR30X6
Tr36x6	829	3,316	36	70	58	7	16	67.5	JDRM-7016TR36X6

<sup>49)</sup> Max. stat. F axial can be added when used with flange nut

<sup>156)</sup> Tolerances according to DIN ISO 2768-1, tolerance class m (medium)



Order key

Part number

MH-1210-AL-TR10X2-R-J

Lead screw nut housings	Nut design (see drawing)	Aluminium	Thread size	Right-hand thread	iglidur® J nut
-------------------------	--------------------------	-----------	-------------	-------------------	----------------

- Standard lead screw nuts secured with fixing screws
- Can be fixed from above
- One housing is suitable for many thread geometries
- Limitless combinations

MHM-2835-AL-□ / MHM-3244-AL-□



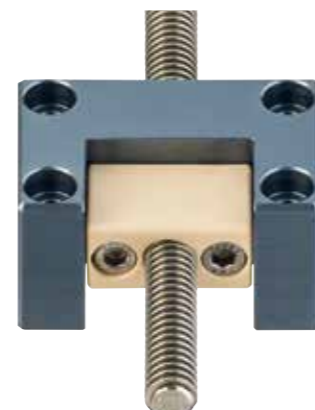
MHM-ZB0810-AL-□



MHM-2018-AL-□

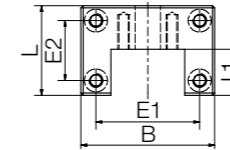
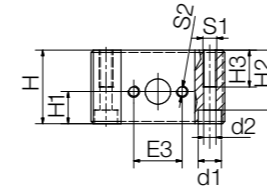


MHM-1210-AL-□

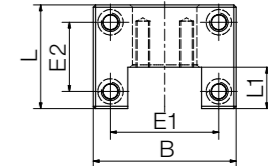
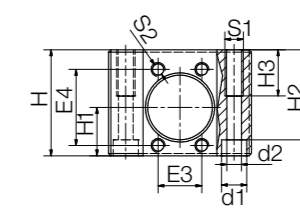


**i** Please use MHM (Assembled lead screw nut housing, including lead screw nut) for fully assembled systems. Order example: MHM-1210-AL-TR10x2-R-J

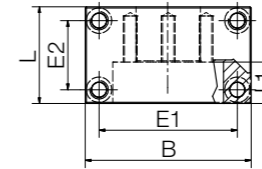
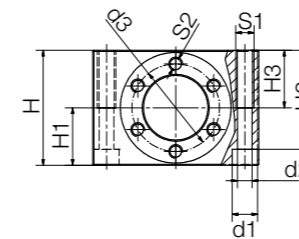
MH-1210-AL



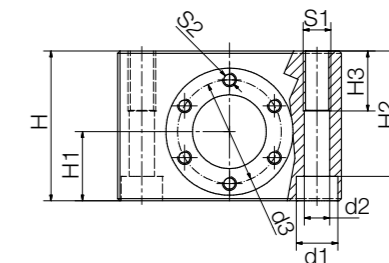
MH-2018-AL



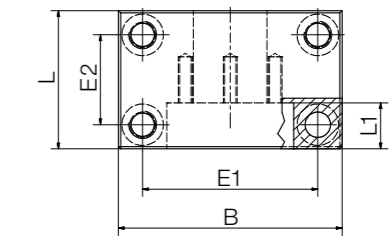
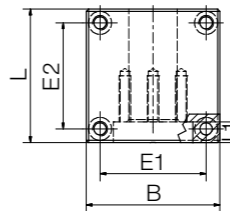
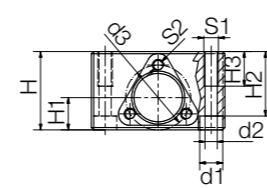
MH-2835-AL



MH-3244-AL



MH-ZB0810-AL



Dimensions [mm]

Part No.	H	H1	H2	H3	S1	S2	B	L	L1	E1	E2	E3	E4	d1	d2	d3	Can be combined with SLS
							±0.3	±0.3		±0.15	±0.15						
MH-1210-AL	32	14	26	16	M6	M5	58	39	20	45	26	21	-	10	5.3	-	●
MH-2018-AL	46	21	39	20	M8	M6	62	45	18	47	30	19	33	11	6.4	-	●
MH-2835-AL	50	25	43	25	M8	M6	72	42	18	60	30	-	-	11	6.4	38	-
MH-3244-AL	65	30	54.4	26	M12	M6	97	60	20	76	39	-	-	18	11	45	●
MH-ZB0810-AL	34	14	28	15	M6	M5	58	34	9	46	46	-	-	10	5.3	28.2	●

Part No.	Nut design	Thread size
MH-1210-AL	SHT-1210-TRM	Tr10x2 / Tr10x3 / Ds10x12 / Ds10x50
MH-2018-AL	SHT-2018-TRM	Tr18x4 / Tr18x8P4 / Ds18x24 / Ds18x100
MH-2835-AL	FRM-2835	Tr12x3 / Tr12x6P3 / Ds12x25 / Tr14x3 / Tr14x4 / Tr16x2 / Tr16x4 / Tr16x8P4 / Tr18x4 / Tr18x8P4 / Ds18x24 / Ds18x100
MH-3244-AL	FRM-3244	Tr20x4 / Tr20x8P4 / Tr24x5
MH-ZB0810-AL	Zero-backlash	Ds08x10 / Ds08x15 / Ds10x12 / Ds10x50





Order key

Part No.	Thread	Options
----------	--------	---------

**SLS - 10X2 - FL - LH**

Lead screw support block	Diameter	Pitch	Fixed bearing	Option left-hand thread
--------------------------	----------	-------	---------------	-------------------------

Options:

- FL: Fixed bearing
- LL: Floating bearing
- LH: Left-hand thread option only for Tr10x2, Tr10x3, Tr18x4, Tr24x5



Scope of delivery: Anodised lead screw support block

- FL: Fixed bearing with anodised clamping ring with RH thread (standard) and maintenance-free iglidur® plain bearing<sup>52)</sup>
- LL: Floating bearing with maintenance-free iglidur® plain bearing

### Technical data and dimensions [mm] – (for both right and left-hand threads)

Part No.	Weight [g]	Max. static load capacity axial [N]	S1	S2	S3
SLS-10X2-FL (LH)	88	700	M8	-	-
SLS-10X2-LL	115	-	M8	M4	M6
SLS-10X3-FL (LH)	88	700	M8	-	-
SLS-10X3-LL	115	-	M8	M4	M6
SLS-10X12-FL	88	700 <sup>53)</sup>	M8	-	-
SLS-10X12-LL	115	-	M8	M4	M6
SLS-10X50-FL	88	700 <sup>53)</sup>	M8	-	-
SLS-10X50-LL	115	-	M8	M4	M6
SLS-12X3-FL <b>New</b>	205	1,600	M12	-	-
SLS-12X3-LL <b>New</b>	295	-	M12	M4	M6
SLS-14X3-FL <b>New</b>	205	1,600	M12	-	-
SLS-14X3-LL <b>New</b>	295	-	M12	M4	M6
SLS-14X4-FL <b>New</b>	205	1,600	M12	-	-
SLS-14X4-LL <b>New</b>	295	-	M12	M4	M6
SLS-16X2-FL <b>New</b>	205	1,600	M12	-	-
SLS-16X2-LL <b>New</b>	295	-	M12	M4	M6
SLS-16X4-FL <b>New</b>	205	1,600	M12	-	-
SLS-16X4-LL <b>New</b>	295	-	M12	M4	M6

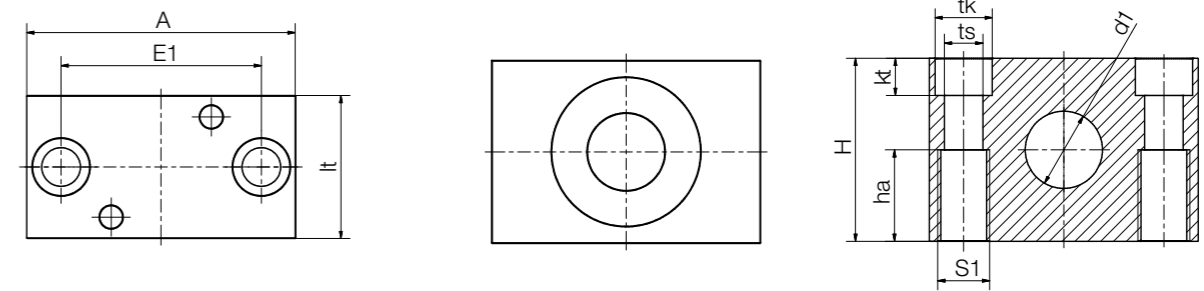
<sup>52)</sup> FL lead screw support block with trapezoidal thread TR10x2, TR10x3, TR18x4, TR24x5 lead screw also available with clamping rings with left-hand thread

<sup>53)</sup> Can exceed max. stat. load of the nut

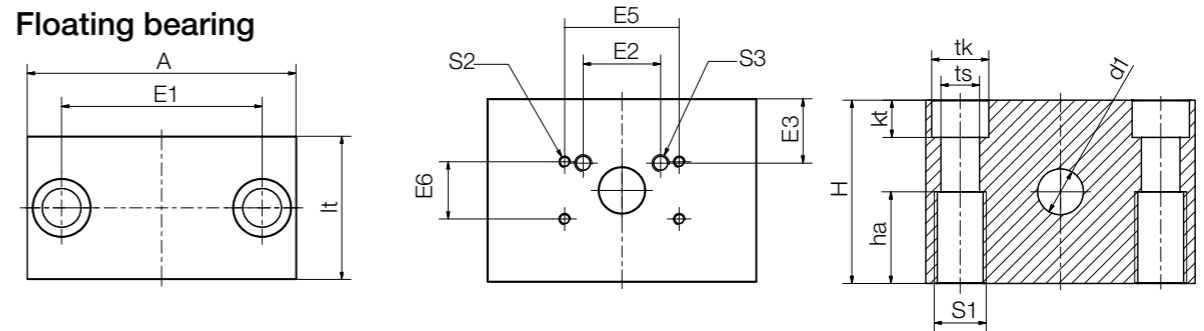
<sup>54)</sup> Lead screw end must be turned to d1 value

<sup>55)</sup> Lead screw end must be turned to 18mm

### Fixed bearing



### Floating bearing



► Page 1447

### Dimensions [mm] – (for both right and left-hand threads)

A	H	E1	E2	E3	E5	E6	lt	kt	tk	ts	d1	ha
50	32	36	-	-	-	-	30	6.5	11	6.6	10	16
50	32	36	27	6.5	40	20	30	6.5	11	6.6	10	16
50	32	36	-	-	-	-	30	6.5	11	6.6	10	16
50	32	36	27	6.5	40	20	30	6.5	11	6.6	10	16
50	32	36	-	-	-	-	30	6.5	11	6.6	10	16
50	32	36	27	6.5	40	20	30	6.5	11	6.6	10	16
50	32	36	-	-	-	-	30	6.5	11	6.6	10	16
50	32	36	27	6.5	40	20	30	6.5	11	6.6	10	16
72	46	54	-	-	-	-	36	8.6	15	9	12	23
72	46	54	27	13.5	40	20	36	8.6	15	9	12	23
72	46	54	-	-	-	-	36	8.6	15	9	14	23
72	46	54	27	13.5	40	20	36	8.6	15	9	14	23
72	46	54	-	-	-	-	36	8.6	15	9	14	23
72	46	54	27	13.5	40	20	36	8.6	15	9	14	23
72	46	54	-	-	-	-	36	8.6	15	9	16	23
72	46	54	27	13.5	40	20	36	8.6	15	9	12	23
72	46	54	-	-	-	-	36	8.6	15	9	16	23
72	46	54	27	13.5	40	20	36	8.6	15	9	12	23

Technical data and dimensions [mm] – (for both right and left-hand threads)

Part No.	Weight [g]	Max. static load capacity axial [N]	S1	S2	S3
SLS-18X4-FL (LH)	205	1,600	M12	–	–
SLS-18X4-LL <sup>54)</sup>	295	–	M12	M4	M6
SLS-18X8P4-FL	205	1,600	M10	–	–
SLS-18X8P4-LL <sup>54)</sup>	295	–	M10	M4	M6
SLS-18X24-FL <sup>55)</sup>	205	1,600 <sup>53)</sup>	M10	–	–
SLS-18X24-LL <sup>54)</sup>	295	–	M10	M4	M6
SLS-18X100-FL <sup>55)</sup>	205	1,600 <sup>53)</sup>	M10	–	–
SLS-18X100-LL <sup>54)</sup>	295	–	M10	M4	M6
SLS-20X4-FL <b>New</b>	525	2,500	M16	–	–
SLS-20X4-LL <b>New</b>	725	–	M16	M4	M6
SLS-24X5-FL (LH)	525	2,500	M16	–	–
SLS-24X5-LL <sup>54)</sup>	725	–	M16	M4	M6
<b>Lead screw support blocks with plain bearings (clamping rings without thread)</b>					
SLS-S6-FL <b>New</b>	115	–	M8	–	–
SLS-S6-LL <b>New</b>	88	150	M8	M4	M6
SLS-S6.35-FL <b>New</b>	115	–	M8	–	–
SLS-S6.35-LL <b>New</b>	88	150	M8	M4	M6
SLS-S8-FL <b>New</b>	115	–	M8	–	–
SLS-S8-LL <b>New</b>	88	500	M8	M4	M6
SLS-S10-FL <b>New</b>	88	700	M8	–	–
SLS-S10-LL <b>New</b>	115	–	M8	M4	M6
SLS-S12-FL <b>New</b>	205	1,600	M12	–	–
SLS-S12-LL <b>New</b>	295	–	M12	M4	M6
SLS-S14-FL <b>New</b>	205	1,600	M12	–	–
SLS-S14-LL <b>New</b>	295	–	M12	M4	M6
SLS-S16-FL <b>New</b>	205	1,600	M12	–	–
SLS-S16-LL <b>New</b>	295	–	M12	M4	M6
SLS-S18-FL <b>New</b>	205	1,600	M12	–	–
SLS-S18-LL <b>New</b>	295	–	M12	M4	M6
SLS-S20-FL <b>New</b>	525	2,500	M16	–	–
SLS-S20-LL <b>New</b>	725	–	M16	M4	M6

<sup>53)</sup> Can exceed max. stat. load of the nut

<sup>54)</sup> Lead screw end must be turned to d1 value

<sup>55)</sup> Lead screw end must be turned to 18mm

A	H	E1	E2	E3	E5	E6	lt	kt	tk	ts	d1	ha
72	46	54	–	–	–	–	36	8.6	15	9.0	18	23
72	46	54	27	13.5	40	20	36	8.6	15	9.0	12	23
72	46	54	–	–	–	–	36	8.6	15	9.0	18	23
72	46	54	27	13.5	40	20	36	8.6	15	9.0	12	23
72	46	54	–	–	–	–	36	8.6	15	9.0	18	23
72	46	54	27	13.5	40	20	36	8.6	15	9.0	12	23
72	46	54	–	–	–	–	36	8.6	15	9.0	18	23
72	46	54	27	13.5	40	20	36	8.6	15	9.0	12	23
94	64	70	–	–	–	–	50	13	20	13.5	12	32
94	64	70	27	22.5	40	20	50	13	20	13.5	20	32
94	64	70	–	–	–	–	50	13	20	13.5	24	32
94	64	70	27	22.5	40	20	50	13	20	13.5	14	32
<b>Lead screw support blocks with plain bearings (clamping rings without thread)</b>												
50	32	36	–	–	–	–	30	6.5	11	6.6	6	16
50	32	36	27	6.5	40	20	30	6.5	11	6.6	6	16
50	32	36	–	–	–	–	30	6.5	11	6.6	6.35	16
50	32	36	27	6.5	40	20	30	6.5	11	6.6	6.35	16
50	32	36	–	–	–	–	30	6.5	11	6.6	8	16
50	32	36	27	6.5	40	20	30	6.5	11	6.6	8	16
50	32	36	–	–	–	–	30	6.5	11	6.6	10	16
50	32	36	27	6.5	40	20	30	6.5	11	6.6	10	16
72	46	54	–	–	–	–	36	8.6	15	9.0	12	23
72	46	54	27	13.5	40	20	36	8.6	15	9.0	12	23
72	46	54	–	–	–	–	36	8.6	15	9.0	14	23
72	46	54	27	13.5	40	20	36	8.6	15	9.0	14	23
72	46	54	–	–	–	–	36	8.6	15	9.0	12	23
72	46	54	27	13.5	40	20	36	8.6	15	9.0	16	23
72	46	54	–	–	–	–	36	8.6	15	9.0	12	23
72	46	54	27	13.5	40	20	36	8.6	15	9.0	18	23
94	64	70	–	–	–	–	50	13.0	20	13.5	12	32
94	64	70	27	22.5	40	20	50	13.0	20	13.5	20	32



Part No. Thread Options

**SLS - 10X2 - BB**

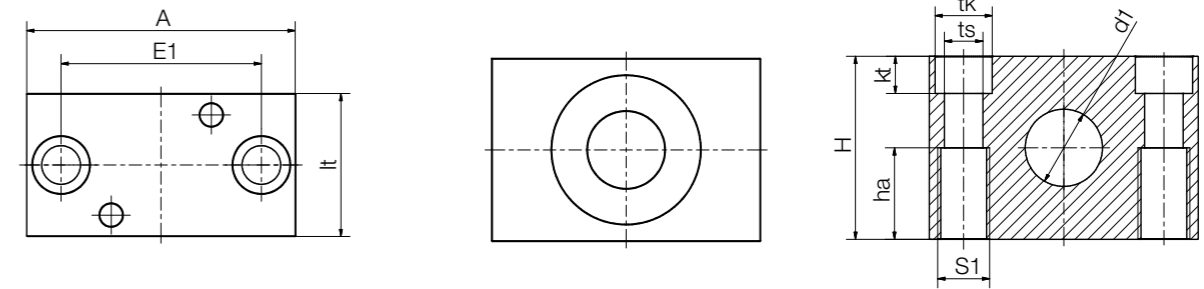
Lead screw support block  
Diameter  
Pitch  
Ball bearing

Options:  
**BB:** Ball bearings  
**FL:** Fixed bearing  
**LL:** Floating bearing

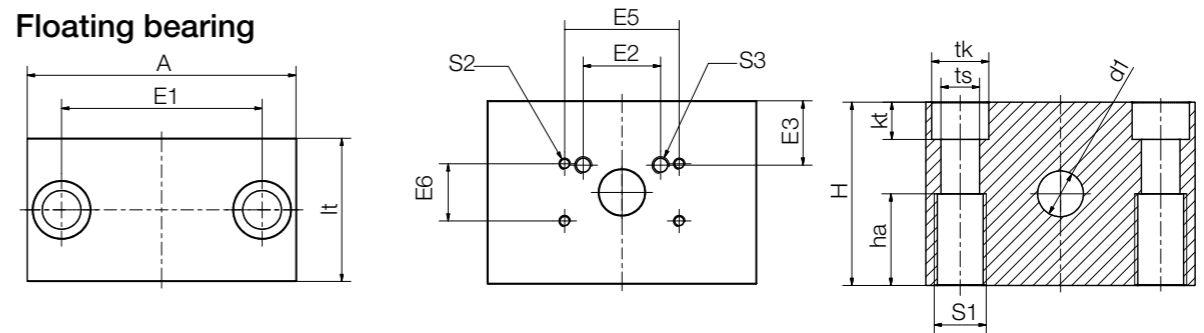


► Page 1447

### Fixed bearing



### Floating bearing



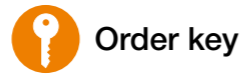
### Technical data and dimensions, ball bearing [mm]

Part No.	Weight [g]	Max. stat. load capacity axial [N]	S1	S2	
SLS-S6-BB	New	110	150	M8	M4
SLS-S6.35-BB	New	110	150	M8	M4
SLS-S8-BB	New	110	350	M8	M4
SLS-S10-BB	New	110	350	M8	M4
SLS-S12-BB	New	265	1,000	M12	M4
SLS-S14-BB	New	265	1,000	M12	M4
SLS-S16-BB	New	265	1,000	M12	M4
SLS-S18-BB	New	265	1,000	M12	M4
SLS-S20-BB	New	350	1,500	M16	M4
SLS-10X2-BB		110	350	M8	M4
SLS-10X3-BB	New	110	350	M8	M4
SLS-10X12-BB		110	350	M8	M4
SLS-10X50-BB		110	350	M8	M4
SLS-12X3-BB	New	265	1,000	M12	M4
SLS-14X4-BB	New	265	1,000	M12	M4
SLS-16X2-BB	New	265	1,000	M12	M4
SLS-16X4-BB	New	265	1,000	M12	M4
SLS-18X4-BB	New	265	1,000	M12	M4
SLS-18X8P4-BB		265	1,000	M10	M4
SLS-18X24-BB <sup>55)</sup>		265	1,000	M10	M4
SLS-18X100-BB <sup>55)</sup>		265	1,000	M10	M4
SLS-20X4-BB	New	350	1,500	M16	M4
SLS-24X5-BB		350	1,500	M16	M4

<sup>55)</sup> Lead screw end must be turned to 18mm

### Dimensions, ball bearing [mm]

A	H	E1	E5	E6	lt	kt	tk	ts	d1	ha
50	32	36	40	20	30	6.5	11	6.6	6	16
50	32	36	40	20	30	6.5	11	6.6	6.35	16
50	32	36	40	20	30	6.5	11	6.6	8	16
50	32	36	40	20	30	6.5	11	6.6	10	16
72	46	54	48	36	36	8.6	15	9.0	12	23
72	46	54	48	36	36	8.6	15	9.0	14	23
72	46	54	48	36	36	8.6	15	9.0	16	23
72	46	54	48	36	36	8.6	15	9.0	18	23
94	64	70	48	36	50	13.0	20	13.5	20	32
50	32	36	40	20	30	6.5	11	6.6	10	16
50	32	36	40	20	30	6.5	11	6.6	10	16
50	32	36	40	20	30	6.5	11	6.6	10	16
50	32	36	40	20	30	6.5	11	6.6	10	16
72	46	54	48	36	36	8.6	15	9.0	12	23
72	46	54	48	36	36	8.6	15	9.0	14	23
72	46	54	48	36	36	8.6	15	9.0	16	23
72	46	54	48	36	36	8.6	15	9.0	16	23
72	46	54	48	36	36	8.6	15	9.0	18	23
72	46	54	48	36	36	8.6	15	9.0	18	23
72	46	54	48	36	36	8.6	15	9.0	18	23
72	46	54	48	36	36	8.6	15	9.0	18	23
94	64	70	48	36	50	13.0	20	13.5	20	32
94	64	70	48	36	50	13.0	20	13.5	24	32

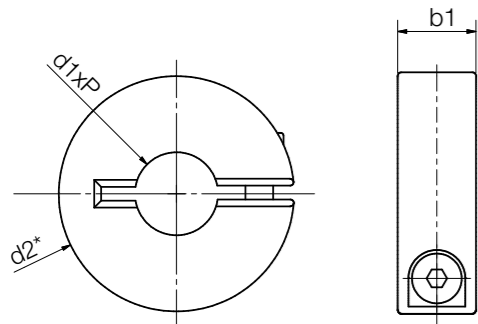


Order key

Part number Thread

**CR R-01-TR 10X2**

Clamping rings	Hand of rotation	Type	Trapezoidal thread	Diameter	Pitch
----------------	------------------	------	--------------------	----------	-------



Dimensions [mm]

Thread	d2 <sup>56)</sup> h9	b1	Max. static axial F [N]	Part No. Right-hand thread
Tr8x1.5	16	9	1,530	CRR-01-TR8X1.5
Tr10x2	24	8	1,800	CRR-01-TR10X2
Tr12x3	28	8	2,096	CRR-01-TR12X3
Tr14x4	30	11	3,312	CRR-01-TR14X4
Tr16x4	34	11	3,840	CRR-01-TR16X4
Tr18x4	36	13	5,216	CRR-01-TR18X4
Tr20x4	45	15	6,784	CRR-01-TR20X4
Tr24x5	45	15	8,096	CRR-01-TR24X5

Thread	d2 <sup>56)</sup> h9	b1	Max. static axial F [N]	Part No. Left-hand thread
Tr8x1.5	16	9	1,530	CRL-01-TR8X1.5
Tr10x2	24	8	1,800	CRL-01-TR10X2
Tr12x3	28	8	2,096	CRL-01-TR12X3
Tr14x4	30	11	3,312	CRL-01-TR14X4
Tr16x4	34	11	3,840	CRL-01-TR16X4
Tr18x4	36	13	5,216	CRL-01-TR18X4
Tr20x4	45	15	6,784	CRL-01-TR20X4
Tr24x5	45	15	8,096	CRL-01-TR24X5

<sup>56)</sup> Outside dimension clamping ring. Screw head may protrude. Installation dimension d2 (+2mm)

Dimensions [mm] – clamping ring without thread

ø	d2	b1	Part No.
10	24	8	KRM-S10-V
12	28	11	KRM-S12-V
14	30	11	KRM-S14-V
16	34	11	KRM-S16-V
18	36	13	KRM-S18-V
24	45	15	KRM-S24-V

