



Order key

| Type | Size [mm] | Options |
|--------------|-----------|--|
| PRT-04- | 50 | -ES-H1 |
| Slewing ring | Design | Inner Ø Body material Sliding elements |

Options:

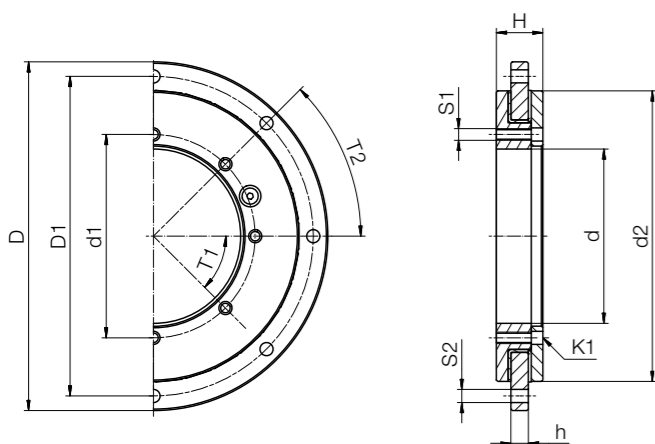
Body material

Blank: Aluminium
ES: 316 stainless steel

Sliding elements

Blank: iglidur® J
H1: iglidur® H1, high temperature
F2: iglidur® F2, ESD-compliant (only in conjunction with stainless steel)
A180: iglidur® A180, FDA-compliant

- High wear resistance
- Replaceable sliding elements
- For high loads and high rigidity



Dimension [mm]

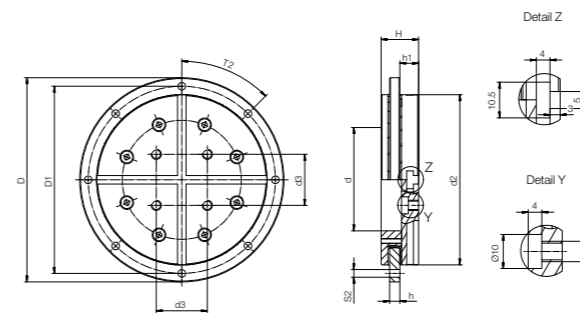
| D | D1 | d1 | d | d2 | H | h | T1 | T2 | S1 | S2 | K1 | Part No. |
|-----|-----|-----|-----|-----|----|---|------------|------------|----|-------|-------|---------------|
| 110 | 100 | 60 | 50 | 90 | 16 | 6 | 8 × 45° | 8 × 45° | M4 | Ø 4.5 | Ø 4.5 | PRT-04-50-ES |
| 120 | 110 | 70 | 60 | 100 | 16 | 6 | 8 × 45° | 8 × 45° | M4 | Ø 4.5 | Ø 4.5 | PRT-04-60-ES |
| 160 | 150 | 110 | 100 | 140 | 16 | 6 | 8 × 45° | 8 × 45° | M4 | Ø 4.5 | Ø 4.5 | PRT-04-100-ES |
| 210 | 200 | 160 | 150 | 190 | 16 | 6 | 16 × 22.5° | 16 × 22.5° | M4 | Ø 4.5 | Ø 4.5 | PRT-04-150-ES |
| 260 | 250 | 210 | 200 | 240 | 16 | 6 | 16 × 22.5° | 16 × 22.5° | M4 | Ø 4.5 | Ø 4.5 | PRT-04-200-ES |
| 360 | 350 | 310 | 300 | 340 | 16 | 6 | 16 × 22.5° | 16 × 22.5° | M4 | Ø 4.5 | Ø 4.5 | PRT-04-300-ES |



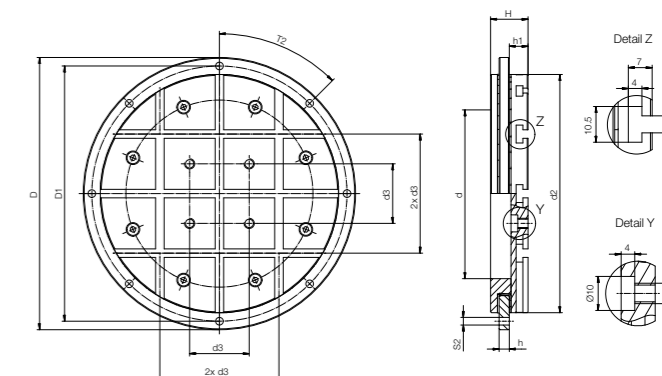
Order key

| Type | Size [mm] | Options |
|--------------|-----------|----------------------|
| PRT-04- | 50 | -T |
| Slewing ring | Design | Inner Ø Slot nuts |

- Available for PRT-01 and PRT-04
- Fast assembly
- Easy positioning with no additional holes



Slot nut profile up to size 60



Slot nut profile from size 100

Dimension [mm]

| D | D1 | d1 | d | d2 | H | h | h1 | T2 | S2 | Part No. |
|-----|-----|-----|-----|-----|----|---|----|------------|-------|--------------|
| 110 | 100 | 60 | 50 | 90 | 22 | 6 | 11 | 8 × 45° | Ø 4.5 | PRT-04-50-T |
| 120 | 110 | 70 | 60 | 100 | 22 | 6 | 11 | 8 × 45° | Ø 4.5 | PRT-04-60-T |
| 160 | 150 | 110 | 100 | 140 | 22 | 6 | 11 | 8 × 45° | Ø 4.5 | PRT-04-100-T |
| 210 | 200 | 160 | 150 | 190 | 22 | 6 | 11 | 16 × 22.5° | Ø 4.5 | PRT-04-150-T |
| 260 | 250 | 210 | 200 | 240 | 22 | 6 | 11 | 16 × 22.5° | Ø 4.5 | PRT-04-200-T |
| 360 | 350 | 310 | 300 | 340 | 22 | 6 | 11 | 16 × 22.5° | Ø 4.5 | PRT-04-300-T |