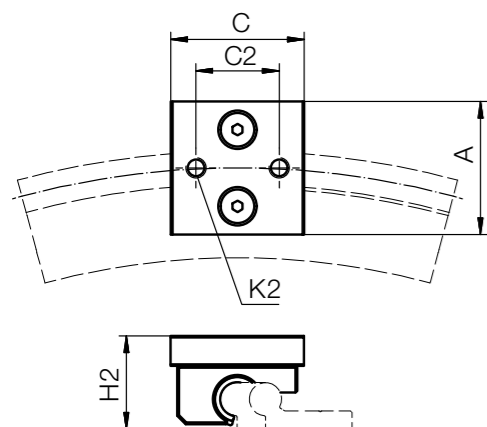


 Order key

Type	Option	Option
------	--------	--------

WI3U B P -01-10-LLZ

drylin® W	Liner material iglidur® I3	Curved	Pre-load	Standard	Size	Floating bearing in y-direction
-----------	----------------------------	--------	----------	----------	------	---------------------------------



Dimensions [mm]

Part No.	Weight [g]	A	C	C2	K2	H2
WI3UBP-01-10	50	40	40	25	M6	28
WI3UBP-01-10-R300-LLZ	44	40	40	25	M6	28
WI3UBP-01-10-R500-LLZ	44	40	40	25	M6	28
WI3UBP-01-10-LLZ	44	40	40	25	M6	28

Can be combined with:



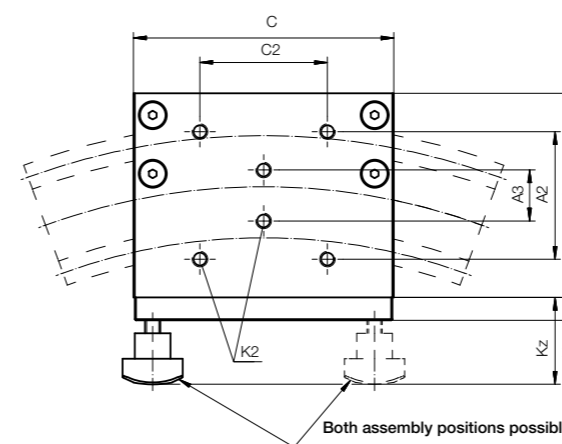
WSB-...

 Order key

Type	Size	Option
------	------	--------

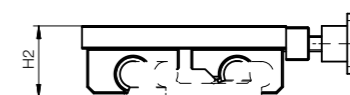
WWB-10-40-10-P-HKA

Guide carriage for curved rails	Shaft Ø	Profile width [mm]	Carriage length [mm]	With spring pre-load	With manual clamp
---------------------------------	---------	--------------------	----------------------	----------------------	-------------------



Options:  
Blank: Standard  
HKA: With manual clamp

 Curved rail profiles  
► Page 962



Technical data and dimensions [mm]

Part No. <sup>64)</sup>	Weight [kg]	A ±0.25	C -0.1	A2	A3	C2	K2	H2	Vz	Kz
WWB-06-30-06	0.31	58	60	30	16	30	M4	20	9	34
WWB-06-30-06-P	0.31	58	60	30	16	30	M4	20	7.5	29
WWB-06-30-06-R300 <sup>143)</sup> -P	0.31	58	60	30	16	30	M4	20	7.5	29
WWB-10-40-10	0.35	80	102	50	20	50	M6	28	9	34
WWB-10-40-10-P	0.35	80	102	50	20	50	M6	28	9	34
WWB-10-40-10-R300 <sup>143)</sup> -P	0.35	80	102	50	20	50	M6	28	9	34

<sup>64)</sup> Optional with manual clamp, suffix "-HKA"

<sup>143)</sup> Optional for 500mm radius = R500

Can be combined with:




WS-...



WS-...-ES-FG



WSB-...

 More information  
► [www.igus.eu/curved](http://www.igus.eu/curved)