

- Aluminium drylin® W guide rails, hard-anodised
- Pre-load SLWE-XY-PL version also available (optional, sizes: 1040/1080)
- Available accessories ► [Page 1503](#)



Order example

SLW-XY-1040-PL

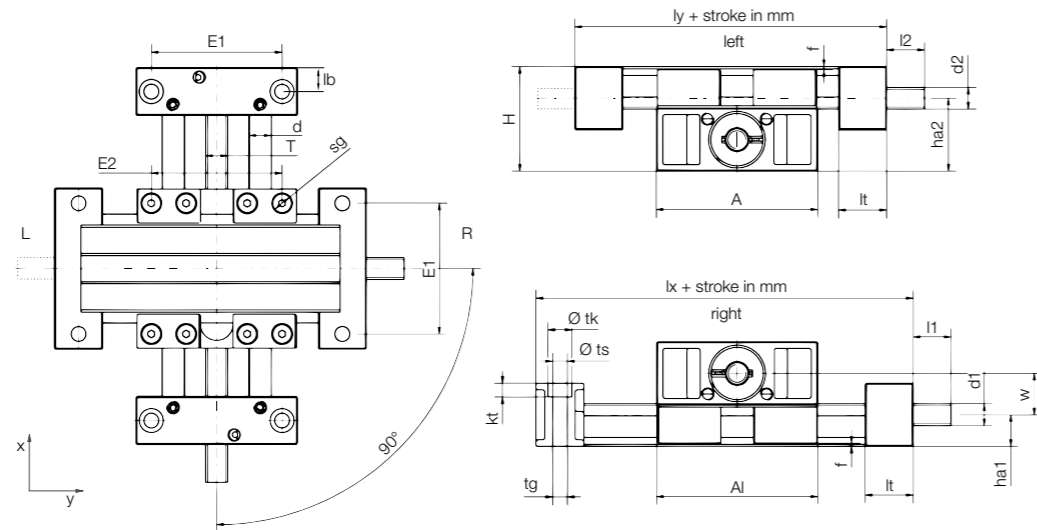
Compact

XY table

Dimension

Preload

Options:
Preload
optional with sizes
1040 and 1080



Select versions and accessories online
► www.igus-asean.com/drylinSLW

Dimensions [mm]

Part No.	Max. stroke length [mm]	A	Al	H	E1	E2	Base length lx	Base length ly	f	lt	lb	tk	ts	tg	kt
SLW-XY-0630	150	-0.3	54	38	40	45	94	94	1.5	20	10	11	6.6	-	8
SLW-XY-1040	300	-0.3	74	48	60	60	117	117	1.5	22	11	11	6.8	M8	6.4
SLW-XY-1080	300	-0.3	108	48	94	94	151	151	1.5	22	11	11	6.8	M8	6.4

Dimensions [mm]

Part No.	sg	d	T	l1	d1	d1	l2	d2	d2	ha1	ha2	W
					Standard	Alternative		Standard	Alternative			ha2-ha1
SLW-XY-0630	M4	5	M8	15	M8	-	15	M8	-	9.5	28.5	18.4
SLW-XY-1040	M6	10	Tr10x2	17	Tr10x2	6 h9	17	Tr10x2	6 h9	14.5	33.5	20
SLW-XY-1080	M6	10	Tr10x2	17	Tr10x2	6 h9	17	Tr10x2	6 h9	14.5	33.5	19

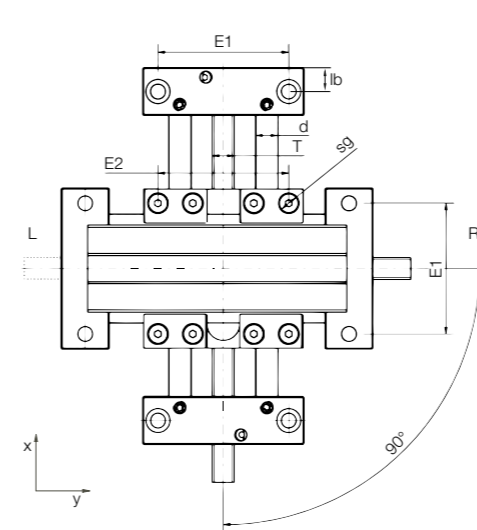
The hand wheel can be ordered left or right-mounted in the y-direction.

Left: SLW-XY-1040-L-200-300 for 200mm stroke length on the x-axis and 300mm on the y-axis

Right: SLW-XY-1040-R-200-300 for 200mm stroke length on the x-axis and 300mm on the y-axis



- For manual adjustments
- High torsional stability
- Structure entirely made from 316 stainless steel materials
- Chemical and corrosion-resistant
- Available accessories ► [Page 1503](#)



Select versions and accessories online
► www.igus-asean.com/drylinSLW

Dimensions [mm]

Part No.	Max. stroke length [mm]	A	Al	H	E1	E2	Base length lx	Base length ly	f	lt	lb	tk	ts	tg	kt
SLW-XY-ESJ-1040	300	-0.3	74	48	60	60	117	117	1.5	22	11	11	6.8	M8	6.4

Dimensions [mm]

Part No.	sg	d	T	l1	d1	d1	l2	d2	d2	ha1	ha2	W
					Standard	Alternative		Standard	Alternative			ha2-ha1
SLW-XY-ESJ-1040	M6	10	Tr10x2	17	Tr10x2	6 h9	17	Tr10x2	6 h9	14.5	33.5	19

The hand wheel can be ordered left or right-mounted in the y-direction.

Left: SLW-XY-ESJ-1040-L-200-300 for 200mm stroke length on the x-axis and 300mm on the y-axis

Right: SLW-XY-ESJ-1040-R-200-300 for 200mm stroke length on the x-axis and 300mm on the y-axis