

Made of stainless steel

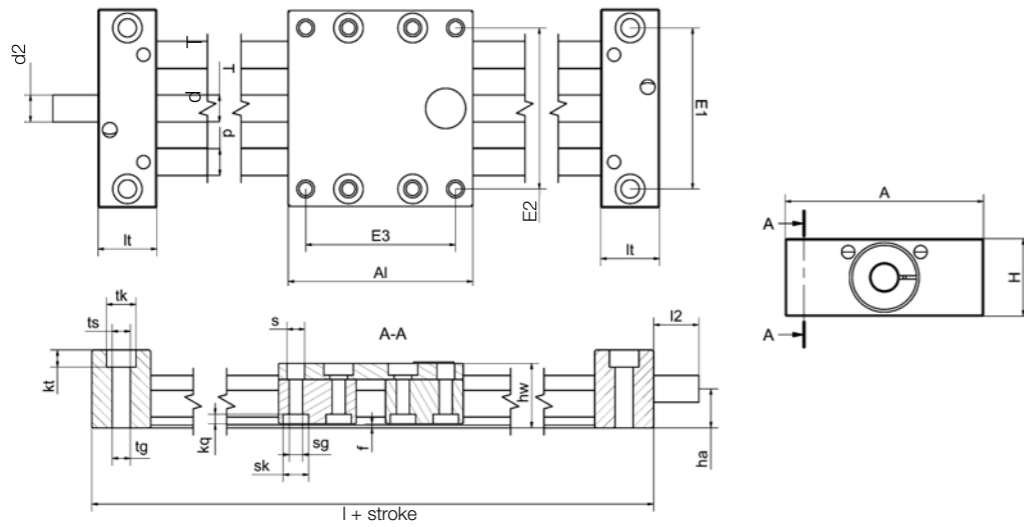


- Stainless steel version with corrosion-resistant steel components (AISI 303, AISI 316 and AISI 316Ti)
- Choice of bearing material:  
iglidur® J = Standard  
iglidur® A180 = FDA-compliant  
iglidur® X = High temperature up to +150°C<sup>117)</sup>
- Available accessories  
▶ Page 1503

**Order key**  
complete solution ▶ Page 1306

Type	Size
Compact	Stainless steel iglidur® J bearing Installation size

## SLW - ESJ - 1040



### Technical data

Part No.	Shaft Ø [mm]	Max. stroke length [mm]	Weight [kg]	Additional (per 100mm) [kg]	Max. stat. load capacity	
					axial [N]	radial [N]
SLW-ESJ-1040	10	750	1.4	0.2	700	2,800
SLW-ESX-1040	10	750	1.4	0.2	700	2,800
SLW-ESA180-1040	10	750	1.4	0.2	700	2,800
SLW-ESJ-2080	20	1,000	5.7	0.64	1,600	6,400
SLW-ESA180-2080	20	1,000	5.7	0.64	1,600	6,400

### Dimensions [mm]

Part No.	A	Al	H	E1	E2	E3	l	hw	f	lt	tk	ts	tg
	-0.3	-0.3		±0.15	±0.15	±0.15							
SLW-ES-1040	74	100	29	60	60	87	144	24	1.5	22	11	6.8	M8
SLW-ES-2080	134	150	46	116	116	132	206	44	1.5	28	15	8.6	M10

Part No.	kt	s	sk	sg	kq	d	T	l2	d2	ha
	±0.1								Standard	
SLW-ES-1040	6.4	6.6	9.5	M6	4.4	10	Tr10x2	17	Tr10x2 <sup>92)</sup>	14.5
SLW-ES-2080	8.6	9.0	14	M8	5.5	20	Tr18x4	26	12h9	23.0

<sup>92)</sup> Lead screw end unmachined

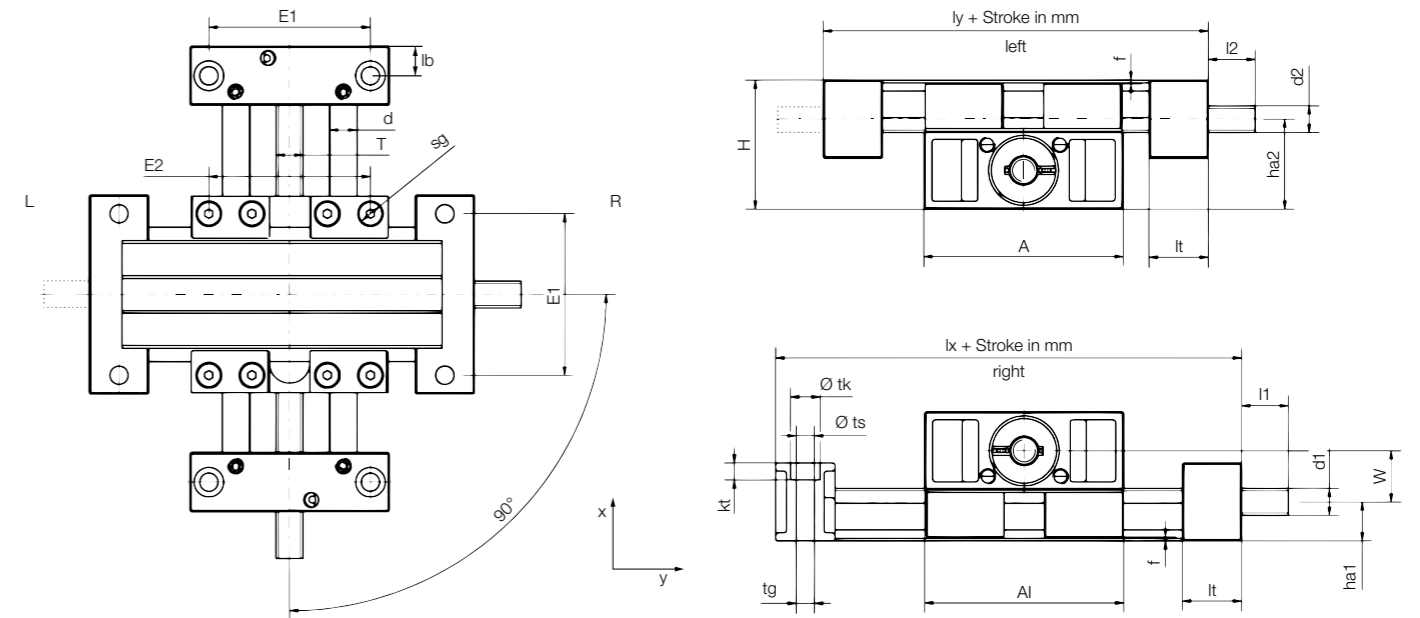
<sup>117)</sup> In the event of severe temperature fluctuations during transport, storage and use, thermal expansion effects cannot be ruled out

XY tables – stainless steel version



**Order key**  
▶ Page 1318

- For manual adjustments
- High torsional stability
- Structure entirely made from 316 stainless steel materials
- Chemical and corrosion-resistant
- Available accessories ▶ Page 1503



### Dimensions [mm]

Part No.	Max. stroke length [mm]	A	Al	H	E1	E2	Base length lx	Base length ly	f	lt	tk	ts	tg	kt
SLW-XY-ESJ-1040	300	74	73	48	60	60	117	117	1.5	22	11	6.8	M8	6.4

Part No.	sg	d	T	l1	d1	d1	l2	d2	d2	ha1	ha2	W
					Standard	Alternative		Standard	Alternative			ha2-ha1
SLW-XY-ESJ-1040	M6	10	Tr10x2	17	Tr10x2	6 h9	17	Tr10x2	6 h9	14.5	33.5	19

The hand-wheel can be ordered left- or right-mounted in the y-direction.

Left: SLW-XY-ESJ-1040-L-200-300 for 200mm stroke length on the x-axis and 300mm on the y-axis

Right: SLW-XY-ESJ-1040-R-200-300 for 200mm stroke length on the x-axis and 300mm on the y-axis