



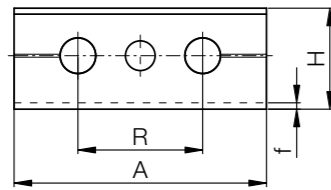
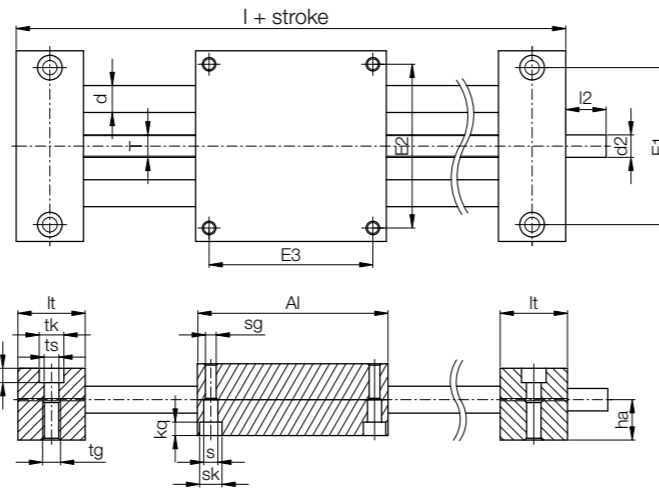
- Corrosion-resistant carriages and shaft end supports made of stainless steel
- High grade stainless steel shafts (AISI 440B)
- Stainless steel lead screw
- Temperature-resistant
- Up to +180°C with iglidur® X
- Food compliant with iglidur® A180
- Can be configured online as SHTC compact version

Order key

Type	Size	Options
------	------	---------

SHT - ES J - 08

Standard	Stainless steel	Bearing material	Shaft material
----------	-----------------	------------------	----------------



reddot design award
winner 2006

Technical data

Part No.	Max. stroke length [mm]	Aluminium shaft		Steel shaft		Max. static load capacity	
		Weight [kg]	Additional (per 100mm) [kg]	Weight [kg]	Additional (per 100mm) [kg]	axial [N]	radial [N]
SHT-ESJ-08	300	0.24	0.05	0.27	0.1	100	360
SHT-ESJ-12	750	1.1	0.1	1.3	0.2	700	2,800
SHT-ESJ-20	1,000	3.2	0.3	3.9	0.6	1,600	6,400
SHT-ESJ-30	1,250	8.6	0.6	10.9	1.4	2,500	10,000

Dimensions [mm]

Part No.	A	Al	H	E1	E2	E3	I	R	f	lt	tk	ts
	-0.3	-0.3		±0.15	±0.15	±0.15						
SHT-ESJ-08	65	65	23	52	55	55	96	32	1.5	15.5	10	5.5
SHT-ESJ-12	85	85	34	70	73	73	145	42	2	30	11	6.6
SHT-ESJ-20	130	130	48	108	115	115	202	72	2	36	15	9.0
SHT-ESJ-30	180	180	68	150	158	158	280	96	4	50	20	13.5

Part No.	tg	kt	s	sk	sg	kq	d	T	l2	d2	ha
		±0.1								Standard	
SHT-ESJ-08	M6	7	4.2	8	M5	4.6	8	Tr6x2	17	Tr6x2	13
SHT-ESJ-12	M8	6.4	6.3	10	M6	6.0	12	Tr10x2	17	Tr10x2 ⁹²⁾	18
SHT-ESJ-20	M10	8.6	6.4	11	M8	7.0	20	Tr18x4	26	12h9	23
SHT-ESJ-30	M16	12.6	11.0	18	M12	10.6	30	Tr24x5	38	14h9	36

⁹²⁾ Lead screw end unmachined



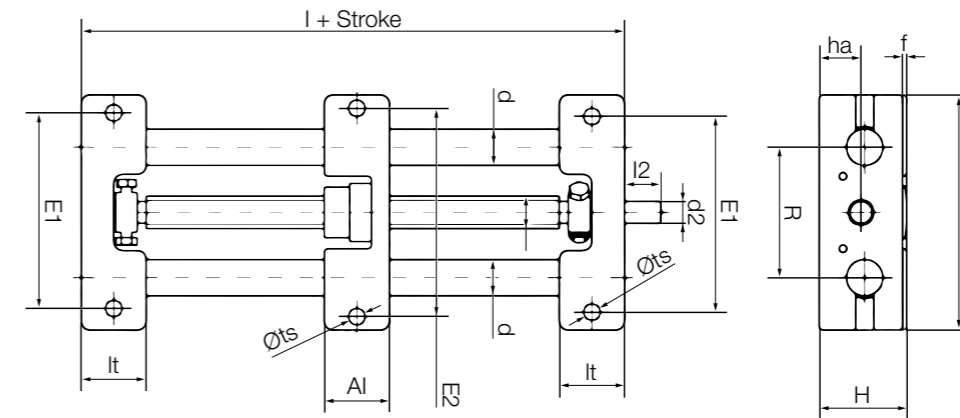
Order key

Type	Size	Shaft	Option
------	------	-------	--------

SHTC - 20 - EWM - HYD

Flexible	Installation size	Shaft material	Hygienic design
----------	-------------------	----------------	-----------------

- Easily cleaned solution
- Wide gaps
- Materials: plastic and stainless steel
- Lead screw nuts made of FDA-compliant iglidur® A180
- Available accessories ► **Page 1503**



The lead screw linear unit can be delivered with complete FDA-compliant Materials.

Dimensions [mm]

Part No.	A	Al	H	E1	E2	I	R	f	lt	ts	d	T	l2	d2	ha
	-0.3	-0.3		±0.15	±0.15										
SHTC-20-EWM-HYD	130	36	48	108	115	108	72	2	36	9.0	20	Tr18x4	26	12 h9	23