

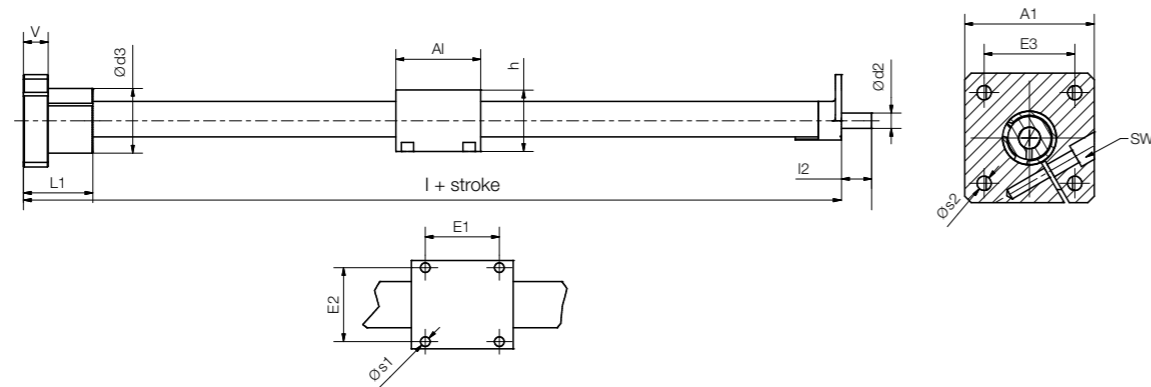


Order key

Order example

SETB-25-AWM

easytube	Dimension	Shaft material
----------	-----------	----------------



- Horizontal and vertical installation at one end
- Ideal for the positioning of sensors and cameras in format adjustments
- Easy assembly
- Flexible installation
- Space-saving
- Protected lead screw

Technical data

Part No.	Max. stroke length [mm]	Max. static load capacity	
		axial [N]	radial ¹²⁸⁾ [N]
SETB-25-AWM	300	150	12.5

Dimensions [mm]

Part No.	A1	Al	h	E1	E2	E3	V	L1	I2	d2 ⁹²⁾	d3	l	s1	s2	SW
SETB-25-AWM	60	55	39	40	40	42	16	45	17	Tr10x2	42	130	5.2	6.6	5

⁹²⁾ Lead screw end unmachined

More dimensions upon request

¹²⁸⁾ The supporting torque at the clamping flange must not exceed 10Nm



Order key

Order example

SET M-25-AWM-200-SC

easytube	Manual	Dimension	Shaft material	Stroke length	Scaling
----------	--------	-----------	----------------	---------------	---------

Options:

Manual

without lead screw (optional)

- Lasered, wash-proof scale
- Corrosion-resistant
- Multi-position clamp
- Available with/without lead screw
- 3 stroke lengths available from stock

Technical data

F radial	[N]	300
Max. extension at maximum load	[mm]	66
Max. extension at 100N nominal load	[mm]	200
Max. drive force without load	[N]	10
Max. holding force	[N]	100
Max. stroke length	[mm]	600

Dimensions [mm]

Part no. measurement scale without lead screw	Part no. measurement scale with trapezoidal lead screw 10x2	Stroke length [mm]
SETM-25-AWM-200-SC	SET-25-AWM-200-SC	200
SETM-25-AWM-400-SC	SET-25-AWM-400-SC	400
SETM-25-AWM-600-SC	SET-25-AWM-600-SC	600

More dimensions see SET ► Page 1408