

drylin® SAW carbon fibre | Product range

Linear module with high profile carbon fibre – lightweight and robust



- Guide profile made from carbon
- Linear carriage made from iglidur® polymer

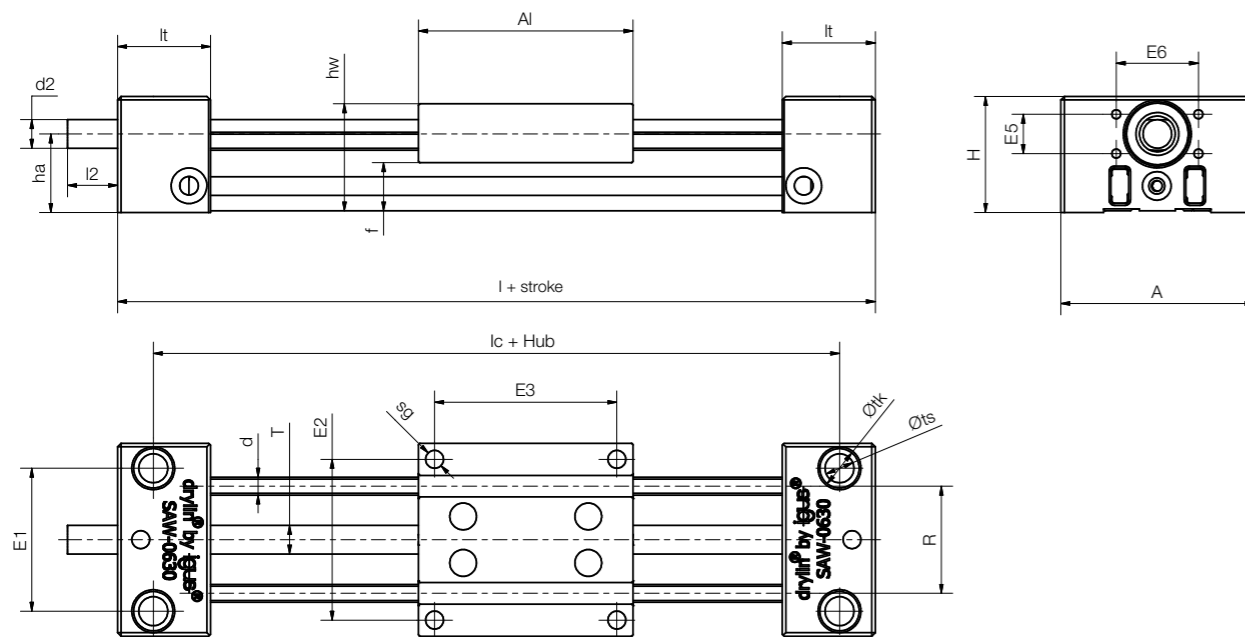


Order key
Complete solution

Type	Dimensions [mm]/Type
------	----------------------

SAW-06 30-P-1000

drylin® linear module	Shaft Ø	Rail width	Plastic	Stroke length
-----------------------	---------	------------	---------	---------------



Technical data

Part No.	Stroke length [mm]	Weight		Max. speed [1/min]	Max. static load capacity	
		Standard [kg]	Additional per 100mm [kg]		axial [N]	radial [N]
SAW-0630-P-...	300	0.25	0.07	1,000	50	50

Dimensions [mm]

Part No.	A	Al	H	E1	E2	E3	E5	E6	l	lc	hw	f	lt
	-0.3			±0.15	±0.15	±0.15							±0.1
SAW-0630-P-...	54	60	32.5	40	45	51	11	23	112	92	80	13.5	26

Part No.	tk	ts	sg	d	T	l2	d2	ha
SAW-0630-P-...	11	6.6	5	□ 5	8	15	Tr8x1.5	22

drylin® SHTP carbon fibre | Product range

Linear module with carbon fibre hollow shafts – ideal for multi-carriage solutions



- Lead screws made from carbon
- Linear carriage made from iglidur® polymer

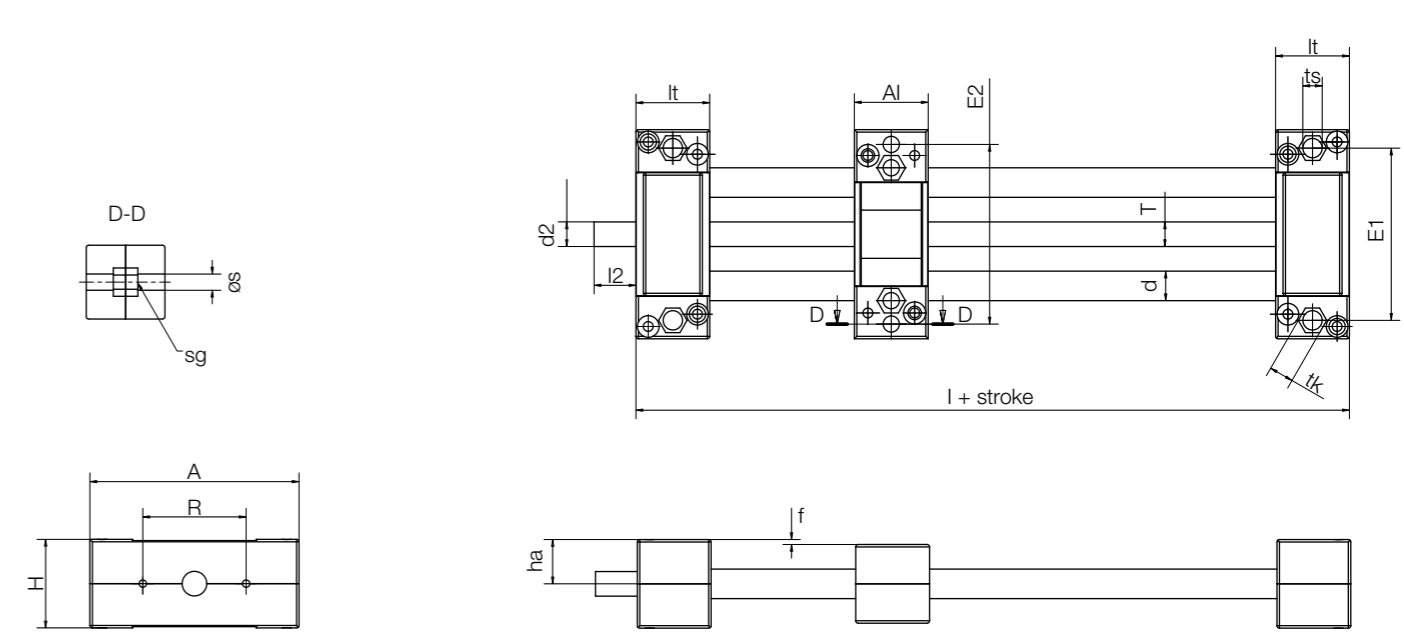


Order key
Complete solution

Type	Dimensions [mm]/Type
------	----------------------

SHTP-01-12-CWM

Linear module	Plastic	Design	Dimension	Carbon fibre shaft
---------------	---------	--------	-----------	--------------------



Technical data

Part No.	Max. stroke length [mm]	Carbon fibre shaft		More information
		Weight [kg]	Additional [kg] (per 100mm)	
SHTP-01-12-CWM	500	0.3	0.06	Drive nut and linear bearings made from iglidur® J
SHTP-02-12-CWM	500	0.3	0.06	Bearing and nut integrated into the carriage

Dimensions [mm]

Part No.	A	Al	H	E1	E2	l	R	f	lt	tk	ts
									±0.1		+0.15
SHTP-01-12-CWM	85	30	36	70	73	90	42	2	30	10	6.0
SHTP-02-12-CWM	85	30	36	70	73	90	42	2	30	10	6.0

Part No.	s	sg	d	T	l2	d2 ⁹⁹⁾	ha	Max. static load capacity	
								axial	radial
								[N]	[N]
SHTP-01-12-CWM	6.3	M6	12	Tr10x2	17	Tr10x2	18	100	100
SHTP-02-12-CWM	6.3	M6	12	Tr10x2	17	Tr10x2	18	100	100

⁹⁹⁾ Lead screw end unmachined (standard)