

drylin® R solid plastic bearings | Product range

Linear plain bearings with Japanese dimensions made from iglidur® J4



- Alternative to ball bearings with Japanese dimension
- Quickly assembled
- Secured by circlips



⁷⁸⁾ According to igus® testing method ► Page 1146

⁸²⁾ Design tips ► Page 1078

Please note: Installation instructions ► Page 1079

Material properties ► Page 1652



Min. -20°C

Max. +60°C

Dimensions [mm]

d1	d2	B	B1	s	dn	Part No.
8	15	24	17.5	1.1	14.3	RJ4JP-01-08
10	19	29	22.0	1.3	18.0	RJ4JP-01-10
12	21	30	23.0	1.3	20.0	RJ4JP-01-12
16	28	37	26.5	1.6	26.6	RJ4JP-01-16
20	32	42	30.5	1.6	30.3	RJ4JP-01-20
25	40	59	41.1	1.85	37.5	RJ4JP-01-25
30	45	64	44.6	1.85	42.5	RJ4JP-01-30

Technical data

Part No.	d1 tolerance ⁷⁸⁾	Fmax. dynamic ⁸²⁾	Fmax. static ⁸²⁾	Weight
	[mm]	p = 5MPa [N]	p = 35MPa [N]	
RJ4JP-01-08	+0.000 +0.040	200	800	2
RJ4JP-01-10	+0.000 +0.040	300	1,200	6
RJ4JP-01-12	+0.000 +0.040	400	1,600	8
RJ4JP-01-16	+0.000 +0.040	700	2,800	16
RJ4JP-01-20	+0.000 +0.040	1,000	4,000	23
RJ4JP-01-25	+0.000 +0.050	1,550	6,500	47
RJ4JP-01-30	+0.000 +0.050	2,200	8,500	72

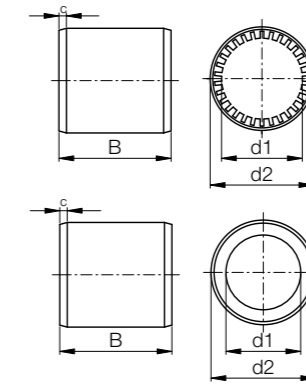


Order key

Type	Size
R J 4 J P-01-10	
Closed	
igidur® J4	
Japan standard	
Precise	
Standard	
Inner Ø d1	

drylin® R solid plastic bearings | Product range

Low-cost linear plain bearings made from iglidur® J260



- 2 variations: RJ260M (with plain design) and RJ260UM (grooved structure)



⁷⁸⁾ According to igus® testing method ► Page 1146

⁸²⁾ Design tips ► Page 1078

Please note: Installation instructions ► Page 1079



Min. -20°C

Max. +60°C

Dimensions [mm]

d1	d2	B	C	Part No.
12	19	28	1.5x15°	RJ260UM-02-12
16	24	30	1.5x15°	RJ260UM-02-16
20	28	30	2.0x15°	RJ260UM-02-20
25	35	40	2.0x15°	RJ260UM-02-25

Technical data

Part No.	d1 tolerance ⁷⁸⁾	Fmax. dynamic ⁸²⁾	Fmax. static ⁸²⁾	Weight
	[mm]	p = 2.5MPa [N]	p = 17.5MPa [N]	
RJ260UM-02-12	+0.035 +0.080	420	2,940	6.2
RJ260UM-02-16	+0.035 +0.080	600	4,200	9.7
RJ260UM-02-20	+0.040 +0.095	750	5,250	11.7
RJ260UM-02-25	+0.040 +0.095	1,250	8,750	22.8