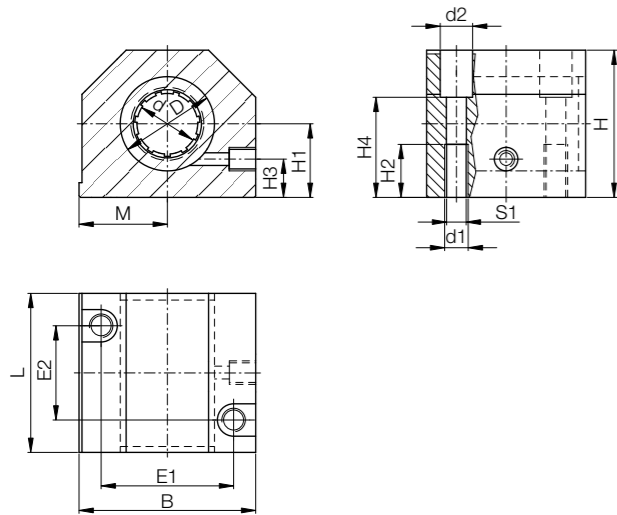




- Housing: Aluminium, equipped with drylin® R linear plain bearings



Dimensions [mm]

d	D	H	H1	H2	H3	H4	S1	B	L	M	E1	E2	d1	d2	Part No.	Self-aligning	Solid plastic bearings
	H6		+0.01						±0.3	±0.02	±0.15	±0.15			Standard with RJUM-01	with RJUM-03	with RJM-01
			-0.02														
8	16	28	13	10	8	14	M4	35	32	17.5	25	20	3.2	6	RGA-01-08	-	RGA-04-08
12	22	35	18	11	10	25	M5	43	39	21.5	32	23	4.2	6	RGA-01-12	RGA-03-12	RGA-04-12
16	26	42	22	13	12	30	M6	53	43	26.5	40	26	5.2	10	RGA-01-16	RGA-03-16	RGA-04-16
20	32	50	25	18	13	34	M8	60	54	30.0	45	32	6.8	11	RGA-01-20	RGA-03-20	RGA-04-20
25	40	60	30	22	15	40	M10	78	67	39.0	60	40	8.6	15	RGA-01-25	RGA-03-25	RGA-04-25
30	47	70	35	22	16	48	M10	87	79	43.5	68	45	8.6	15	RGA-01-30	RGA-03-30	RGA-04-30
40	62	90	45	26	20	60	M12	108	91	54.0	86	58	10.3	18	RGA-01-40	RGA-03-40	RGA-04-40

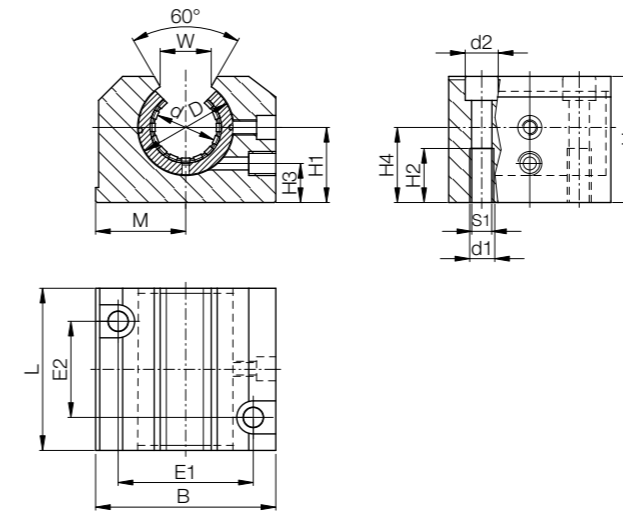
Are equipped with:



Available with drylin® liners (optional: J200/A180):



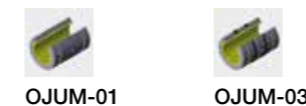
- Housing: Aluminium, equipped with drylin® R linear plain bearings



Dimensions [mm]

d	D	H	H1	H2	H3	H4	S1	B	L	M	E1	E2	d1	d2	W	Part No.	Self-aligning
	H6		+0.01						±0.3	±0.02	±0.15	±0.15			+0.6	Standard with OJUM-01	with OJUM-03
			-0.02														
12	22	28	18	11	8	25	M5	43	39	21.5	32	23	4.2	8	14	OGA-01-12	OGA-03-12
16	26	35	22	13	12	30	M6	53	43	26.5	40	26	5.2	10	17	OGA-01-16	OGA-03-16
20	32	42	25	18	13	34	M8	60	54	30.0	45	32	6.8	11	17	OGA-01-20	OGA-03-20
25	40	51	30	22	15	40	M10	78	67	39.0	60	40	8.6	15	21	OGA-01-25	OGA-03-25
30	47	60	35	22	16	48	M10	87	79	43.5	68	45	8.6	15	21	OGA-01-30	OGA-03-30
40	62	77	45	26	20	60	M12	108	91	54.0	86	58	10.3	18	27	OGA-01-40	OGA-03-40

Are equipped with:



Available with drylin® liners (optional: J200/A180):

