

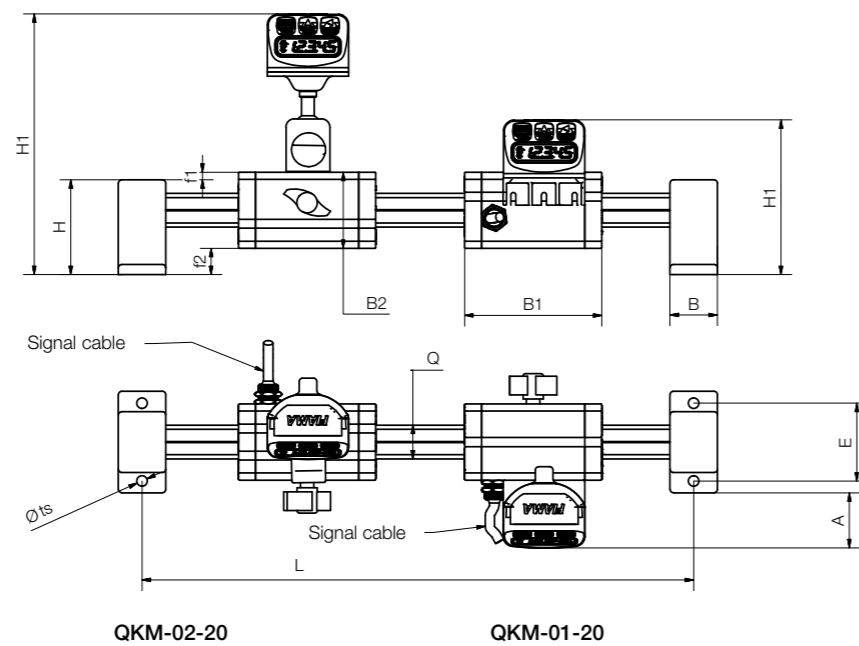
Order key

| Type | Option | Size |
|------------------------|------------------|-------------------|
| Q K M - 01 - 20 | | |
| Square | Measuring system | Carriage type |
| | Metric | Installation size |

Options:

- 01: Display flexible with angle joint
- 02: Display fixed in place

- Protected magnetic tape
- Attachment options using slot nuts
- Manual clamp on carriage
- Unsupported attachment
- Profile AWMQ-20 max. length 1,500mm
- Sensor integrated in the carriage, saving space
- Technical data ► Page 1190



Dimensions [mm]

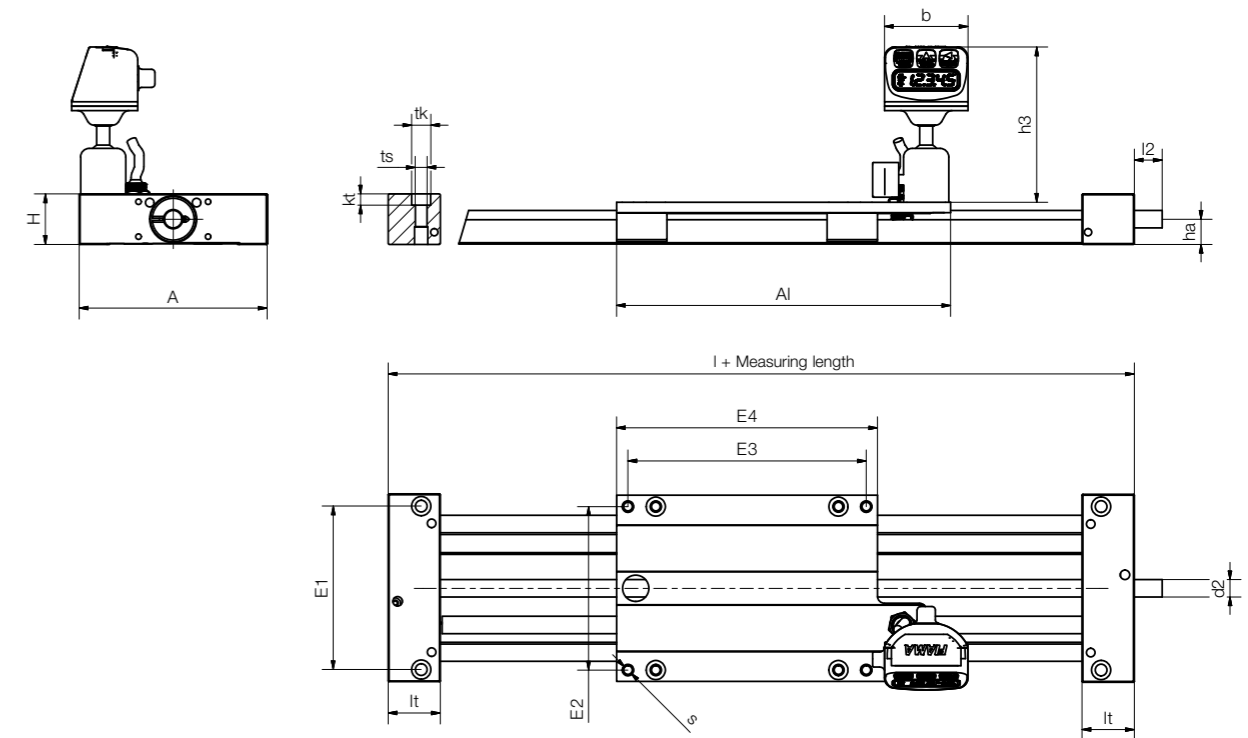
| Part No. | M max. [Nm] | L Shaft end support + carriage + stroke | B h7 | B1 | B2 | H | H1 | E | Q | ts | f1 | f2 | A |
|------------------|----------------|---|---------|----|----|----|-----|----|----|-----|-----|------|----|
| QKM-01-20 | 10 | 28 + 94 + stroke | 28 | 94 | 45 | 58 | 155 | 46 | 20 | 6.2 | 4.5 | 15.5 | 33 |
| QKM-02-20 | 10 | 28 + 94 + stroke | 28 | 94 | 45 | 58 | 92 | 46 | 20 | 6.2 | 4.5 | 15.5 | 33 |



Order key

| Type | Size |
|--------------------------------------|--|
| S L W M - 1080 | |
| drylin® SLW linear module | Measuring system |
| | Installation size SLW linear module |

- Sensor integrated in the carriage, saving space
- Operation without mains supply
- Integrated magnetic tape
- Extensive accessories available
- Technical data ► Page 1190
- Technical data drylin® linear module SLW
► page 1383



Dimensions [mm]

| Part No. | A | AI | H | E1 | E2 | E3 | E4 | I | I2 | It | tk | kt | ts | s | ha | d2 | h3 | b |
|------------------|-----|-----|----|----|----|-----|-----|-----|----|----|----|-----|-----|-----|------|--------|----|----|
| SLWM-1080 | 108 | 192 | 29 | 94 | 94 | 137 | 150 | 236 | 17 | 22 | 11 | 6.4 | 6.8 | 6.6 | 14.5 | Tr10x2 | 90 | 50 |