

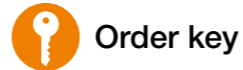
With flange



QJFM-02-...



QJFMT-01-...

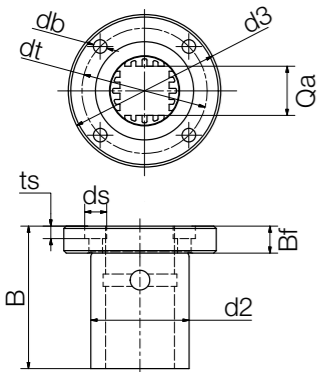


Order key

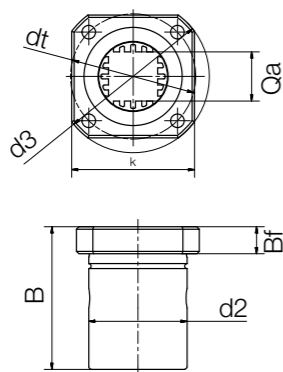
Type	Option	Size
Q J F M T - 02 - 10		
Square	iglidur® J	With flange
		Metric
		Tandem (optional)
		Design
		Installation size

Options:
01 = Round flange
02 = Square flange

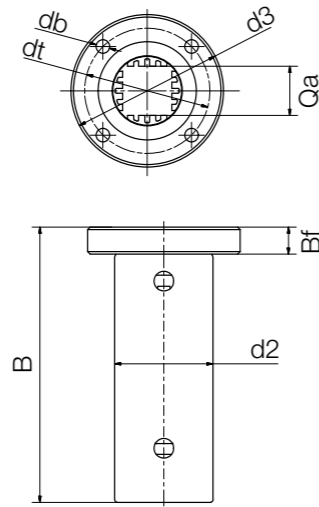
QJFM-01



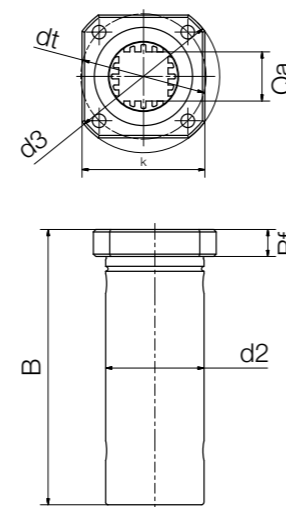
QJFM-02



QJFMT-01



QJFMT-02



Technical data and dimensions [mm]

Part No.	Weight [kg]	Surface pressure		Mx [Nm]
		dynamic [N]	static [N]	
QJFM-01-20	0.14	1,500	10,500	5
QJFM-02-20	0.14	1,500	10,500	5
QJFMT-02-10	0.038	-	-	3
QJFMT-01-20	0.24	1,500	10,500	10
QJFMT-02-20	0.24	1,500	10,500	10

Part No.	k	d2	Bf	Qa	d3	dt	B	db	ds	ts
		h7			±0.15	±0.15				
QJFM-01-20	-	40	11	20	62	51	58	5.5	9.0	5.1
QJFM-02-20	50	40	11	20	62	51	58	5.5	9.0	5.1
QJFMT-02-10	30	19	9	7.5	39	29	52	4.5	7.5	4.1
QJFMT-01-20	-	40	11	20	62	51	112	5.5	9.0	5.1
QJFMT-02-20	50	40	11	20	62	51	112	5.5	9.0	5.1

Can be combined with:

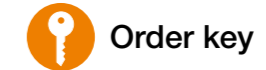


AWMQ-10



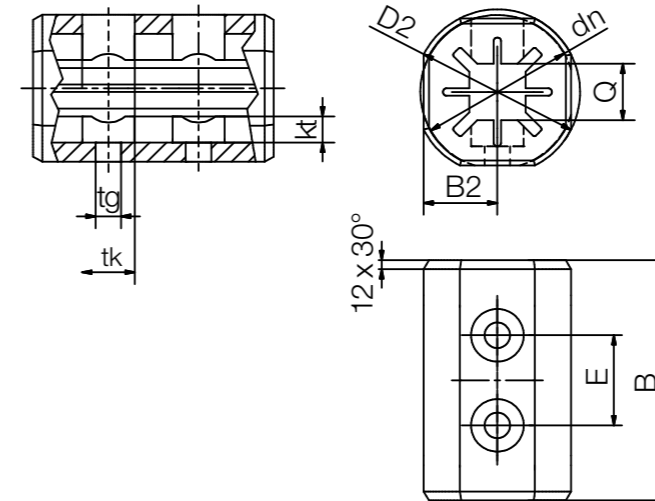
AWMQ-20

Q10 pillow blocks



Order key

Type	Size
Q J R M P - 01 - 10	
Square	iglidur® J
	Closed design
	Metric
	Solid plastic
	Standard design
	Installation size



Manual clamp available.
Suffix "-HKA"

Dimensions [mm]

Part No.	Weight [g]	M max. [Nm]	B	B2	D2	dn	E	Q	tk	tg	kt
QJRMP-01-10	11.3	3	32	9.8	22	22	12	7.5	6	3.4	3.5



Pipette unit equipped with drylin® Q square linear guide combined with drylin® GRW cantilever axis and NEMA stepper motor

Can be combined with:



AWMQ-10