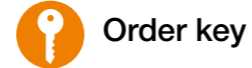
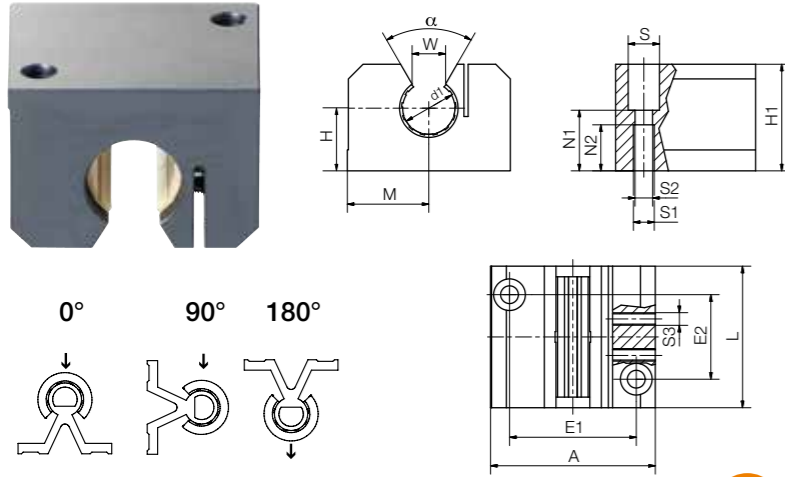


# drylin® R pillow blocks | Product range

Open, anodised aluminium housing, long design, adjustable

## My sketches



**Order key**

Type:  Size:

**O J U M E-06-12**

- Open
- igidur® J
- Liner
- Metric
- Adjustable
- Long design
- Inner Ø d1



<sup>78)</sup> According to igus® testing method ▶ Page 1146

<sup>82)</sup> Design tips ▶ Page 1078

Please note: Installation instructions ▶ Page 1079

● With two set screws (DIN 913), clearance adjustment possible

### Dimensions [mm]

d1	H	H1	A	M	E1	E2	S	S1	S2	S3	N1	N2	W	α	L	Part No.
+0.01; -0.014				±0.02	±0.15	±0.15							-1	[°]		
12	18	28	43	21.5	32	23	8.0	M5	4.3	M4	16.5	11	10.2	78	39	<b>OJUME-06-12</b>
16	22	35	53	26.5	40	26	10.0	M6	5.3	M4	21.0	13	11.6	78	43	<b>OJUME-06-16</b>
20	25	42	60	30.0	45	32	11.0	M8	6.6	M5	24.0	18	12.0	60	54	<b>OJUME-06-20</b>
25	30	51	78	39.0	60	40	15.0	M10	8.4	M6	29.0	22	14.5	60	67	<b>OJUME-06-25</b>
30	35	60	87	43.5	68	45	15.0	M10	8.4	M6	34.0	22	16.6	57	79	<b>OJUME-06-30</b>
40	45	77	108	54.0	86	58	18.0	M12	10.5	M8	44.0	26	21.0	56	91	<b>OJUME-06-40</b>
50	50	88	132	66.0	108	50	20.0	M16	13.5	M8	49.0	34	25.5	54	113	<b>OJUME-06-50</b>

### Technical data

Part No.	d1 tolerance <sup>78)</sup>	Fmax. dynamic <sup>82)</sup>			Fmax. static <sup>82)</sup>			Weight [g]
		p = 5MPa			p = 35MPa			
		0°	90°	180°	0°	90°	180°	
<b>OJUME-06-12</b>	Adjustable	960	635	240	6,720	4,445	1,680	100
<b>OJUME-06-16</b>	Adjustable	1,440	990	396	10,080	6,943	2,772	160
<b>OJUME-06-20</b>	Adjustable	2,250	1,800	900	15,750	12,600	6,300	270
<b>OJUME-06-25</b>	Adjustable	3,625	2,953	1,523	25,375	20,670	10,658	530
<b>OJUME-06-30</b>	Adjustable	5,100	4,250	2,278	35,700	29,735	15,946	820
<b>OJUME-06-40</b>	Adjustable	8,000	6,810	3,800	56,000	47,660	26,600	1,490
<b>OJUME-06-50</b>	Adjustable	12,500	10,750	6,125	87,500	75,265	42,875	2,750

Available with drylin® liners (optional: J200/A180):

