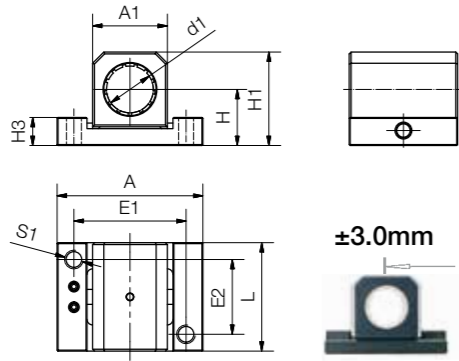


drylin® R pillow blocks | Product range

Closed, anodised aluminium, floating pillow blocks



±3.0mm

Order key

Type	Size	Options
R J U M-06-12 - LL		
Closed	iglidur® J	Floating bearing
Liner	Metric	
Long design	Inner Ø d1	

- Compensation of parallelism errors up to 6mm
- Quick assembly even on raw profiles

i ⁷⁸⁾ According to igus® testing method ▶ Page 1146
⁸²⁾ Design tips ▶ Page 1078
 Please note: Installation instructions ▶ Page 1079
 Floating bearing ▶ Page 1078

Dimensions [mm]

d1	H	H1	A	E1	E2	S1	L	A1	H3	Part No.
	±0.01			±0.15	±0.15					
12	18	28	43	32	23	M5	32	20	11	RJUM-06-12 LL
16	22	35	53	40	26	M6	36	26	11	RJUM-06-16 LL
20	25	41	60	45	32	M8	45	32	12.5	RJUM-06-20 LL
25	30	50	78	60	40	M10	58	40	15	RJUM-06-25 LL
30	35	59	87	68	45	M10	68	48	15	RJUM-06-30 LL
40	45	76	108	86	58	M12	80	62	20	RJUM-06-40 LL
50	50	89	132	108	50	M16	100	78	24	RJUM-06-50 LL

Technical data

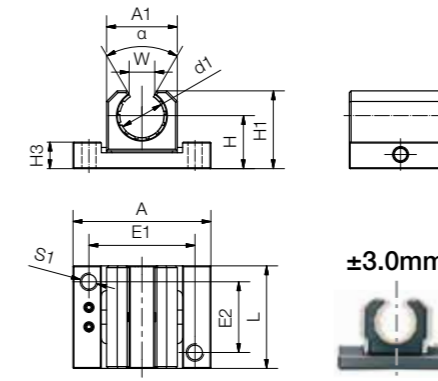
Part No.	d1 tolerance ⁷⁸⁾ [mm]	Fmax. static or dynamic ⁸²⁾ [N]	Weight [g]
RJUM-06-12 LL	+0.030 +0.088	560	50
RJUM-06-16 LL	+0.030 +0.088	920	80
RJUM-06-20 LL	+0.030 +0.091	2,100	130
RJUM-06-25 LL	+0.030 +0.091	3,550	280
RJUM-06-30 LL	+0.040 +0.110	5,300	430
RJUM-06-40 LL	+0.040 +0.115	8,000	850
RJUM-06-50 LL	+0.050 +0.150	12,500	1,550

Available with drylin® liners (optional: J200/A180):



drylin® R pillow blocks | Product range

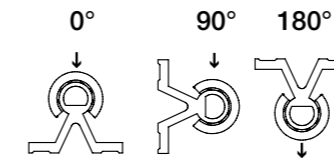
Open, anodised aluminium, floating pillow blocks



±3.0mm

Order key

Type	Size	Options
O J U M-06-12 - LL		
Open	iglidur® J	Floating bearing
Liner	Metric	
Long design	Inner Ø d1	



- Compensation of parallelism errors up to 6mm

i ⁷⁸⁾ According to igus® testing method ▶ Page 1146
⁸²⁾ Design tips ▶ Page 1078
 Please note: Installation instructions ▶ Page 1079
 Floating bearing ▶ Page 1078

Dimensions [mm]

d1	H	H1	A	E1	E2	S1	L	A1	H3	W	α	Part No.
	±0.01			±0.15	±0.15					-1	[°]	
12	18	24.5	43	32	23	M5	32	20	11	10.2	90	OJUM-06-12 LL
16	22	30.5	53	40	26	M6	36	26	11	11.6	90	OJUM-06-16 LL
20	25	37.0	60	45	32	M8	45	32	12.5	12.0	60	OJUM-06-20 LL
25	30	44.0	78	60	40	M10	58	40	15	14.5	60	OJUM-06-25 LL
30	35	52.5	87	68	45	M10	68	48	15	16.8	60	OJUM-06-30 LL
40	45	69.0	108	86	58	M12	80	62	20	21.0	60	OJUM-06-40 LL
50	50	80.0	132	108	50	M16	100	78	24	25.5	60	OJUM-06-50 LL

Technical data

Part No.	d1 tolerance ⁷⁸⁾ [mm]	Fmax. static or dynamic ⁸²⁾ [N]	Fmax. static ⁸²⁾ with load at 180° [N]	Weight [g]
OJUM-06-12 LL	+0.030 +0.088	560	240	40
OJUM-06-16 LL	+0.030 +0.088	920	400	70
OJUM-06-20 LL	+0.030 +0.091	2,100	900	115
OJUM-06-25 LL	+0.030 +0.091	3,550	1,520	240
OJUM-06-30 LL	+0.040 +0.110	5,100	2,280	370
OJUM-06-40 LL	+0.040 +0.115	8,000	3,800	750
OJUM-06-50 LL	+0.050 +0.150	12,500	6,100	1,400

Available with drylin® liners (optional: J200/A180):

