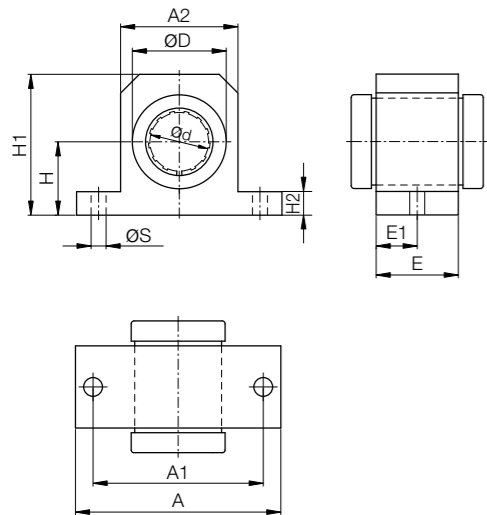




- Housing: Aluminium, equipped with drylin® R linear plain bearings
- Variations:
 - Standard: RGAS-01-Ø
 - Self-aligning: RGAS-03-Ø
 - Solid plastic bearing (cost-effective, lightweight): RGAS-04-Ø



Dimensions [mm]

| d | D | H | H1 | H2 | A | A1 | A2 | E | E1 | S | Part No. Standard with RJUM-01 | Self-aligning with RJUM-03 | Solid plastic bearings with RJM-01 |
|----|----|----|------|----|-----|----|----|----|----|-----|--------------------------------|----------------------------|------------------------------------|
| 12 | 22 | 18 | 35.0 | 6 | 52 | 42 | 30 | 20 | 10 | 5.3 | RGAS-01-12 | RGAS-03-12 | RGAS-04-12 |
| 16 | 26 | 22 | 40.5 | 7 | 56 | 46 | 34 | 22 | 11 | 5.3 | RGAS-01-16 | RGAS-03-16 | RGAS-04-16 |
| 20 | 32 | 25 | 48.0 | 8 | 70 | 58 | 40 | 28 | 14 | 6.4 | RGAS-01-20 | RGAS-03-20 | RGAS-04-20 |
| 25 | 40 | 30 | 58.0 | 10 | 80 | 68 | 50 | 40 | 20 | 6.4 | RGAS-01-25 | RGAS-03-25 | RGAS-04-25 |
| 30 | 47 | 35 | 67.0 | 10 | 88 | 76 | 58 | 48 | 24 | 6.4 | RGAS-01-30 | RGAS-03-30 | RGAS-04-30 |
| 40 | 62 | 45 | 85.0 | 12 | 108 | 94 | 74 | 56 | 28 | 8.4 | RGAS-01-40 | RGAS-03-40 | RGAS-04-40 |

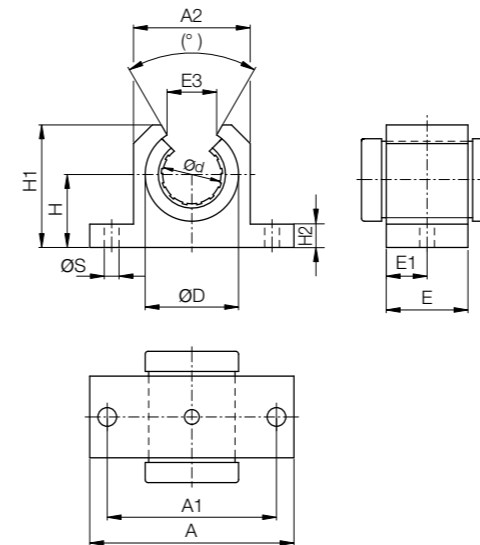
Are equipped with:



Available with drylin® liners (optional: J200/A180):



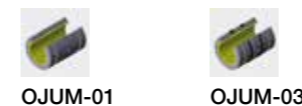
- Housing: Aluminium, equipped with drylin® R linear plain bearings
- Variations:
 - Standard: OGAS-01-Ø
 - Self-aligning: OGAS-03-Ø



Dimensions [mm]

| d | D | H | H1 | H2 | A | A1 | A2 | E | E1 | E3 | (°) | S | Part No. Standard with OJUM-01 | Self-aligning with OJUM-03 |
|----|----|----|------|----|-----|----|----|----|----|----|-----|-----|--------------------------------|----------------------------|
| 12 | 22 | 18 | 28 | 6 | 52 | 42 | 30 | 20 | 10 | 14 | 78 | 5.3 | OGAS-01-12 | OGAS-03-12 |
| 16 | 26 | 22 | 33.5 | 7 | 56 | 46 | 34 | 22 | 11 | 17 | 78 | 5.3 | OGAS-01-16 | OGAS-03-16 |
| 20 | 32 | 25 | 42 | 8 | 70 | 58 | 40 | 28 | 14 | 17 | 60 | 6.4 | OGAS-01-20 | OGAS-03-20 |
| 25 | 40 | 30 | 51 | 10 | 80 | 68 | 50 | 40 | 20 | 21 | 60 | 6.4 | OGAS-01-25 | OGAS-03-25 |
| 30 | 47 | 35 | 60 | 10 | 88 | 76 | 58 | 48 | 24 | 21 | 54 | 6.4 | OGAS-01-30 | OGAS-03-30 |
| 40 | 62 | 45 | 77 | 12 | 108 | 94 | 74 | 56 | 28 | 27 | 54 | 8.4 | OGAS-01-40 | OGAS-03-40 |

Are equipped with:



Available with drylin® liners (optional: J200/A180):



Order key

| Type | Option | Size |
|----------------------------------|-------------------|---------|
| Linear housing with RJUM bearing | Aluminium housing | Small |
| Standard with RJUM-01 | | Inner Ø |

Options:

- 01: Standard with RJUM-01
- 03: with RJUM-03
- 04: with RJM-01

i Please note:
Installation instructions
► Page 1079

Order key

| Type | Option | Size |
|----------------------------------|-------------------|---------|
| Linear housing with OJUM bearing | Aluminium housing | Small |
| Standard with OJUM-01 | | Inner Ø |

Options:

- 01: Standard with OJUM-01
- 03: with OJUM-03

i Please note:
Installation instructions
► Page 1079