

Made of stainless steel



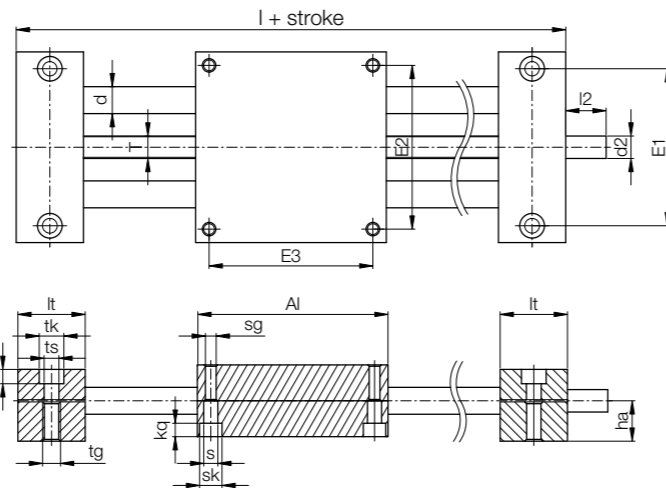
- Corrosion-resistant carriages and shaft end supports made of stainless steel
- High grade stainless steel shafts (AISI 440B)
- Choice of bearing material:  
iglidur® J = Standard  
iglidur® A180 = FDA-compliant  
iglidur® X = High temperature up to +150°C<sup>117)</sup>
- Can be configured online as SHTC compact version

## Order key

Order example

### SHT-ES J - 08

Standard	Stainless steel	Bearing material	Installation size
----------	-----------------	------------------	-------------------



Configure online  
▶ [www.igus-asean.com/drylin-sht-configurator](http://www.igus-asean.com/drylin-sht-configurator)



## Technical data

Part No.	Max. stroke length [mm]	Steel shaft			Max. static load capacity	
		Weight [kg]	Additional (per 100mm) [kg]	axial [N]	radial [N]	
SHT-ESJ-08	300	1.01	0.1	100	360	
SHT-ESJ-12	750	2.81	0.24	700	2,800	
SHT-ESJ-20	1,000	8.72	0.7	1,600	6,400	
SHT-ESJ-30	1,250	24.11	1.47	2,500	10,000	

## Dimensions [mm]

Part No.	A	Al	H	E1	E2	E3	I	R	f	lt	tk	ts
	-0.3	-0.3		±0.15	±0.15	±0.15						
SHT-ESJ-08	65	65	23	52	55	55	96	32	1.5	15.5	10	5.5
SHT-ESJ-12	85	85	34	70	73	73	145	42	2	30	11	6.6
SHT-ESJ-20	130	130	48	108	115	115	202	72	2	36	15	9.0
SHT-ESJ-30	180	180	68	150	158	158	280	96	4	50	20	13.5

Part No.	tg	kt ±0.1	s	sk	sg	kq	d	T	l2	d2 Standard	ha
SHT-ESJ-08	M6	7	4.2	8	M5	4.6	8	Tr6x2	17	Tr6x2	13
SHT-ESJ-12	M8	6.4	6.3	10	M6	6.0	12	Tr10x2	17	Tr10x2 <sup>92)</sup>	18
SHT-ESJ-20	M10	8.6	6.4	11	M8	7.0	20	Tr18x4	26	12h9	23
SHT-ESJ-30	M16	12.6	11.0	18	M12	10.6	30	Tr24x5	38	14h9	36

<sup>92)</sup> Lead screw end unmachined

<sup>117)</sup> In the event of severe temperature fluctuations during transport, storage and use, thermal expansion effects cannot be ruled out

Hygienic design



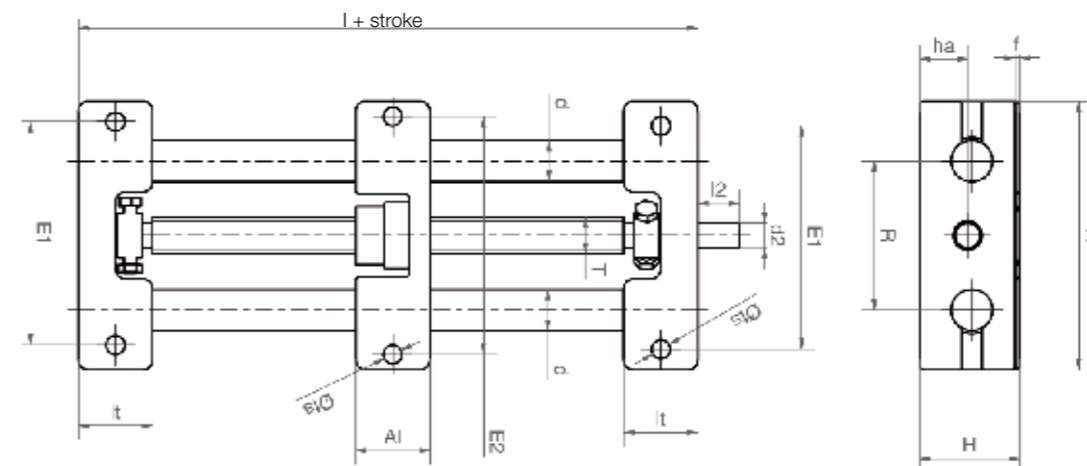
## Order key

Order example

### SHTC-20-EWM-HYD

Variable	Dimension	Shaft material	Hygienic design
----------	-----------	----------------	-----------------

- Lightweight
- For washdown
- Wide gaps
- Materials: plastic and stainless steel
- Lead screw nuts made of FDA-compliant iglidur® A180
- Available accessories ▶ **Page 1503**



**FDA** The lead screw linear unit can be delivered complete with FDA-compliant materials.

## Dimensions [mm]

Part No.	A	Al	H	E1	E2	I	R	f	lt	ts	d	T	l2	d2	ha
	-0.3	-0.3		±0.15	±0.15										
SHTC-20-EWM-HYD	130	35	48	108	115	108	72	2	36	9.0	20	Tr18x4	26	12 h9	23