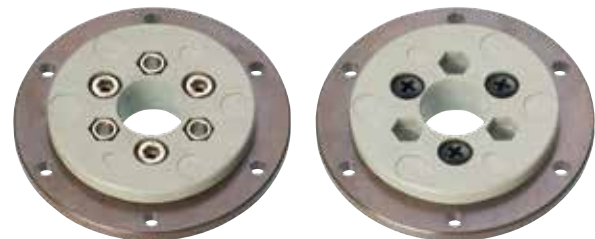
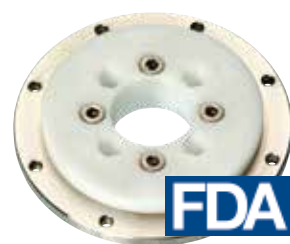


Standard      Stainless steel version



Low-cost version      All plastic version



FDA-compliant

### Order key

Type	Size [mm]	Options
PRT-02-	20	-AL-A180
Slewing ring	Design	Inner Ø
		Body material
		Collar clamps

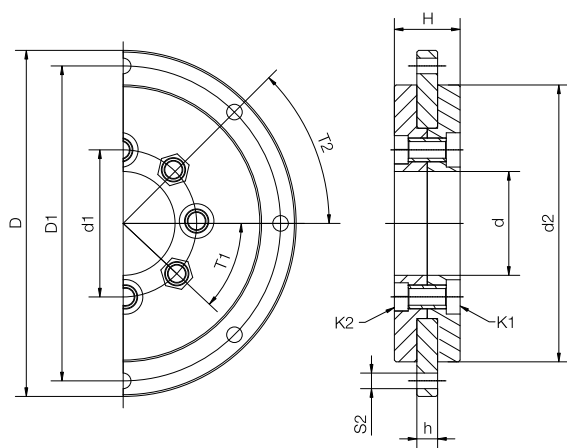
#### Options:

##### Body material

AL: Aluminium  
ES: 316 stainless steel  
LC: Low-cost  
P: Solid plastic

##### Collar clamps

Blank: iglidur® J4  
A180: iglidur® A180, FDA-compliant



- Slewing rings with extremely light weight
- Outer ring made from anodised aluminium, 316 stainless steel (upon request) or iguton G
- Collar clamps made from iglidur® J4 or FDA-compliant iglidur® A180
- 30% lighter with plastic screws

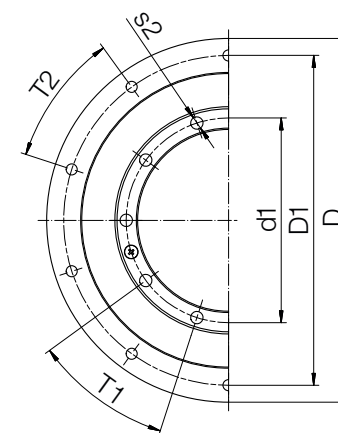
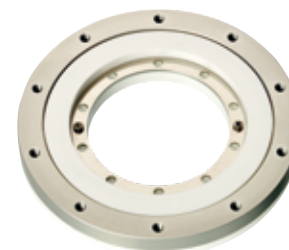
### Dimensions [mm]

D	D1	d1	d	d2	H	h	T1	T2	S2	K1 for screw	K2 for screw nut	Part No.
80	70	31	20	60	16	5	3 x 120°	6 x 60°	4.5	DIN 6912 M5	ISO 4035 M5	PRT-02-20- <input type="checkbox"/>
100	91	42.5	30	80	19	6	4 x 90°	8 x 45°	4.5	DIN 7984 M5	ISO 4035 M5	PRT-02-30- <input type="checkbox"/>
150	135	65	50	120	20	6	16 x 22.5°	8 x 45°	6.6	Through-hole 6.5mm		PRT-02-50- <input type="checkbox"/>
160	145	86.0	60	130	30	10	12 x 30°	20 x 18°	5.5	Counterbore Ø16 and 6.5 deep		PRT-02-60- <input type="checkbox"/> <sup>116)</sup>

<sup>116)</sup> Only available with body made from aluminium and stainless steel

Please add suffix "-A180" for FDA-compliant version

All stainless steel versions upon request

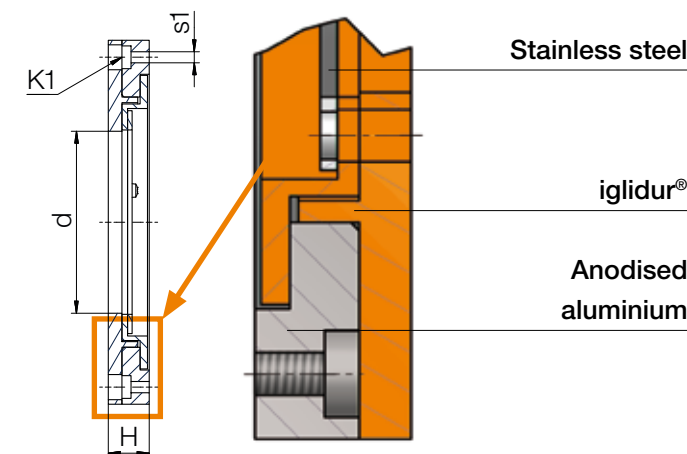


### Order key

Type	Size [mm]
PRT-03-	80
Slewing ring	Design
	Inner Ø

iglidur® PRT slewing rings in a low-cost design. Through consistent downsizing, an additional design has been created that relies even more on plastic.

- Maintenance and lubrication-free
- Cost-effective and lightweight
- Reduced space requirement
- Ready-to-fit
- For temperatures from 0 to +60°C



### Dimension [mm]

D	D1	d1	d	H	T1	T2	s1	s2	K1 for screw	Part No.
160	145	90	80	18	10 x 36°	10 x 36°	M6	5.5	DIN 7984 M6	PRT-03-80