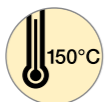




igidur® J



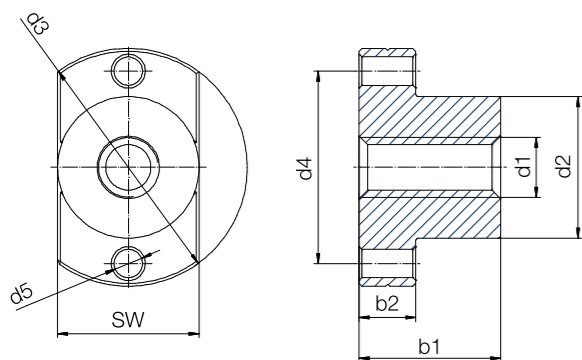
igidur® J350



igidur® R



igidur® A180



Technical data

Thread	Hand of rotation		Effective supporting surface [mm²]	Max. stat. axial F [N] iglidur®	
	right	left		J / J350 / A180	R
Ds4x2.4	●	–	69	125	125
Ds5x5	●	–	66	152	152
Ds6.35x2.54	●	●	199	125	125
Ds6.35x5.08	●	–	156	125	125
Ds6.35x12.7	●	–	78	125	125
Ds6.35x25.4	●	–	114	125	125
Ds8x10	●	●	203	507	406
Ds8x15	●	●	205	513	410
Ds8x24	●	●	173	432.5	346
Ds10x12	●	●	343	858	686
Ds10x25	●	●	312	779	623
Ds10x50	●	●	253	632	506
Ds12x5	●	–	581	1,452	1,162
Ds12x15	●	–	923	1,443	1,155
Ds12x25	●	–	562	1,405	1,124
Ds14x25	●	●	576	1,440	1,152
Ds14x30	●	–	571	1,427	1,142
Ds14x40.6	●	–	562	1,405	1,124
Ds16x35	●	–	668	1,669	1,335
Ds18x24	●	●	821	2,053	1,643
Ds18x40	●	●	764	1,911	1,529

Order key

Type	SW	d2	b1	Thread
------	----	----	----	--------

DST-□ F R M-25 25 25 DS 10X12

dryspin® technology	igidur® material	Form F	Hand of rotation	Metric	Spanner flat [mm]	Outer Ø [mm]	Length [mm]	Thread type	Diameter [mm]	Pitch
---------------------	------------------	--------	------------------	--------	-------------------	--------------	-------------	-------------	---------------	-------

Options:  
Hand of rotation  
R: Right-hand thread  
L: Left-hand thread

- J** High efficiency at all speeds
- J350** For temperatures up to +150°C
- R** The cost-effective option for high volume
- A180** FDA-compliant for the food and pharmaceutical industries

Dimensions [mm]

d1 <sup>156)</sup>	d2 <sup>156)</sup>	d3	d4	d5	b1 <sup>156)</sup>	b2	SW	Weight [g] iglidur®				Part No.
								J	J350	R	A180	
4.0	13	25	19	3.2	15	5	13	4.1	3.98	3.84	4.04	DST-□FRM-131315DS4X2.4
5.0	13	25	19	3.2	15	5	13	3.7	3.6	3.4	3.6	DST-□FRM-131315DS5X5
6.35	13	25	19	3.2	15	5	13	3.7	3.6	3.4	3.6	DST-□F□M-131315DS6.35X2.54
6.35	13	25	19	3.2	15	5	13	3.7	3.6	3.4	3.6	DST-□FRM-131315DS6.35X5.08
6.35	13	25	19	3.2	15	5	13	3.7	3.6	3.4	3.6	DST-□FRM-131315DS6.35X12.7
6.35	13	25	19	3.2	15	5	13	3.7	3.6	3.4	3.6	DST-□FRM-131315DS6.35X25.4
8	20	36	28	4	20	8	20	12.7	12.3	11.8	12.4	DST-□F□M-202020DS8X10
8	20	36	28	4	20	8	20	12.7	12.3	11.8	12.4	DST-□F□M-202020DS8X15
8	20	36	28	4	20	8	20	12.7	12.3	11.8	12.4	DST-□F□M-202020DS8X24
10	25	42	34	5	25	10	25	23.7	22.9	22.1	23.2	DST-□F□M-252525DS10X12
10	25	42	34	5	25	10	25	23.7	22.9	22.1	23.2	DST-□F□M-252525DS10X25
10	25	42	34	5	25	10	25	23.7	22.9	22.1	23.2	DST-□F□M-252525DS10X50
12	28	48	38	6	35	12	28	39.2	37.9	36.6	38.4	DST-□FRM-282835DS12X5
12	28	48	38	6	35	18	28	39.2	37.9	36.6	38.4	DST-□FRM-282835DS12X15
12	28	48	38	6	35	12	28	39.2	37.9	36.6	38.4	DST-□FRM-282835DS12X25
14	28	48	38	6	35	12	28	37.1	35.9	34.6	36.4	DST-□F□M-282835DS14X25
14	28	48	38	6	35	12	28	37.1	35.9	34.6	36.4	DST-□FRM-282835DS14X30
14	28	48	38	6	35	12	28	37.1	35.9	34.6	36.4	DST-□FRM-282835DS14X40.6
16	28	48	38	6	35	12	28	34.6	33.5	32.3	33.9	DST-□FRM-282835DS16X35
18	28	48	38	6	35	12	28	31.9	30.8	29.7	31.2	DST-□F□M-282835DS18X24
18	28	48	38	6	35	12	28	31.9	30.8	29.7	31.2	DST-□F□M-282835DS18X40

<sup>156)</sup> Tolerances according to DIN ISO 2768-1, tolerance class m (medium)

## Technical data

Thread	Hand of rotation		Effective supporting surface [mm <sup>2</sup> ]	Max. stat. axial F [N] iglidur®	
	right	left		J / J350 / A180	R
Ds18x80	●	●	528	1,319	1,056
Ds18x100	●	●	463	1,158	926
Ds20x20	●	●	1,083	2,707	2,165
Ds20x50	●	–	729	1,822	1,458
Ds20x60	●	●	729	1,822	1,458
Ds20x80	●	●	755	1,888	1,510
Ds20x90	●	●	671	1,678	1,342

## Dimensions [mm]

d1 <sup>156)</sup>	d2 <sup>156)</sup>	d3	d4	d5	b1 <sup>156)</sup>	b2	SW	Weight [g] iglidur®				Part No.
								J	J350	R	A180	
18	28	48	38	6	35	12	28	31.9	30.8	29.7	31.2	DST-□F□M-282835DS18X80
18	28	48	38	6	35	12	28	31.9	30.8	29.7	31.2	DST-□F□M-282835DS18X100
20	32	55	45	7	44	12	32	49.2	47.6	45.9	48.2	DST-□F□M-323244DS20X20
20	32	55	45	7	44	12	32	49.2	47.6	45.9	48.2	DST-□F□M-323244DS20X50
20	32	55	45	7	44	12	32	49.2	47.6	45.9	48.2	DST-□F□M-323244DS20X60
20	32	55	45	7	44	12	32	49.2	47.6	45.9	48.2	DST-□F□M-323244DS20X80
20	32	55	45	7	44	12	32	49.2	47.6	45.9	48.2	DST-□F□M-323244DS20X90

<sup>156)</sup> Tolerances according to DIN ISO 2768-1, tolerance class m (medium)