



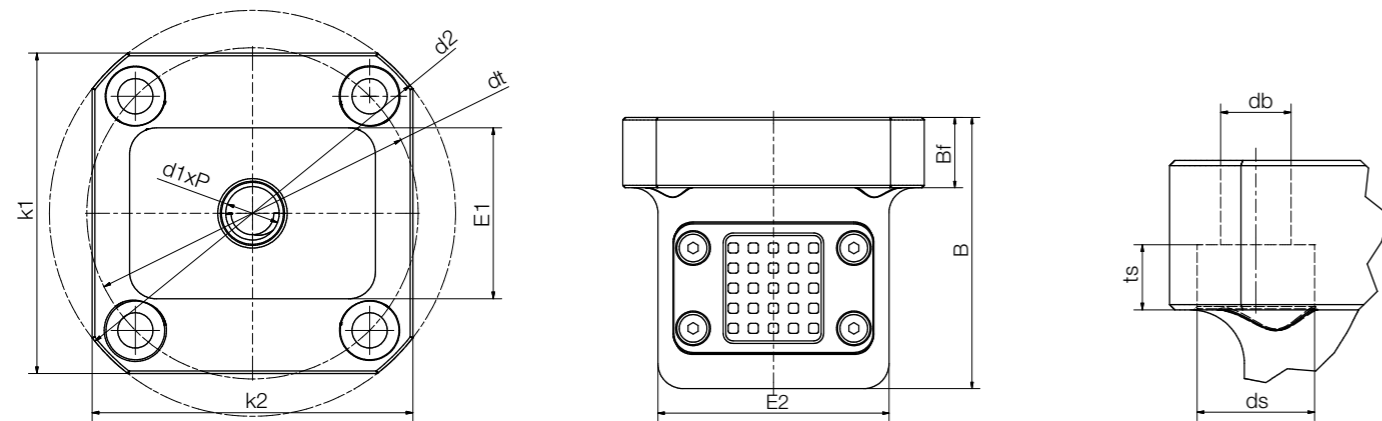
Part number Thread

F T R M- FF - 10X2

Form F	Trapezoidal thread	Hand of rotation	Metric	Fast Forward	Diameter	Pitch
--------	--------------------	------------------	--------	--------------	----------	-------

Quick release mechanism: A combination of accurate positioning and fast manual adjustment with trapezoidal lead screw nuts.

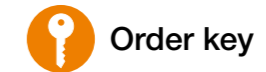
- For quick format adjustments
- Incl. 'stop/go' through automatic self-locking with thread
- Housing: AL anodised, lead screw nut made from iglidur® J
- Tough and reliable
- Only recommended for horizontal applications
- Max. axial load stat.: 200N, dyn.: 50N
see SHT-FF ► Page 1380



Dimensions [mm]

Thread	d2 ¹⁵⁶⁾	dt	B	Bf	ts	db	ds	k1	k2	E1	E2	Part No.
Tr10x2	76	62	54	14	6.1	6.6	11	60	60	32	46	FTRM-FF-10X2

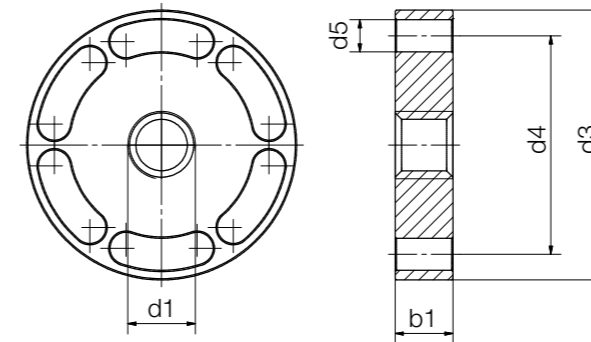
¹⁵⁶⁾ Tolerances according to DIN ISO 2768-1, tolerance class m (medium)



Type d3 b1 Thread

J D R M- 42 09 TR 10X2

Material iglidur®	Form: disc	Hand of rotation	Metric	Outer Ø [mm]	Height [mm]	Trapezoidal thread	Diameter	Pitch
-------------------	------------	------------------	--------	--------------	-------------	--------------------	----------	-------



Material properties:
igidur® J ► Page 159

Technical data and dimensions [mm]

Thread	Effective supporting surface [mm ²]	Max. stat. axial F ⁴⁹⁾ [N]	d1 ¹⁵⁶⁾	d3	d4	d5	b1 ¹⁵⁶⁾	Weight [g]	Part No.
Tr10x2	127	508	10	42	34	5	9	17.5	JDRM-4209TR10X2
Tr12x3	181	724	12	48	38	6	11	27.8	JDRM-4811TR12X3
Tr14x4	207	828	14	48	38	6	11	27.1	JDRM-4811TR14X4
Tr16x4	241	964	16	48	38	6	11	26.4	JDRM-4811TR16X4
Tr18x4	276	1,104	18	48	38	6	11	25.5	JDRM-4811TR18X4
Tr20x4	367	1,468	20	55	45	7	13	39.9	JDRM-5513TR20X4
Tr24x5	439	1,756	24	55	45	7	13	37.3	JDRM-5513TR24X5
Tr30x6	551	2,204	30	62	50	7	14	48.2	JDRM-6214TR30X6
Tr36x6	829	3,316	36	70	58	7	16	67.5	JDRM-7016TR36X6

⁴⁹⁾ Max. stat. F axial can be added when used with flange nut

¹⁵⁶⁾ Tolerances according to DIN ISO 2768-1, tolerance class m (medium)