



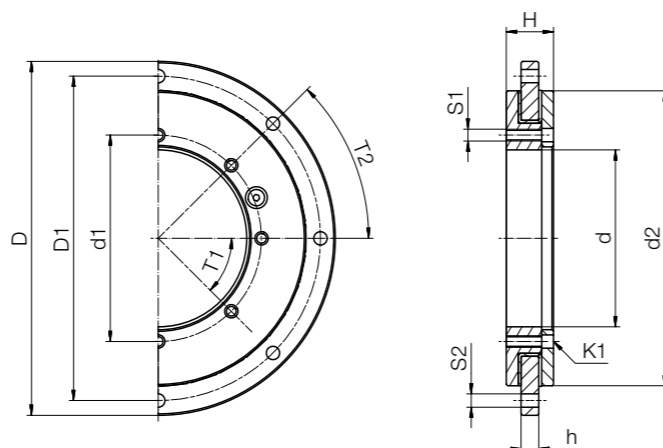
Order key

Type Size [mm]

PRT-04-50

Slewing ring
Design
Inner Ø

- Available with diameters from 50mm to 300mm
- 60% lighter and 50% more compact compared to PRT-01
- 20% more cost-effective compared to PRT-01
- Wear-resistant, lubrication-free and maintenance-free iglidur® sliding elements



Dimension [mm]

| D | D1 | d1 | d | d2 | H | h | T1 | T2 | S1 | S2 | K1 | Part No. |
|-----|-----|-----|-----|-----|----|---|------------|------------|----|-------|-------|-------------------|
| | | | | | | | | | | | | for screw |
| 110 | 100 | 60 | 50 | 90 | 16 | 6 | 8 × 45° | 8 × 45° | M4 | Ø 4.5 | Ø 4.5 | PRT-04-50 |
| 120 | 110 | 70 | 60 | 100 | 16 | 6 | 8 × 45° | 8 × 45° | M4 | Ø 4.5 | Ø 4.5 | PRT-04-60 |
| 160 | 150 | 110 | 100 | 140 | 16 | 6 | 8 × 45° | 8 × 45° | M4 | Ø 4.5 | Ø 4.5 | PRT-04-100 |
| 210 | 200 | 160 | 150 | 190 | 16 | 6 | 16 × 22.5° | 16 × 22.5° | M4 | Ø 4.5 | Ø 4.5 | PRT-04-150 |
| 260 | 250 | 210 | 200 | 240 | 16 | 6 | 16 × 22.5° | 16 × 22.5° | M4 | Ø 4.5 | Ø 4.5 | PRT-04-200 |
| 360 | 350 | 310 | 300 | 340 | 16 | 6 | 16 × 22.5° | 16 × 22.5° | M4 | Ø 4.5 | Ø 4.5 | PRT-04-300 |



With outer spacing ring

With large outer support ring

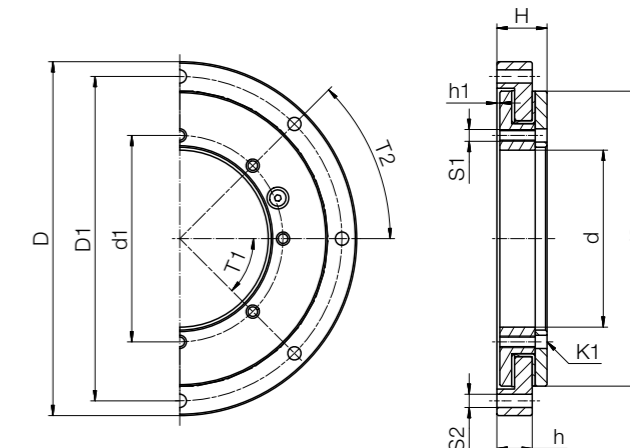
Order key

Type Size [mm] Options

PRT-04- 50 -M4

Slewing ring
Design
Inner Ø
Thread

- Available for PRT-01 and PRT-04
- Maintenance-free and wear-resistant
- Easy to fit
- Replaceable sliding elements



Dimension [mm]

| D | D1 | d1 | d | d2 | H | h1 | h | T1 | T2 | S1 | S2 | K1 | Part No. |
|-------------------------------------|-----|-----|-----|-----|----|----|----|------------|------------|----|-------|-------|-----------------------|
| | | | | | | | | | | | | | for screw |
| With M4 thread in outer ring | | | | | | | | | | | | | |
| 110 | 100 | 60 | 50 | 90 | 16 | - | 6 | 8 × 45° | 8 × 45° | M4 | M4 | Ø 4.5 | PRT-04-50-M4 |
| 120 | 110 | 70 | 60 | 100 | 16 | - | 6 | 8 × 45° | 8 × 45° | M4 | M4 | Ø 4.5 | PRT-04-60-M4 |
| 160 | 150 | 110 | 100 | 140 | 16 | - | 6 | 8 × 45° | 8 × 45° | M4 | M4 | Ø 4.5 | PRT-04-100-M4 |
| 210 | 200 | 160 | 150 | 190 | 16 | - | 6 | 16 × 22.5° | 16 × 22.5° | M4 | M4 | Ø 4.5 | PRT-04-150-M4 |
| 260 | 250 | 210 | 200 | 240 | 16 | - | 6 | 16 × 22.5° | 16 × 22.5° | M4 | M4 | Ø 4.5 | PRT-04-200-M4 |
| 360 | 350 | 310 | 300 | 340 | 16 | - | 6 | 16 × 22.5° | 16 × 22.5° | M4 | M4 | Ø 4.5 | PRT-04-300-M4 |
| With enlarged outer ring | | | | | | | | | | | | | |
| 150 | 135 | 60 | 50 | 90 | 16 | - | 6 | 8 × 45° | 16 × 22.5° | M4 | Ø 6.6 | Ø 4.5 | PRT-04-50-G |
| 160 | 160 | 70 | 60 | 100 | 16 | - | 6 | 8 × 45° | 20 × 18° | M4 | Ø 5.5 | Ø 4.5 | PRT-04-60-G |
| 185 | 185 | 110 | 100 | 140 | 16 | - | 6 | 8 × 45° | 16 × 22.5° | M4 | Ø 4.5 | Ø 4.5 | PRT-04-100-G |
| 250 | 250 | 160 | 150 | 190 | 16 | - | 6 | 16 × 22.5° | 16 × 22.5° | M4 | Ø 4.5 | Ø 4.5 | PRT-04-150-G |
| 300 | 300 | 210 | 200 | 240 | 16 | - | 6 | 16 × 22.5° | 16 × 22.5° | M4 | Ø 5.5 | Ø 4.5 | PRT-04-200-G |
| 450 | 450 | 310 | 300 | 340 | 16 | - | 6 | 16 × 22.5° | 16 × 22.5° | M4 | Ø 9.0 | Ø 4.5 | PRT-04-300-G |
| With outer spacing ring | | | | | | | | | | | | | |
| 110 | 100 | 60 | 50 | 90 | 17 | 1 | 12 | 8 × 45° | 8 × 45° | M4 | Ø 4.5 | Ø 4.5 | PRT-04-50-DRI |
| 120 | 110 | 70 | 60 | 100 | 17 | 1 | 12 | 8 × 45° | 8 × 45° | M4 | Ø 4.5 | Ø 4.5 | PRT-04-60-DRI |
| 160 | 150 | 110 | 100 | 140 | 17 | 1 | 12 | 8 × 45° | 8 × 45° | M4 | Ø 4.5 | Ø 4.5 | PRT-04-100-DRI |
| 210 | 200 | 160 | 150 | 190 | 17 | 1 | 12 | 16 × 22.5° | 16 × 22.5° | M4 | Ø 4.5 | Ø 4.5 | PRT-04-150-DRI |
| 260 | 250 | 210 | 200 | 240 | 17 | 1 | 12 | 16 × 22.5° | 16 × 22.5° | M4 | Ø 4.5 | Ø 4.5 | PRT-04-200-DRI |
| 360 | 350 | 310 | 300 | 340 | 17 | 1 | 12 | 16 × 22.5° | 16 × 22.5° | M4 | Ø 4.5 | Ø 4.5 | PRT-04-300-DRI |