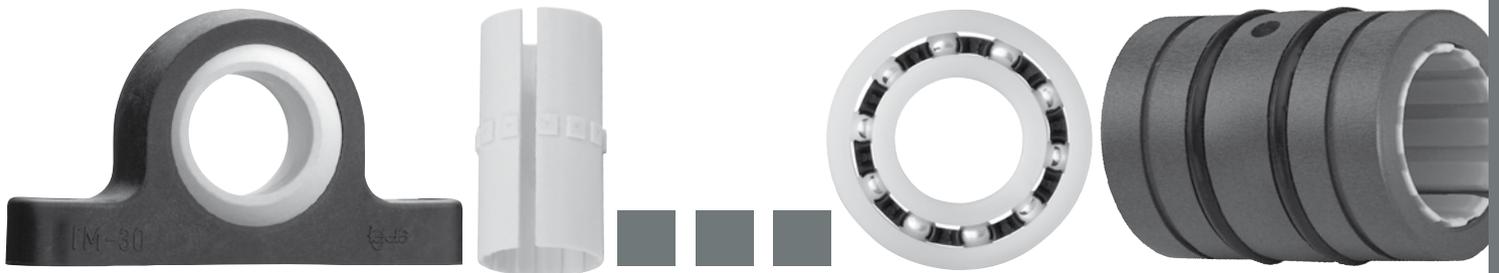
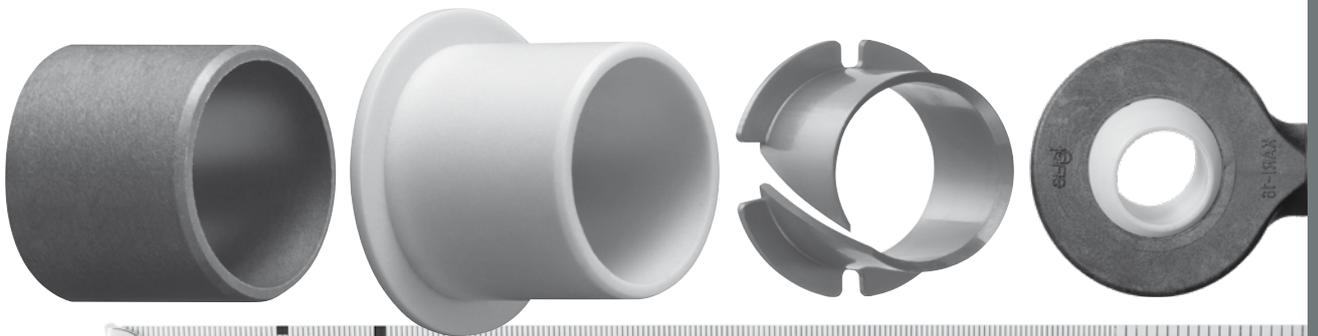


Inch



Catalogue products
in imperial sizes



plastics

iglidur® – plain bearings

Standard product range overview	▶ Page 1551
Sleeve bearings	
iglidur® A181 , the universal bearing for food contact	▶ Page 1554
iglidur® A200 , the "food-classic" for low duty	▶ Page 1555
iglidur® A350 , the endurance runner at higher temperatures in the food sector	▶ Page 1556
iglidur® A500 , the media and temperature specialist in the food sector	▶ Page 1557
iglidur® G , the classic all-rounder	▶ Page 1558
iglidur® H1 , endurance runner with high media resistance	▶ Page 1560
iglidur® H370 , extremely long service life under water	▶ Page 1562
iglidur® J , the versatile endurance runner	▶ Page 1563
iglidur® J3 , specialist for pivoting and pulsating loads	▶ Page 1565
iglidur® J350 , endurance runner with high dimensional stability at high temperature	▶ Page 1566
iglidur® M250 , the robust all-rounder according to ISO 2795	▶ Page 1567
iglidur® P , the cost-effective outdoor all-rounder	▶ Page 1570
iglidur® P210 , specialist for pivoting, rolling applications and more	▶ Page 1571
iglidur® Q , the peak of stability	▶ Page 1573
iglidur® Q2 , the durable heavy-duty bearing	▶ Page 1573
iglidur® W300 , the classic endurance runner up to 30MPa	▶ Page 1575
iglidur® X , the chemical and temperature specialist	▶ Page 1577
iglidur® Z , extremely long service life under extreme conditions	▶ Page 1579
Flanged bearings	
iglidur® A181 , the universal bearing for food contact	▶ Page 1581
iglidur® A200 , the "food-classic" for low duty	▶ Page 1582
iglidur® A350 , the endurance runner at higher temperatures in the food sector	▶ Page 1582
iglidur® A500 , the media and temperature specialist in the food sector	▶ Page 1583
iglidur® G , the classic all-rounder	▶ Page 1584
iglidur® H1 , endurance runner with high media resistance	▶ Page 1586
iglidur® H370 , extremely long service life under water	▶ Page 1587
iglidur® J , the versatile endurance runner	▶ Page 1588
iglidur® J3 , specialist for pivoting and pulsating loads	▶ Page 1589
iglidur® J350 , endurance runner with high dimensional stability at high temperature	▶ Page 1590
iglidur® M250 , the robust all-rounder according to ISO 2795	▶ Page 1591
iglidur® P , the cost-effective outdoor all-rounder	▶ Page 1594
iglidur® P210 , specialist for pivoting, rolling applications and more	▶ Page 1594
iglidur® Q , the peak of stability	▶ Page 1595
iglidur® Q2 , the durable heavy-duty bearing	▶ Page 1596
iglidur® W300 , the classic endurance runner up to 30MPa	▶ Page 1597
iglidur® X , the chemical and temperature specialist	▶ Page 1598
iglidur® Z , extremely long service life under extreme conditions	▶ Page 1600
Thrust washers	
iglidur® A200 , the "food-classic" for low duty	▶ Page 1601
iglidur® G , the classic all-rounder	▶ Page 1601
iglidur® M250 , the robust all-rounder according to ISO 2795	▶ Page 1601
iglidur® W300 , the classic endurance runner up to 30MPa	▶ Page 1602
iglidur® X , the chemical and temperature specialist	▶ Page 1602

iglidur® – more products

MCI , clip bearings	▶ Page 1603
MYI , split bearings	▶ Page 1604
MYI-K , split bearings with anti-rotation feature	▶ Page 1604
JVSI , clearance-free, pre-loaded bearings	▶ Page 1605
PEPSI , plastic plain bearing system for all shaft surfaces	▶ Page 1605

igubal® – spherical bearings

Rod ends	
EBLI / EBRI , female thread	▶ Page 1606
KALI / KARI , male thread	▶ Page 1607
KBLI / KBRI , male thread	▶ Page 1608
Pillow block bearings	
KSTI	▶ Page 1610
Spherical bearings	
KGLI	▶ Page 1610
Spherical balls	
WKI / WEI , iglidur® W300	▶ Page 1610

xiros® – polymer ball bearings

xirodur® B180	▶ Page 1611
----------------------	-------------

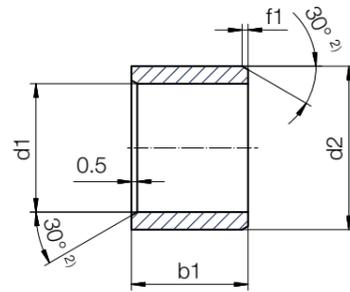
drylin® R – shaft guides

Liners	
JUI-01 , closed design	▶ Page 1612
JUIO-01 , open design	▶ Page 1612
RJI-01 , solid plastic bearings	▶ Page 1613
RJIP-01 , solid plastic bearings, precise	▶ Page 1613
Adapters	
OJUIO-01 , open design	▶ Page 1614
OJUI-03 , open design, floating bearings	▶ Page 1614
RJUI-01 , closed design	▶ Page 1615
RJUI-03 , closed design, floating bearings	▶ Page 1615
TJUI-01 , split adapters	▶ Page 1616
TJUI-03 , split adapters with floating bearings	▶ Page 1616

drylin® – lead screw technology

ACME thread	
ACME-ES , lead screws	▶ Page 1617
SRI , cylindrical lead screw nuts	▶ Page 1618
FRI , lead screw nuts with flange	▶ Page 1619
J4FRI , lead screw nuts with flange	▶ Page 1620

Sleeve bearings (form S)



Order key

Type: **S** Dimensions [inch]: **I -0203-03**

iglidur® material	Form S
	Inch
	Inner Ø d1
	Outer Ø d2
	Total length b1

Choose the suitable material and dimensions for your application



Dimensions according to ISO 3547-1

²⁾ Thickness < 1mm: chamfer = 20°

Chamfer in relation to d1

d1 [inch]	f [inch]
Ø .040–.236	.012
Ø .236–.472	.019
Ø .472–1.18	.031
Ø > 1.18	.047

Dimensions [inch]

d1	d2	b1	Part No.
1/8	3/16	3/16	SI-0203-03
3/16	1/4	1/4	SI-0304-04
3/16	1/4	3/8	SI-0304-06
1/4	5/16	3/8	SI-0405-06
1/4	5/16	1/2	SI-0405-08
5/16	3/8	1/4	SI-0506-04
5/16	3/8	3/8	SI-0506-06
5/16	3/8	1/2	SI-0506-08
3/8	15/32	1/4	SI-0607-04
3/8	15/32	3/8	SI-0607-06
3/8	15/32	1/2	SI-0607-08
3/8	15/32	5/8	SI-0607-10
3/8	15/32	3/4	SI-0607-12

d1	d2	b1	Part No.
7/16	17/32	1/2	SI-0708-08
7/16	17/32	3/7	SI-0708-12
1/2	19/32	1/4	SI-0809-04
1/2	19/32	3/8	SI-0809-06
1/2	19/32	1/2	SI-0809-08
1/2	19/32	5/8	SI-0809-10
1/2	19/32	3/4	SI-0809-12
1/2	19/32	1	SI-0809-16
9/16	21/32	1/2	SI-0910-08
9/16	21/32	5/8	SI-0910-10
9/16	21/32	3/4	SI-0910-12
5/8	23/32	1/2	SI-1011-08
5/8	23/32	3/4	SI-1011-12

Absolute flexibility: all iglidur® standard sizes available from stock

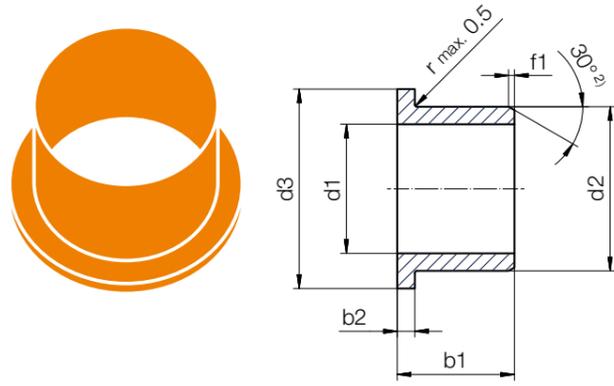
G	The classic all-rounder
P210	Specialist for pivoting, rolling applications and more
P	The cost-effective outdoor all-rounder
J	The versatile endurance runner
W(300)	The classic endurance runner up to 30MPa
J3	The new endurance runner: specialist for pivoting and pulsating loads
J350	Endurance runner with high dimensional stability at high temperature
X	The chemical and temperature specialist
Z	Extremely long service life under extreme conditions
H1	Endurance runner with high media resistance
H370	Extremely long service life under water
A181	The universal bearing for food contact
A350	The endurance runner at higher temperatures in the food sector
A500	The media and temperature specialist in the food sector
Q2	The durable heavy-duty bearing

Dimensions [inch]

d1	d2	b1	Part No.
5/8	23/32	1	SI-1011-16
3/4	7/8	1/2	SI-1214-08
3/4	7/8	3/4	SI-1214-12
3/4	7/8	1	SI-1214-16
7/8	1	1/2	SI-1416-08
7/8	1	3/4	SI-1416-12
7/8	1	1	SI-1416-16
1	1 1/8	1/2	SI-1618-08
1	1 1/8	3/4	SI-1618-12
1	1 1/8	1	SI-1618-16
1 1/8	1 9/32	3/4	SI-1820-12
1 1/8	1 9/32	1	SI-1820-16
1 1/8	1 9/32	1 1/4	SI-1820-20

d1	d2	b1	Part No.
1 1/4	1 13/32	3/4	SI-2022-12
1 1/4	1 13/32	1	SI-2022-16
1 1/4	1 13/32	1 1/4	SI-2022-20
1 1/2	1 21/32	1	SI-2426-16
1 1/2	1 21/32	1 1/2	SI-2426-24
1 5/8	1 25/32	1	SI-2629-16
1 5/8	1 25/32	1 1/2	SI-2629-24
1 3/4	1 15/16	1	SI-2831-16
1 3/4	1 15/16	2	SI-2831-32
1 7/8	2 1/16	1	SI-3033-16
1 7/8	2 1/16	2	SI-3033-32
2	2 3/16	1	SI-3235-16
2	2 3/16	2	SI-3235-32

Flanged bearing (form F)



Order key

Type: **F** | Dimensions [inch]: **I -0203-03**

iglidur® material: **Form F**, **Inch**, **Inner Ø d1**, **Outer Ø d2**, **Total length b1**

Choose the suitable material and dimensions for your application

Dimensions according to ISO 3547-1

2) Thickness < 1mm: chamfer = 20°

Chamfer in relation to d1

d1 [inch]	f [inch]
Ø .040–.236	.012
Ø .236–.472	.019
Ø .472–1.18	.031
Ø > 1.18	.047

Dimensions [inch]

d1	d2	b1	d3	b2 h13	Part No.
1/8	3/16	3/16	.312	.0320	FI-0203-03
3/16	1/4	1/4	.375	.0320	FI-0304-04
1/4	5/16	3/8	.430	.0320	FI-0405-06
1/4	5/16	1/2	.500	.0320	FI-0405-08
5/16	3/8	1/4	.500	.0320	FI-0506-04
5/16	3/8	3/8	.500	.0320	FI-0506-06
5/16	3/8	1/2	.500	.0320	FI-0506-08
3/8	15/32	1/4	.687	.0460	FI-0607-04
3/8	15/32	3/8	.687	.0460	FI-0607-06
3/8	15/32	1/2	.687	.0460	FI-0607-08
3/8	15/32	3/4	.687	.0460	FI-0607-12
7/16	17/32	1/2	.750	.0460	FI-0708-08
1/2	19/32	1/4	.875	.0460	FI-0809-04
1/2	19/32	3/8	.875	.0460	FI-0809-06
1/2	19/32	1/2	.875	.0460	FI-0809-08
1/2	19/32	3/4	.875	.0460	FI-0809-12
1/2	19/32	1	.875	.0460	FI-0809-16
5/8	23/32	1/2	.937	.0460	FI-1011-08

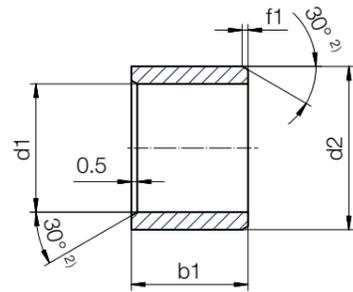
Absolute flexibility: all iglidur® standard sizes available from stock

G	The classic all-rounder
P210	Specialist for pivoting, rolling applications and more
P	The cost-effective outdoor all-rounder
J	The versatile endurance runner
W(300)	The classic endurance runner up to 30MPa
J3	The new endurance runner: specialist for pivoting and pulsating loads
J350	Endurance runner with high dimensional stability at high temperature
X	The chemical and temperature specialist
Z	Extremely long service life under extreme conditions
H1	Endurance runner with high media resistance
H370	Extremely long service life under water
A181	The universal bearing for food contact
A350	The endurance runner at higher temperatures in the food sector
A500	The media and temperature specialist in the food sector
Q2	The durable heavy-duty bearing

Dimensions [inch]

d1	d2	b1	d3	b2 h13	Part No.
5/8	23/32	3/4	.937	.0460	FI-1011-12
5/8	23/32	1	.937	.0460	FI-1011-16
3/4	7/8	1/2	1.125	.0620	FI-1214-08
3/4	7/8	3/4	1.125	.0620	FI-1214-12
3/4	7/8	1	1.125	.0620	FI-1214-16
7/8	1	1/2	1.250	.0620	FI-1416-08
7/8	1	3/4	1.250	.0620	FI-1416-12
7/8	1	1	1.250	.0620	FI-1416-16
1	1 1/8	1/2	1.375	.0620	FI-1618-08
1	1 1/8	3/4	1.375	.0620	FI-1618-12
1	1 1/8	1	1.375	.0620	FI-1618-16
1 1/4	1 13/32	1	1.687	.0780	FI-2022-16
1 1/4	1 13/32	1 1/4	1.687	.0780	FI-2022-20
1 1/2	1 21/32	1	2.000	.0780	FI-2426-16
1 1/2	1 21/32	1 1/2	2.000	.0780	FI-2426-24
1 3/4	1 15/16	2	2.375	.0930	FI-2831-32
2	2 3/16	2	2.625	.0930	FI-3235-32

Sleeve bearings (form S)



Chamfer in relation to d1

d1 [inch]	f [inch]
Ø 0.040–0.236	0.012
Ø 0.236–0.472	0.019
Ø 0.472–1.18	0.031
Ø > 1.18	0.047

Image exemplary

iglidur® A181 Chapter ▶ Page 377

d1	d2	b1	d1 ³⁾		Housing hole		Shaft size		Part No.
			Max.	Min.	Max.	Min.	Max.	Min.	
1/8	3/16	3/16	.1269	.1251	.1878	.1873	.1243	.1236	A181SI-0203-03
3/16	1/4	1/4	.1892	.1873	.2503	.2497	.1865	.1858	A181SI-0304-04
3/16	1/4	3/8	.1892	.1873	.2503	.2497	.1865	.1858	A181SI-0304-06
1/4	5/16	3/8	.2521	.2498	.3128	.3122	.2490	.2481	A181SI-0405-06
1/4	5/16	1/2	.2521	.2498	.3128	.3122	.2490	.2481	A181SI-0405-08
5/16	3/8	1/4	.3148	.3125	.3753	.3747	.3115	.3106	A181SI-0506-04
5/16	3/8	3/8	.3148	.3125	.3753	.3747	.3115	.3106	A181SI-0506-06
5/16	3/8	1/2	.3148	.3125	.3753	.3747	.3115	.3106	A181SI-0506-08
3/8	15/32	1/4	.3773	.3750	.4691	.4684	.3740	.3731	A181SI-0607-04
3/8	15/32	3/8	.3773	.3750	.4691	.4684	.3740	.3731	A181SI-0607-06
3/8	15/32	1/2	.3773	.3750	.4691	.4684	.3740	.3731	A181SI-0607-08
3/8	15/32	5/8	.3773	.3750	.4691	.4684	.3740	.3731	A181SI-0607-10
3/8	15/32	3/4	.3773	.3750	.4691	.4684	.3740	.3731	A181SI-0607-12
7/16	17/32	1/2	.4406	.4379	.5316	.5309	.4365	.4355	A181SI-0708-08
7/16	17/32	3/4	.4406	.4379	.5316	.5309	.4365	.4355	A181SI-0708-12
1/2	19/32	1/4	.5030	.5003	.5941	.5934	.4990	.4980	A181SI-0809-04
1/2	19/32	3/8	.5030	.5003	.5941	.5934	.4990	.4980	A181SI-0809-06
1/2	19/32	1/2	.5030	.5003	.5941	.5934	.4990	.4980	A181SI-0809-08
1/2	19/32	5/8	.5030	.5003	.5941	.5934	.4990	.4980	A181SI-0809-10
1/2	19/32	3/4	.5030	.5003	.5941	.5934	.4990	.4980	A181SI-0809-12
1/2	19/32	1	.5030	.5003	.5941	.5934	.4990	.4980	A181SI-0809-16
9/16	21/32	1/2	.5655	.5627	.6566	.6559	.5615	.5605	A181SI-0910-08
9/16	21/32	5/8	.5655	.5627	.6566	.6559	.5615	.5605	A181SI-0910-10
9/16	21/32	3/4	.5655	.5627	.6566	.6559	.5615	.5605	A181SI-0910-12
5/8	23/32	1/2	.6280	.6253	.7192	.7184	.6240	.6230	A181SI-1011-08
5/8	23/32	3/4	.6280	.6253	.7192	.7184	.6240	.6230	A181SI-1011-12
5/8	23/32	1	.6280	.6253	.7192	.7184	.6240	.6230	A181SI-1011-16
3/4	7/8	1/2	.7541	.7505	.8755	.8747	.7491	.7479	A181SI-1214-08
3/4	7/8	3/4	.7541	.7505	.8755	.8747	.7491	.7479	A181SI-1214-12
3/4	7/8	1	.7541	.7505	.8755	.8747	.7491	.7479	A181SI-1214-16
7/8	1	1/2	.8791	.8757	1.0005	.9997	.8741	.8729	A181SI-1416-08

³⁾ After press-fit. Testing methods ▶ Page 57

d1	d2	b1	d1 ³⁾		Housing hole		Shaft size		Part No.
			Max.	Min.	Max.	Min.	Max.	Min.	
7/8	1	3/4	.8791	.8757	1.0005	.9997	.8741	.8729	A181SI-1416-12
7/8	1	1	.8791	.8757	1.0005	.9997	.8741	.8729	A181SI-1416-16
1	1 1/8	1/2	1.0041	1.0007	1.1255	1.1247	.9991	.9979	A181SI-1618-08
1	1 1/8	3/4	1.0041	1.0007	1.1255	1.1247	.9991	.9979	A181SI-1618-12
1	1 1/8	1	1.0041	1.0007	1.1255	1.1247	.9991	.9979	A181SI-1618-16
1 1/8	1 9/32	3/4	1.1288	1.1254	1.2818	1.2808	1.1238	1.1226	A181SI-1820-12
1 1/8	1 9/32	1	1.1288	1.1254	1.2818	1.2808	1.1238	1.1226	A181SI-1820-16
1 1/8	1 9/32	1 1/4	1.1288	1.1254	1.2818	1.2808	1.1238	1.1226	A181SI-1820-20
1 1/4	1 13/32	3/4	1.2548	1.2508	1.4068	1.4058	1.2488	1.2472	A181SI-2022-12
1 1/4	1 13/32	1	1.2548	1.2508	1.4068	1.4058	1.2488	1.2472	A181SI-2022-16
1 1/4	1 13/32	1 1/4	1.2548	1.2508	1.4068	1.4058	1.2488	1.2472	A181SI-2022-20
1 1/2	1 21/32	1	1.5048	1.5008	1.6568	1.6558	1.4988	1.4972	A181SI-2426-16
1 1/2	1 21/32	1 1/2	1.5048	1.5008	1.6568	1.6558	1.4988	1.4972	A181SI-2426-24
1 5/8	1 25/32	1	1.6297	1.6258	1.7818	1.7808	1.6238	1.6222	A181SI-2629-16
1 5/8	1 25/32	1 1/2	1.6297	1.6258	1.7818	1.7808	1.6238	1.6222	A181SI-2629-24
1 3/4	1 15/16	1	1.7547	1.7507	1.9381	1.9371	1.7487	1.7471	A181SI-2831-16
1 3/4	1 15/16	2	1.7547	1.7507	1.9381	1.9371	1.7487	1.7471	A181SI-2831-32
1 7/8	2 1/16	1	1.8796	1.8757	2.0633	2.0621	1.8737	1.8721	A181SI-3033-16
1 7/8	2 1/16	2	1.8796	1.8757	2.0633	2.0621	1.8737	1.8721	A181SI-3033-32
2	2 3/16	1	2.0057	2.0011	2.1883	2.1871	1.9981	1.9969	A181SI-3235-16
2	2 3/16	2	2.0057	2.0011	2.1883	2.1871	1.9981	1.9969	A181SI-3235-32

iglidur® A200 Chapter ▶ Page 409

d1	d2	b1	d1 ³⁾		Housing hole		Shaft size		Part No.
			Max.	Min.	Max.	Min.	Max.	Min.	
1/8	1/4	1/4	.1280	.1262	.2515	.2510	.1250	.1241	ASI-0204-04
3/16	5/16	1/4	.1905	.1887	.3140	.3135	.1875	.1866	ASI-0305-04
1/4	3/8	1/4	.2539	.2516	.3765	.3760	.2500	.2491	ASI-0406-04
1/4	3/8	3/8	.2539	.2516	.3765	.3760	.2500	.2491	ASI-0406-06
1/4	3/8	1/2	.2539	.2516	.3765	.3760	.2500	.2491	ASI-0406-08
5/16	15/32	1/2	.3164	.3141	.4390	.4385	.3125	.3116	ASI-0507-08
3/8	1/2	1/4	.3789	.3766	.5015	.5010	.3750	.3741	ASI-0608-04
3/8	1/2	1/2	.3789	.3766	.5015	.5010	.3750	.3741	ASI-0608-08
1/2	5/8	1/2	.5047	.5020	.6260	.6250	.5000	.4990	ASI-0810-08
1/2	5/8	3/4	.5047	.5020	.6260	.6250	.5000	.4990	ASI-0810-12
5/8	13/16	5/16	.6297	.6270	.8135	.8125	.6250	.6240	ASI-1013-05
5/8	13/16	3/4	.6297	.6270	.8135	.8125	.6250	.6240	ASI-1013-12
3/4	1	3/4	.7559	.7525	1.0010	1.0000	.7500	.7490	ASI-1216-12
3/4	1	1	.7559	.7525	1.0010	1.0000	.7500	.7490	ASI-1216-16
7/8	1 1/8	1	.8809	.8775	1.1260	1.1250	.8750	.8740	ASI-1418-16
1	1 9/32	3/4	1.0059	1.0025	1.2510	1.2500	1.0000	.9990	ASI-1620-12
1	1 9/32	1	1.0059	1.0025	1.2510	1.2500	1.0000	.9990	ASI-1620-16
1 1/4	1 17/32	1	1.2600	1.2531	1.5005	1.4995	1.2500	1.249	ASI-2024-16
1 1/2	1 3/4	1 1/2	1.5100	1.5032	1.7505	1.7495	1.5000	1.499	ASI-2428-24

³⁾ After press-fit. Testing methods ▶ Page 57

iglidur® A350 Chapter ▶ Page 385

d1	d2	b1	d1 ³⁾		Housing hole		Shaft size		Part No.
			Max.	Min.	Max.	Min.	Max.	Min.	
1/8	3/16	3/16	.1266	.1247	.1878	.1873	.1243	.1236	A350SI-0203-03
3/16	1/4	1/4	.1888	.1869	.2503	.2497	.1865	.1858	A350SI-0304-04
3/16	1/4	3/8	.1888	.1869	.2503	.2497	.1865	.1858	A350SI-0304-06
1/4	5/16	3/8	.2518	.2495	.3128	.3122	.2490	.2481	A350SI-0405-06
1/4	5/16	1/2	.2518	.2495	.3128	.3122	.2490	.2481	A350SI-0405-08
5/16	3/8	1/4	.3143	.3120	.3753	.3747	.3115	.3106	A350SI-0506-04
5/16	3/8	3/8	.3143	.3120	.3753	.3747	.3115	.3106	A350SI-0506-06
5/16	3/8	1/2	.3143	.3120	.3753	.3747	.3115	.3106	A350SI-0506-08
3/8	15/32	1/4	.3768	.3745	.4691	.4684	.3740	.3731	A350SI-0607-04
3/8	15/32	3/8	.3768	.3745	.4691	.4684	.3740	.3731	A350SI-0607-06
3/8	15/32	1/2	.3768	.3745	.4691	.4684	.3740	.3731	A350SI-0607-08
3/8	15/32	5/8	.3768	.3745	.4691	.4684	.3740	.3731	A350SI-0607-10
3/8	15/32	3/4	.3768	.3745	.4691	.4684	.3740	.3731	A350SI-0607-12
7/16	17/32	1/2	.4399	.4371	.5316	.5309	.4365	.4355	A350SI-0708-08
7/16	17/32	3/4	.4399	.4371	.5316	.5309	.4365	.4355	A350SI-0708-12
1/2	19/32	1/4	.5024	.4996	.5941	.5934	.4990	.4980	A350SI-0809-04
1/2	19/32	3/8	.5024	.4996	.5941	.5934	.4990	.4980	A350SI-0809-06
1/2	19/32	1/2	.5024	.4996	.5941	.5934	.4990	.4980	A350SI-0809-08
1/2	19/32	5/8	.5024	.4996	.5941	.5934	.4990	.4980	A350SI-0809-10
1/2	19/32	3/4	.5024	.4996	.5941	.5934	.4990	.4980	A350SI-0809-12
1/2	19/32	1	.5024	.4996	.5941	.5934	.4990	.4980	A350SI-0809-16
9/16	21/32	1/2	.5649	.5620	.6566	.6559	.5615	.5605	A350SI-0910-08
9/16	21/32	5/8	.5649	.5620	.6566	.6559	.5615	.5605	A350SI-0910-10
9/16	21/32	3/4	.5649	.5620	.6566	.6559	.5615	.5605	A350SI-0910-12
5/8	23/32	1/2	.6274	.6246	.7192	.7184	.6240	.6230	A350SI-1011-08
5/8	23/32	3/4	.6274	.6246	.7192	.7184	.6240	.6230	A350SI-1011-12
5/8	23/32	1	.6274	.6246	.7192	.7184	.6240	.6230	A350SI-1011-16
3/4	7/8	1/2	.7532	.7499	.8755	.8747	.7491	.7479	A350SI-1214-08
3/4	7/8	3/4	.7532	.7499	.8755	.8747	.7491	.7479	A350SI-1214-12
3/4	7/8	1	.7532	.7499	.8755	.8747	.7491	.7479	A350SI-1214-16
7/8	1	1/2	.8782	.8749	1.0005	.9997	.8741	.8729	A350SI-1416-08
7/8	1	3/4	.8782	.8749	1.0005	.9997	.8741	.8729	A350SI-1416-12
7/8	1	1	.8782	.8749	1.0005	.9997	.8741	.8729	A350SI-1416-16
1	1 1/8	1/2	1.0032	.9999	1.1255	1.1247	.9991	.9979	A350SI-1618-08
1	1 1/8	3/4	1.0032	.9999	1.1255	1.1247	.9991	.9979	A350SI-1618-12
1	1 1/8	1	1.0032	.9999	1.1255	1.1247	.9991	.9979	A350SI-1618-16
1 1/8	1 9/32	3/4	1.1279	1.1246	1.2818	1.2808	1.1238	1.1226	A350SI-1820-12
1 1/8	1 9/32	1	1.1279	1.1246	1.2818	1.2808	1.1238	1.1226	A350SI-1820-16
1 1/8	1 9/32	1 1/4	1.1279	1.1246	1.2818	1.2808	1.1238	1.1226	A350SI-1820-20
1 1/4	1 13/32	3/4	1.2537	1.2498	1.4068	1.4058	1.2488	1.2472	A350SI-2022-12
1 1/4	1 13/32	1	1.2537	1.2498	1.4068	1.4058	1.2488	1.2472	A350SI-2022-16
1 1/4	1 13/32	1 1/4	1.2537	1.2498	1.4068	1.4058	1.2488	1.2472	A350SI-2022-20
1 1/2	1 21/32	1	1.5037	1.4998	1.6568	1.6558	1.4988	1.4972	A350SI-2426-16
1 1/2	1 21/32	1 1/2	1.5037	1.4998	1.6568	1.6558	1.4988	1.4972	A350SI-2426-24

³⁾ After press-fit. Testing methods ▶ Page 57

d1	d2	b1	d1 ³⁾		Housing hole		Shaft size		Part No.
			Max.	Min.	Max.	Min.	Max.	Min.	
1 5/8	1 25/32	1	1.6287	1.6248	1.7818	1.7808	1.6238	1.6222	A350SI-2629-16
1 5/8	1 25/32	1 1/2	1.6287	1.6248	1.7818	1.7808	1.6238	1.6222	A350SI-2629-24
1 3/4	1 15/16	1	1.7536	1.7497	1.9381	1.9371	1.7487	1.7471	A350SI-2831-16
1 3/4	1 15/16	2	1.7536	1.7497	1.9381	1.9371	1.7487	1.7471	A350SI-2831-32
1 7/8	2 1/16	1	1.8747	1.8786	2.0633	2.0621	1.8737	1.8721	A350SI-3033-16
1 7/8	2 1/16	2	1.8747	1.8786	2.0633	2.0621	1.8737	1.8721	A350SI-3033-32
2	2 3/16	1	2.0040	1.9993	2.1883	2.1871	1.9981	1.9969	A350SI-3235-16
2	2 3/16	2	2.0040	1.9993	2.1883	2.1871	1.9981	1.9969	A350SI-3235-32

iglidur® A500 Chapter ▶ Page 393

d1	d2	b1	d1 ³⁾		Housing hole		Shaft size		Part No.
			Max.	Min.	Max.	Min.	Max.	Min.	
1/8	3/16	3/16	.1266	.1247	.1878	.1873	.1243	.1236	A500SI-0203-03
3/16	1/4	1/4	.1888	.1869	.2503	.2497	.1865	.1858	A500SI-0304-04
3/16	1/4	3/8	.1888	.1869	.2503	.2497	.1865	.1858	A500SI-0304-06
1/4	5/16	3/8	.2518	.2495	.3128	.3122	.2490	.2481	A500SI-0405-06
1/4	5/16	1/2	.2518	.2495	.3128	.3122	.2490	.2481	A500SI-0405-08
5/16	3/8	1/4	.3143	.3120	.3753	.3747	.3115	.3106	A500SI-0506-04
5/16	3/8	3/8	.3143	.3120	.3753	.3747	.3115	.3106	A500SI-0506-06
5/16	3/8	1/2	.3143	.3120	.3753	.3747	.3115	.3106	A500SI-0506-08
3/8	15/32	1/4	.3768	.3745	.4691	.4684	.3740	.3731	A500SI-0607-04
3/8	15/32	3/8	.3768	.3745	.4691	.4684	.3740	.3731	A500SI-0607-06
3/8	15/32	1/2	.3768	.3745	.4691	.4684	.3740	.3731	A500SI-0607-08
3/8	15/32	5/8	.3768	.3745	.4691	.4684	.3740	.3731	A500SI-0607-10
3/8	15/32	3/4	.3768	.3745	.4691	.4684	.3740	.3731	A500SI-0607-12
7/16	17/32	1/2	.4399	.4371	.5316	.5309	.4365	.4355	A500SI-0708-08
7/16	17/32	3/4	.4399	.4371	.5316	.5309	.4365	.4355	A500SI-0708-12
1/2	19/32	1/4	.5024	.4996	.5941	.5934	.4990	.4980	A500SI-0809-04
1/2	19/32	3/8	.5024	.4996	.5941	.5934	.4990	.4980	A500SI-0809-06
1/2	19/32	1/2	.5024	.4996	.5941	.5934	.4990	.4980	A500SI-0809-08
1/2	19/32	5/8	.5024	.4996	.5941	.5934	.4990	.4980	A500SI-0809-10
1/2	19/32	3/4	.5024	.4996	.5941	.5934	.4990	.4980	A500SI-0809-12
1/2	19/32	1	.5024	.4996	.5941	.5934	.4990	.4980	A500SI-0809-16
9/16	21/32	1/2	.5649	.5620	.6566	.6559	.5615	.5605	A500SI-0910-08
9/16	21/32	5/8	.5649	.5620	.6566	.6559	.5615	.5605	A500SI-0910-10
9/16	21/32	3/4	.5649	.5620	.6566	.6559	.5615	.5605	A500SI-0910-12
5/8	23/32	1/2	.6274	.6246	.7192	.7184	.6240	.6230	A500SI-1011-08
5/8	23/32	3/4	.6274	.6246	.7192	.7184	.6240	.6230	A500SI-1011-12
5/8	23/32	1	.6274	.6246	.7192	.7184	.6240	.6230	A500SI-1011-16
3/4	7/8	1/2	.7532	.7499	.8755	.8747	.7491	.7479	A500SI-1214-08
3/4	7/8	3/4	.7532	.7499	.8755	.8747	.7491	.7479	A500SI-1214-12
3/4	7/8	1	.7532	.7499	.8755	.8747	.7491	.7479	A500SI-1214-16
7/8	1	1/2	.8782	.8749	1.0005	.9997	.8741	.8729	A500SI-1416-08
7/8	1	3/4	.8782	.8749	1.0005	.9997	.8741	.8729	A500SI-1416-12
7/8	1	1	.8782	.8749	1.0005	.9997	.8741	.8729	A500SI-1416-16
1	1 1/8	1/2	1.0032	.9999	1.1255	1.1247	.9991	.9979	A500SI-1618-08
1	1 1/8	3/4	1.0032	.9999	1.1255	1.1247	.9991	.9979	A500SI-1618-12
1	1 1/8	1	1.0032	.9999	1.1255	1.1247	.9991	.9979	A500SI-1618-16
1 1/8	1 9/32	3/4	1.1279	1.1246	1.2818	1.2808	1.1238	1.1226	A500SI-1820-12
1 1/8	1 9/32	1	1.1279	1.1246	1.2818	1.2808	1.1238	1.1226	A500SI-1820-16
1 1/8	1 9/32	1 1/4	1.1279	1.1246	1.2818	1.2808	1.1238	1.1226	A500SI-1820-20
1 1/4	1 13/32	3/4	1.2537	1.2498	1.4068	1.4058	1.2488	1.2472	A500SI-2022-12
1 1/4	1 13/32	1	1.2537	1.2498	1.4068	1.4058	1.2488	1.2472	A500SI-2022-16
1 1/4	1 13/32	1 1/4	1.2537	1.2498	1.4068	1.4058	1.2488	1.2472	A500SI-2022-20
1 1/2	1 21/32	1	1.5037	1.4998	1.6568	1.6558	1.4988	1.4972	A500SI-2426-16
1 1/2	1 21/32	1 1/2	1.5037	1.4998	1.6568	1.6558	1.4988	1.4972	A500SI-2426-24

³⁾ After press-fit. Testing methods ▶ Page 57

d1	d2	b1	d1 ³⁾		Housing hole		Shaft size		Part No.
			Max.	Min.	Max.	Min.	Max.	Min.	
1	1 1/8	1/2	1.0032	.9999	1.1255	1.1247	.9991	.9979	A500SI-1618-08
1	1 1/8	3/4	1.0032	.9999	1.1255	1.1247	.9991	.9979	A500SI-1618-12
1	1 1/8	1	1.0032	.9999	1.1255	1.1247	.9991	.9979	A500SI-1618-16
1 1/8	1 9/32	3/4	1.1279	1.1246	1.2818	1.2808	1.1238	1.1226	A500SI-1820-12
1 1/8	1 9/32	1	1.1279	1.1246	1.2818	1.2808	1.1238	1.1226	A500SI-1820-16
1 1/8	1 9/32	1 1/4	1.1279	1.1246	1.2818	1.2808	1.1238	1.1226	A500SI-1820-20
1 1/4	1 13/32	3/4	1.2537	1.2498	1.4068	1.4058	1.2488	1.2472	A500SI-2022-12
1 1/4	1 13/32	1	1.2537	1.2498	1.4068	1.4058	1.2488	1.2472	A500SI-2022-16
1 1/4	1 13/32	1 1/4	1.2537	1.2498	1.4068	1.4058	1.2488	1.2472	A500SI-2022-20
1 1/2	1 21/32	1	1.5037	1.4998	1.6568	1.6558	1.4988	1.4972	A500SI-2426-16
1 1/2	1 21/32	1 1/2	1.5037	1.4998	1.6568	1.6558	1.4988	1.4972	A500SI-2426-24
1 5/8	1 25/32	1	1.6287	1.6248	1.7818	1.7808	1.6238	1.6222	A500SI-2629-16
1 5/8	1 25/32	1 1/2	1.6287	1.6248	1.7818	1.7808	1.6238	1.6222	A500SI-2629-24
1 3/4	1 15/16	1	1.7536	1.7497	1.9381	1.9371	1.7487	1.7471	A500SI-2831-16
1 3/4	1 15/16	2	1.7536	1.7497	1.9381	1.9371	1.7487	1.7471	A500SI-2831-32
1 7/8	2 1/16	1	1.8747	1.8786	2.0633	2.0621	1.8737	1.8721	A500SI-3033-16
1 7/8	2 1/16	2	1.8747	1.8786	2.0633	2.0621	1.8737	1.8721	A500SI-3033-32
2	2 3/16	1	2.0040	1.9993	2.1883	2.1871	1.9981	1.9969	A500SI-3235-16
2	2 3/16	2	2.0040	1.9993	2.1883	2.1871	1.9981	1.9969	A500SI-3235-32

iglidur® G Chapter ▶ Page 81

d1	d2	b1	d1 ³⁾		Housing hole		Shaft size		Part No.
			Max.	Min.	Max.	Min.	Max.	Min.	
1/8	3/16	3/16	.1269	.1251	.1878	.1873	.1243	.1236	GSI-0203-03
1/8	3/16	1/4	.1269	.1251	.1878	.1873	.1243	.1236	GSI-0203-04
1/8	3/16	3/8	.1269	.1251	.1878	.1873	.1243	.1236	GSI-0203-06
3/16	1/4	1/4	.1892	.1873	.2503	.2497	.1865	.1858	GSI-0304-04
3/16	1/4	3/8	.1892	.1873	.2503	.2497	.1865	.1858	GSI-0304-06
3/16	1/4	1/2	.1892	.1873	.2503	.2497	.1865	.1858	GSI-0304-08
1/4	5/16	1/4	.2521	.2498	.3128	.3122	.2490	.2481	GSI-0405-04
1/4	5/16	5/16	.2521	.2498	.3128	.3122	.2490	.2481	GSI-0405-05
1/4	5/16	3/8	.2521	.2498	.3128	.3122	.2490	.2481	GSI-0405-06
1/4	5/16	1/2	.2521	.2498	.3128	.3122	.2490	.2481	GSI-0405-08
1/4	5/16	5/8	.2521	.2498	.3128	.3122	.2490	.2481	GSI-0405-10
1/4	5/16	3/4	.2521	.2498	.3128	.3122	.2490	.2481	GSI-0405-12
5/16	3/8	1/4	.3148	.3125	.3753	.3747	.3115	.3106	GSI-0506-04
5/16	3/8	3/8	.3148	.3125	.3753	.3747	.3115	.3106	GSI-0506-06
5/16	3/8	1/2	.3148	.3125	.3753	.3747	.3115	.3106	GSI-0506-08
5/16	3/8	3/4	.3148	.3125	.3753	.3747	.3115	.3106	GSI-0506-12
3/8	15/32	1/4	.3773	.3750	.4691	.4684	.3740	.3731	GSI-0607-04
3/8	15/32	3/8	.3773	.3750	.4691	.4684	.3740	.3731	GSI-0607-06
3/8	15/32	1/2	.3773	.3750	.4691	.4684	.3740	.3731	GSI-0607-08
3/8	15/32	5/8	.3773	.3750	.4691	.4684	.3740	.3731	GSI-0607-10
3/8	15/32	3/4	.3773	.3750	.4691	.4684	.3740	.3731	GSI-0607-12
3/8	8/16	1/2	.3783	.3760	.5015	.5010	.3750	.3741	GSI-0608-08

³⁾ After press-fit. Testing methods ▶ Page 57

d1	d2	b1	d1 ³⁾		Housing hole		Shaft size		Part No.
			Max.	Min.	Max.	Min.	Max.	Min.	
3/8	8/16	3/4	.3773	.3750	.5015	.5010	.3750	.3741	GSI-0608-12
7/16	17/32	1/4	.4406	.4379	.5316	.5309	.4365	.4355	GSI-0708-04
7/16	17/32	1/2	.4406	.4379	.5316	.5309	.4365	.4355	GSI-0708-08
7/16	17/32	3/4	.4406	.4379	.5316	.5309	.4365	.4355	GSI-0708-12
1/2	19/32	3/16	.5030	.5003	.5941	.5934	.4990	.4980	GSI-0809-03
1/2	19/32	1/4	.5030	.5003	.5941	.5934	.4990	.4980	GSI-0809-04
1/2	19/32	3/8	.5030	.5003	.5941	.5934	.4990	.4980	GSI-0809-06
1/2	19/32	1/2	.5030	.5003	.5941	.5934	.4990	.4980	GSI-0809-08
1/2	19/32	5/8	.5030	.5003	.5941	.5934	.4990	.4980	GSI-0809-10
1/2	19/32	3/4	.5030	.5003	.5941	.5934	.4990	.4980	GSI-0809-12
1/2	19/32	1	.5030	.5003	.5941	.5934	.4990	.4980	GSI-0809-16
1/2	5/8	3/4	.5040	.5013	.6260	.6250	.5000	.4990	GSI-0810-12
9/16	21/32	3/8	.5655	.5627	.6566	.6559	.5615	.5605	GSI-0910-06
9/16	21/32	1/2	.5655	.5627	.6566	.6559	.5615	.5605	GSI-0910-08
9/16	21/32	5/8	.5655	.5627	.6566	.6559	.5615	.5605	GSI-0910-10
9/16	21/32	3/4	.5655	.5627	.6566	.6559	.5615	.5605	GSI-0910-12
5/8	23/32	3/8	.6280	.6253	.7192	.7184	.6240	.6230	GSI-1011-06
5/8	23/32	1/2	.6280	.6253	.7192	.7184	.6240	.6230	GSI-1011-08
5/8	23/32	5/8	.6280	.6253	.7192	.7184	.6240	.6230	GSI-1011-10
5/8	23/32	3/4	.6280	.6253	.7192	.7184	.6240	.6230	GSI-1011-12
5/8	23/32	1	.6280	.6253	.7192	.7184	.6240	.6230	GSI-1011-16
5/8	23/32	1 1/4	.6280	.6253	.7192	.7184	.6240	.6230	GSI-1011-20
5/8	23/32	1 7/8	.6280	.6253	.7192	.7184	.6240	.6230	GSI-1011-30
5/8	3/4	1/2	.6290	.6263	.7510	.7500	.6250	.6240	GSI-1012-08
5/8	3/4	1	.6290	.6263	.7510	.7500	.6250	.6240	GSI-1012-16
11/16	25/32	7/8	.6906	.6879	.7817	.7809	.6865	.6855	GSI-1112-14
3/4	7/8	1/8	.7541	.7505	.8755	.8747	.7491	.7479	GSI-1214-02
3/4	7/8	3/8	.7541	.7505	.8755	.8747	.7491	.7479	GSI-1214-06
3/4	7/8	1/2	.7541	.7505	.8755	.8747	.7491	.7479	GSI-1214-08
3/4	7/8	3/4	.7541	.7505	.8755	.8747	.7491	.7479	GSI-1214-12
3/4	7/8	1	.7541	.7505	.8755	.8747	.7491	.7479	GSI-1214-16
3/4	7/8	1 1/4	.7541	.7505	.8755	.8747	.7491	.7479	GSI-1214-20
3/4	7/8	1 1/2	.7541	.7505	.8755	.8747	.7491	.7479	GSI-1214-24
7/8	1	3/8	.8791	.8757	1.0005	.9997	.8741	.8729	GSI-1416-06
7/8	1	1/2	.8791	.8757	1.0005	.9997	.8741	.8729	GSI-1416-08
7/8	1	5/8	.8791	.8757	1.0005	.9997	.8741	.8729	GSI-1416-10
7/8	1	3/4	.8791	.8757	1.0005	.9997	.8741	.8729	GSI-1416-12
7/8	1	1	.8791	.8757	1.0005	.9997	.8741	.8729	GSI-1416-16
7/8	1	1 1/2	.8791	.8757	1.0005	.9997	.8741	.8729	GSI-1416-24
1	1 1/8	1/2	1.0041	1.0007	1.1255	1.1247	.9991	.9979	GSI-1618-08
1	1 1/8	3/4	1.0041	1.0007	1.1255	1.1247	.9991	.9979	GSI-1618-12
1	1 1/8	1	1.0041	1.0007	1.1255	1.1247	.9991	.9979	GSI-1618-16
1	1 1/8	1 1/4	1.0041	1.0007	1.1255	1.1247	.9991	.9979	GSI-1618-20
1	1 1/8	1 1/2	1.0041	1.0007	1.1255	1.1247	.9991	.9979	GSI-1618-24
1	1 1/8	2 1/16	1.0041	1.0007	1.1255	1.1247	.9991	.9979	GSI-1618-33
1 1/8	1 9/32	3/4	1.1288	1.1254	1.2818	1.2808	1.1238	1.1226	GSI-1820-12

³⁾ After press-fit. Testing methods ▶ Page 57

d1	d2	b1	d1 ³⁾		Housing hole		Shaft size		Part No.
			Max.	Min.	Max.	Min.	Max.	Min.	
1 1/8	1 9/32	1	1.1288	1.1254	1.2818	1.2808	1.1238	1.1226	GSI-1820-16
1 1/8	1 9/32	1 1/4	1.1288	1.1254	1.2818	1.2808	1.1238	1.1226	GSI-1820-20
1 1/8	1 9/32	1 1/2	1.1288	1.1254	1.2818	1.2808	1.1238	1.1226	GSI-1820-24
1 1/4	1 13/32	3/4	1.2548	1.2508	1.4068	1.4058	1.2488	1.2472	GSI-2022-12
1 1/4	1 13/32	7/8	1.2548	1.2508	1.4068	1.4058	1.2488	1.2472	GSI-2022-14
1 1/4	1 13/32	1	1.2548	1.2508	1.4068	1.4058	1.2488	1.2472	GSI-2022-16
1 1/4	1 13/32	1 1/4	1.2548	1.2508	1.4068	1.4058	1.2488	1.2472	GSI-2022-20
1 1/4	1 13/32	1 1/2	1.2548	1.2508	1.4068	1.4058	1.2488	1.2472	GSI-2022-24
1 3/8	1 17/32	1	1.3798	1.3758	1.5318	1.5308	1.3738	1.3722	GSI-2224-16
1 3/8	1 17/32	1 1/2	1.3798	1.3758	1.5318	1.5308	1.3738	1.3722	GSI-2224-24
1 3/8	1 17/32	1 5/8	1.3798	1.3758	1.5318	1.5308	1.3738	1.3722	GSI-2224-26
1 1/2	1 21/32	3/8	1.5048	1.5008	1.6568	1.6558	1.4988	1.4972	GSI-2426-06
1 1/2	1 21/32	7/16	1.5048	1.5008	1.6568	1.6558	1.4988	1.4972	GSI-2426-07
1 1/2	1 21/32	1/2	1.5048	1.5008	1.6568	1.6558	1.4988	1.4972	GSI-2426-08
1 1/2	1 21/32	3/4	1.5048	1.5008	1.6568	1.6558	1.4988	1.4972	GSI-2426-12
1 1/2	1 21/32	1	1.5048	1.5008	1.6568	1.6558	1.4988	1.4972	GSI-2426-16
1 1/2	1 21/32	1 1/2	1.5048	1.5008	1.6568	1.6558	1.4988	1.4972	GSI-2426-24
1 5/8	1 25/32	1	1.6297	1.6258	1.7818	1.7808	1.6238	1.6222	GSI-2629-16
1 5/8	1 25/32	1 1/4	1.6297	1.6258	1.7818	1.7808	1.6238	1.6222	GSI-2629-20
1 5/8	1 25/32	1 1/2	1.6297	1.6258	1.7818	1.7808	1.6238	1.6222	GSI-2629-24
1 3/4	1 15/16	1	1.7547	1.7505	1.9381	1.9371	1.7487	1.7471	GSI-2831-16
1 3/4	1 15/16	1 1/2	1.7547	1.7505	1.9381	1.9371	1.7487	1.7471	GSI-2831-24
1 3/4	1 15/16	2	1.7547	1.7505	1.9381	1.9371	1.7487	1.7471	GSI-2831-32
1 3/4	1 15/16	2 1/2	1.7547	1.7505	1.9381	1.9371	1.7487	1.7471	GSI-2831-40
1 3/4	1 15/16	3	1.7547	1.7505	1.9381	1.9371	1.7487	1.7471	GSI-2831-48
1 7/8	2 1/16	1	1.8796	1.8757	2.0633	2.0621	1.8737	1.8721	GSI-3033-16
1 7/8	2 1/16	2	1.8796	1.8757	2.0633	2.0621	1.8737	1.8721	GSI-3033-32
2	2 3/16	1	2.0057	2.0011	2.1883	2.1871	1.9981	1.9969	GSI-3235-16
2	2 3/16	1 1/2	2.0057	2.0011	2.1883	2.1871	1.9981	1.9969	GSI-3235-24
2	2 3/16	2	2.0057	2.0011	2.1883	2.1871	1.9981	1.9969	GSI-3235-32
2 1/4	2 7/16	2	2.2577	2.2531	2.4377	2.4365	2.2507	2.2489	GSI-3639-32
2 2/4	2 11/16	2	2.5082	2.5035	2.6881	2.6869	2.5000	2.4999	GSI-4043-32
2 3/4	2 15/16	2	2.7570	2.7523	2.9370	2.9358	2.7500	2.7490	GSI-4447-32
3	3 3/16	2	3.0070	3.0023	3.1870	3.1858	3.0000	2.9990	GSI-4851-32

iglidur® H1 Chapter ▶ Page 333

d1	d2	b1	d1 ³⁾		Housing hole		Shaft size		Part No.
			h13	Max.	Min.	Max.	Min.	Max.	
1/8	3/16	3/16	.1266	.1247	.1878	.1873	.1243	.1236	H1SI-0203-03
3/16	1/4	1/4	.1888	.1869	.2503	.2497	.1865	.1858	H1SI-0304-04
3/16	1/4	3/8	.1888	.1869	.2503	.2497	.1865	.1858	H1SI-0304-06
1/4	5/16	3/8	.2518	.2495	.3128	.3122	.2490	.2481	H1SI-0405-06
1/4	5/16	1/2	.2518	.2495	.3128	.3122	.2490	.2481	H1SI-0405-08
5/16	3/8	1/4	.3143	.3120	.3753	.3747	.3115	.3106	H1SI-0506-04

³⁾ After press-fit. Testing methods ▶ Page 57

d1	d2	b1	d1 ³⁾		Housing hole		Shaft size		Part No.
			h13	Max.	Min.	Max.	Min.	Max.	
5/16	3/8	3/8	.3143	.3120	.3753	.3747	.3115	.3106	H1SI-0506-06
5/16	3/8	1/2	.3143	.3120	.3753	.3747	.3115	.3106	H1SI-0506-08
3/8	15/32	1/4	.3768	.3745	.4691	.4684	.3740	.3731	H1SI-0607-04
3/8	15/32	3/8	.3768	.3745	.4691	.4684	.3740	.3731	H1SI-0607-06
3/8	15/32	1/2	.3768	.3745	.4691	.4684	.3740	.3731	H1SI-0607-08
3/8	15/32	5/8	.3768	.3745	.4691	.4684	.3740	.3731	H1SI-0607-10
3/8	15/32	3/4	.3768	.3745	.4691	.4684	.3740	.3731	H1SI-0607-12
7/16	17/32	1/2	.4399	.4371	.5316	.5309	.4365	.4355	H1SI-0708-08
7/16	17/32	3/4	.4399	.4371	.5316	.5309	.4365	.4355	H1SI-0708-12
1/2	19/32	1/4	.5024	.4996	.5941	.5934	.4990	.4980	H1SI-0809-04
1/2	19/32	3/8	.5024	.4996	.5941	.5934	.4990	.4980	H1SI-0809-06
1/2	19/32	1/2	.5024	.4996	.5941	.5934	.4990	.4980	H1SI-0809-08
1/2	19/32	5/8	.5024	.4996	.5941	.5934	.4990	.4980	H1SI-0809-10
1/2	19/32	3/4	.5024	.4996	.5941	.5934	.4990	.4980	H1SI-0809-12
1/2	19/32	1	.5024	.4996	.5941	.5934	.4990	.4980	H1SI-0809-16
9/16	21/32	1/2	.5649	.5620	.6566	.6559	.5615	.5605	H1SI-0910-08
9/16	21/32	5/8	.5649	.5620	.6566	.6559	.5615	.5605	H1SI-0910-10
9/16	21/32	3/4	.5649	.5620	.6566	.6559	.5615	.5605	H1SI-0910-12
5/8	23/32	1/2	.6274	.6246	.7192	.7184	.6240	.6230	H1SI-1011-08
5/8	23/32	3/4	.6274	.6246	.7192	.7184	.6240	.6230	H1SI-1011-12
5/8	23/32	1	.6274	.6246	.7192	.7184	.6240	.6230	H1SI-1011-16
3/4	7/8	1/2	.7532	.7499	.8755	.8747	.7491	.7479	H1SI-1214-08
3/4	7/8	3/4	.7532	.7499	.8755	.8747	.7491	.7479	H1SI-1214-12
3/4	7/8	1	.7532	.7499	.8755	.8747	.7491	.7479	H1SI-1214-16
7/8	1	1/2	.8782	.8749	1.0005	.9997	.8741	.8729	H1SI-1416-08
7/8	1	3/4	.8782	.8749	1.0005	.9997	.8741	.8729	H1SI-1416-12
7/8	1	1	.8782	.8749	1.0005	.9997	.8741	.8729	H1SI-1416-16
1	1 1/8	1/2	1.0032	.9999	1.1255	1.1247	.9991	.9979	H1SI-1618-08
1	1 1/8	3/4	1.0032	.9999	1.1255	1.1247	.9991	.9979	H1SI-1618-12
1	1 1/8	1	1.0032	.9999	1.1255	1.1247	.9991	.9979	H1SI-1618-16
1 1/8	1 9/32	3/4	1.1279	1.1246	1.2818	1.2808	1.1238	1.1226	H1SI-1820-12
1 1/8	1 9/32	1	1.1279	1.1246	1.2818	1.2808	1.1238	1.1226	H1SI-1820-16
1 1/8	1 9/32	1 1/4	1.1279	1.1246	1.2818	1.2808	1.1238	1.1226	H1SI-1820-20
1 1/4	1 13/32	3/4	1.2537	1.2498	1.4068	1.4058	1.2488	1.2472	H1SI-2022-12
1 1/4	1 13/32	1	1.2537	1.2498	1.4068	1.4058	1.2488	1.2472	H1SI-2022-16
1 1/4	1 13/32	1 1/4	1.2537	1.2498	1.4068	1.4058	1.2488	1.2472	H1SI-2022-20
1 1/2	1 21/32	1	1.5037	1.4998	1.6568	1.6558	1.4988	1.4972	H1SI-2426-16
1 1/2	1 21/32	1 1/2	1.5037	1.4998	1.6568	1.6558	1.4988	1.4972	H1SI-2426-24
1 5/8	1 25/32	1	1.6287	1.6248	1.7818	1.7808	1.6238	1.6222	H1SI-2629-16
1 5/8	1 25/32	1 1/2	1.6287	1.6248	1.7818	1.7808	1.6238	1.6222	H1SI-2629-24
1 3/4	1 15/16	1	1.7536	1.7497	1.9381	1.9371	1.7487	1.7471	H1SI-2831-16
1 3/4	1 15/16	2	1.7536	1.7497	1.9381	1.9371	1.7487	1.7471	H1SI-2831-32
1 7/8	2 1/16	1	1.8747	1.8786	2.0633	2.0621	1.8737	1.8721	H1SI-3033-16
1 7/8	2 1/16	2	1.8747	1.8786	2.0633	2.0621	1.8737	1.8721	H1SI-3033-32
2	2 3/16	1	2.0040	1.9993	2.1883	2.1871	1.9981	1.9969	H1SI-3235-16
2	2 3/16	2	2.0040	1.9993	2.1883	2.1871	1.9981	1.9969	H1SI-3235-32

³⁾ After press-fit. Testing methods ▶ Page 57

iglidur® H370 Chapter ▶ Page 341

d1	d2	b1 h13	d1 ³⁾		Housing hole		Shaft size		Part No.
			Max.	Min.	Max.	Min.	Max.	Min.	
1/8	3/16	3/16	.1266	.1247	.1878	.1873	.1243	.1236	H370SI-0203-03
3/16	1/4	1/4	.1888	.1869	.2503	.2497	.1865	.1858	H370SI-0304-04
3/16	1/4	3/8	.1888	.1869	.2503	.2497	.1865	.1858	H370SI-0304-06
1/4	5/16	1/4	.2521	.2498	.3128	.3122	.2490	.2481	H370SI-0405-04
1/4	5/16	3/8	.2518	.2495	.3128	.3122	.2490	.2481	H370SI-0405-06
1/4	5/16	1/2	.2518	.2495	.3128	.3122	.2490	.2481	H370SI-0405-08
5/16	3/8	1/4	.3143	.3120	.3753	.3747	.3115	.3106	H370SI-0506-04
5/16	3/8	3/8	.3143	.3120	.3753	.3747	.3115	.3106	H370SI-0506-06
5/16	3/8	1/2	.3143	.3120	.3753	.3747	.3115	.3106	H370SI-0506-08
3/8	15/32	1/4	.3768	.3745	.4691	.4684	.3740	.3731	H370SI-0607-04
3/8	15/32	3/8	.3768	.3745	.4691	.4684	.3740	.3731	H370SI-0607-06
3/8	15/32	1/2	.3768	.3745	.4691	.4684	.3740	.3731	H370SI-0607-08
3/8	15/32	5/8	.3768	.3745	.4691	.4684	.3740	.3731	H370SI-0607-10
3/8	15/32	3/4	.3768	.3745	.4691	.4684	.3740	.3731	H370SI-0607-12
7/16	17/32	1/2	.4399	.4371	.5316	.5309	.4365	.4355	H370SI-0708-08
7/16	17/32	3/4	.4399	.4371	.5316	.5309	.4365	.4355	H370SI-0708-12
1/2	19/32	1/4	.5024	.4996	.5941	.5934	.4990	.4980	H370SI-0809-04
1/2	19/32	3/8	.5024	.4996	.5941	.5934	.4990	.4980	H370SI-0809-06
1/2	19/32	1/2	.5024	.4996	.5941	.5934	.4990	.4980	H370SI-0809-08
1/2	19/32	5/8	.5024	.4996	.5941	.5934	.4990	.4980	H370SI-0809-10
1/2	19/32	3/4	.5024	.4996	.5941	.5934	.4990	.4980	H370SI-0809-12
1/2	19/32	1	.5024	.4996	.5941	.5934	.4990	.4980	H370SI-0809-16
9/16	21/32	1/2	.5649	.5620	.6566	.6559	.5615	.5605	H370SI-0910-08
9/16	21/32	5/8	.5649	.5620	.6566	.6559	.5615	.5605	H370SI-0910-10
9/16	21/32	3/4	.5649	.5620	.6566	.6559	.5615	.5605	H370SI-0910-12
5/8	23/32	1/2	.6274	.6246	.7192	.7184	.6240	.6230	H370SI-1011-08
5/8	23/32	3/4	.6274	.6246	.7192	.7184	.6240	.6230	H370SI-1011-12
5/8	23/32	1	.6274	.6246	.7192	.7184	.6240	.6230	H370SI-1011-16
3/4	7/8	1/2	.7532	.7499	.8755	.8747	.7491	.7479	H370SI-1214-08
3/4	7/8	3/4	.7532	.7499	.8755	.8747	.7491	.7479	H370SI-1214-12
3/4	7/8	1	.7532	.7499	.8755	.8747	.7491	.7479	H370SI-1214-16
7/8	1	1/2	.8782	.8749	1.0005	.9997	.8741	.8729	H370SI-1416-08
7/8	1	3/4	.8782	.8749	1.0005	.9997	.8741	.8729	H370SI-1416-12
7/8	1	1	.8782	.8749	1.0005	.9997	.8741	.8729	H370SI-1416-16
1	1 1/8	1/2	1.0032	.9999	1.1255	1.1247	.9991	.9979	H370SI-1618-08
1	1 1/8	3/4	1.0032	.9999	1.1255	1.1247	.9991	.9979	H370SI-1618-12
1	1 1/8	1	1.0032	.9999	1.1255	1.1247	.9991	.9979	H370SI-1618-16
1 1/8	1 9/32	3/4	1.1279	1.1246	1.2818	1.2808	1.1238	1.1226	H370SI-1820-12
1 1/8	1 9/32	1	1.1279	1.1246	1.2818	1.2808	1.1238	1.1226	H370SI-1820-16
1 1/8	1 9/32	1 1/4	1.1279	1.1246	1.2818	1.2808	1.1238	1.1226	H370SI-1820-20
1 1/4	1 13/32	3/4	1.2537	1.2498	1.4068	1.4058	1.2488	1.2472	H370SI-2022-12
1 1/4	1 13/32	1	1.2537	1.2498	1.4068	1.4058	1.2488	1.2472	H370SI-2022-16
1 1/4	1 13/32	1 1/4	1.2537	1.2498	1.4068	1.4058	1.2488	1.2472	H370SI-2022-20
1 1/2	1 21/32	1	1.5037	1.4998	1.6568	1.6558	1.4988	1.4972	H370SI-2426-16

³⁾ After press-fit. Testing methods ▶ Page 57

d1	d2	b1 h13	d1 ³⁾		Housing hole		Shaft size		Part No.
			Max.	Min.	Max.	Min.	Max.	Min.	
1 1/2	1 21/32	1 1/2	1.5037	1.4998	1.6568	1.6558	1.4988	1.4972	H370SI-2426-24
1 5/8	1 25/32	1	1.6287	1.6248	1.7818	1.7808	1.6238	1.6222	H370SI-2629-16
1 5/8	1 25/32	1 1/2	1.6287	1.6248	1.7818	1.7808	1.6238	1.6222	H370SI-2629-24
1 3/4	1 15/16	1	1.7536	1.7497	1.9381	1.9371	1.7487	1.7471	H370SI-2831-16
1 3/4	1 15/16	2	1.7536	1.7497	1.9381	1.9371	1.7487	1.7471	H370SI-2831-32
1 7/8	2 1/16	1	1.8747	1.8786	2.0633	2.0621	1.8737	1.8721	H370SI-3033-16
1 7/8	2 1/16	2	1.8747	1.8786	2.0633	2.0621	1.8737	1.8721	H370SI-3033-32
2	2 3/16	1	2.0040	1.9993	2.1883	2.1871	1.9981	1.9969	H370SI-3235-16
2	2 3/16	2	2.0040	1.9993	2.1883	2.1871	1.9981	1.9969	H370SI-3235-32

iglidur® J Chapter ▶ Page 159

d1	d2	b1	d1 ³⁾		Housing hole		Shaft size		Part No.
			Max.	Min.	Max.	Min.	Max.	Min.	
1/8	3/16	3/16	.1269	.1251	.1878	.1873	.1243	.1236	JSI-0203-03
1/8	1/4	1/4	.1280	.1262	.2515	.2510	.1250	.1241	JSI-0204-04
1/8	1/4	3/8	.1280	.1262	.2515	.2510	.1250	.1241	JSI-0204-06
3/16	1/4	1/4	.1892	.1873	.2503	.2497	.1865	.1858	JSI-0304-04
3/16	1/4	3/8	.1892	.1873	.2503	.2497	.1865	.1858	JSI-0304-06
3/16	1/4	1/2	.1892	.1873	.2503	.2497	.1865	.1858	JSI-0304-08
3/16	5/16	5/16	.1905	.1887	.3140	.3135	.1875	.1866	JSI-0305-05
3/16	5/16	3/8	.1905	.1887	.3140	.3135	.1875	.1866	JSI-0305-06
3/16	5/16	1/2	.1905	.1887	.3140	.3135	.1875	.1866	JSI-0305-08
1/4	5/16	1/4	.2521	.2498	.3140	.3135	.2490	.2481	JSI-0405-04
1/4	5/16	3/8	.2521	.2498	.3128	.3122	.2490	.2481	JSI-0405-06
1/4	5/16	1/2	.2521	.2498	.3128	.3122	.2490	.2481	JSI-0405-08
1/4	3/8	1/4	.2539	.2516	.3765	.3760	.2500	.2491	JSI-0406-04
1/4	3/8	1/2	.2539	.2516	.3765	.3760	.2500	.2491	JSI-0406-08
1/4	3/8	3/4	.2539	.2516	.3765	.3760	.2500	.2491	JSI-0406-12
1/4	3/8	1	.2539	.2516	.3765	.3760	.2500	.2491	JSI-0406-16
5/16	3/8	1/4	.3148	.3125	.3753	.3747	.3115	.3106	JSI-0506-04
5/16	3/8	3/8	.3148	.3125	.3753	.3747	.3115	.3106	JSI-0506-06
5/16	3/8	1/2	.3148	.3125	.3753	.3747	.3115	.3106	JSI-0506-08
5/16	3/8	3/4	.3148	.3125	.3753	.3747	.3115	.3106	JSI-0506-12
5/16	7/16	3/8	.3164	.3141	.4390	.4385	.3125	.3116	JSI-0507-06
5/16	7/16	1/2	.3164	.3141	.4390	.4385	.3125	.3116	JSI-0507-08
5/16	7/16	5/8	.3164	.3141	.4390	.4385	.3125	.3116	JSI-0507-10
3/8	15/32	1/4	.3773	.3750	.4691	.4684	.3740	.3731	JSI-0607-04
3/8	15/32	3/8	.3773	.3750	.4691	.4684	.3740	.3731	JSI-0607-06
3/8	15/32	1/2	.3773	.3750	.4691	.4684	.3740	.3731	JSI-0607-08
3/8	15/32	5/8	.3773	.3750	.4691	.4684	.3740	.3731	JSI-0607-10
3/8	15/32	3/4	.3773	.3750	.4691	.4684	.3740	.3731	JSI-0607-12
3/8	1/2	3/16	.3773	.3750	.4691	.4684	.3740	.3731	JSI-0608-03
3/8	1/2	3/8	.3773	.3750	.4691	.4684	.3740	.3731	JSI-0608-06
3/8	1/2	1/2	.3773	.3750	.4691	.4684	.3740	.3731	JSI-0608-08
3/8	1/2	5/8	.3773	.3750	.4691	.4684	.3740	.3731	JSI-0608-10

³⁾ After press-fit. Testing methods ▶ Page 57

d1	d2	b1	d1 ³⁾		Housing hole		Shaft size		Part No.
			Max.	Min.	Max.	Min.	Max.	Min.	
7/16	17/32	1/2	.4406	.4379	.5316	.5309	.4365	.4355	JSI-0708-08
7/16	17/32	3/4	.4406	.4379	.5316	.5309	.4365	.4355	JSI-0708-12
1/2	19/32	1/4	.5030	.5003	.5941	.5934	.4990	.4980	JSI-0809-04
1/2	19/32	3/8	.5030	.5003	.5941	.5934	.4990	.4980	JSI-0809-06
1/2	19/32	1/2	.5030	.5003	.5941	.5934	.4990	.4980	JSI-0809-08
1/2	19/32	5/8	.5030	.5003	.5941	.5934	.4990	.4980	JSI-0809-10
1/2	19/32	3/4	.5030	.5003	.5941	.5934	.4990	.4980	JSI-0809-12
1/2	19/32	1	.5030	.5003	.5941	.5934	.4990	.4980	JSI-0809-16
1/2	5/8	1/2	.5040	.5013	.6260	.6250	.5000	.4990	JSI-0810-08
1/2	5/8	3/4	.5040	.5013	.6260	.6250	.5000	.4990	JSI-0810-12
9/16	21/32	1/2	.5655	.5627	.6566	.6559	.5615	.5605	JSI-0910-08
9/16	21/32	5/8	.5655	.5627	.6566	.6559	.5615	.5605	JSI-0910-10
9/16	21/32	3/4	.5655	.5627	.6566	.6559	.5615	.5605	JSI-0910-12
5/8	23/32	1/2	.6280	.6253	.7192	.7184	.6240	.6230	JSI-1011-08
5/8	23/32	3/4	.6280	.6253	.7192	.7184	.6240	.6230	JSI-1011-12
5/8	23/32	1	.6280	.6253	.7192	.7184	.6240	.6230	JSI-1011-16
5/8	3/4	1/4	.6297	.6270	.7510	.7500	.6250	.6240	JSI-1012-04
5/8	3/4	3/8	.6297	.6270	.7510	.7500	.6250	.6240	JSI-1012-06
5/8	3/4	1/2	.6297	.6270	.7510	.7500	.6250	.6240	JSI-1012-08
5/8	3/4	3/4	.6297	.6270	.7510	.7500	.6250	.6240	JSI-1012-12
5/8	3/4	1	.6297	.6270	.7510	.7500	.6250	.6240	JSI-1012-16
3/4	7/8	1/2	.7541	.7505	.8755	.8747	.7491	.7479	JSI-1214-08
3/4	7/8	3/4	.7541	.7505	.8755	.8747	.7491	.7479	JSI-1214-12
3/4	7/8	1	.7541	.7505	.8755	.8747	.7491	.7479	JSI-1214-16
3/4	1	3/4	.7559	.7525	1.0010	1.0000	.7500	.7490	JSI-1216-12
3/4	1	1	.7559	.7525	1.0010	1.0000	.7500	.7490	JSI-1216-16
7/8	1	1/2	.8791	.8757	1.0005	.9997	.8741	.8729	JSI-1416-08
7/8	1	3/4	.8791	.8757	1.0005	.9997	.8741	.8729	JSI-1416-12
7/8	1	1	.8791	.8757	1.0005	.9997	.8741	.8729	JSI-1416-16
7/8	1 1/8	3/4	.8809	.8775	1.1260	1.1250	.8750	.8740	JSI-1418-12
7/8	1 1/8	1 1/2	.8809	.8775	1.1260	1.1250	.8750	.8740	JSI-1418-24
1	1 1/8	1/2	1.0041	1.0007	1.1255	1.1247	.9991	.9979	JSI-1618-08
1	1 1/8	3/4	1.0041	1.0007	1.1255	1.1247	.9991	.9979	JSI-1618-12
1	1 1/8	1	1.0041	1.0007	1.1255	1.1247	.9991	.9979	JSI-1618-16
1	1 1/4	1	1.0059	1.0025	1.2510	1.2500	1.0000	.9990	JSI-1620-16
1	1 1/4	1 1/2	1.0059	1.0025	1.2510	1.2500	1.0000	.9990	JSI-1620-24
1 1/8	1 9/32	3/4	1.1288	1.2808	1.2818	1.2808	1.1238	1.1226	JSI-1820-12
1 1/8	1 9/32	1	1.1288	1.2808	1.2818	1.2808	1.1238	1.1226	JSI-1820-16
1 1/8	1 9/32	1 1/4	1.1288	1.2808	1.2818	1.2808	1.1238	1.1226	JSI-1820-20
1 1/8	1 13/8	1	1.1327	1.1276	1.3760	1.3750	1.1250	1.1240	JSI-1822-16
1 1/4	1 13/32	3/4	1.2548	1.2508	1.4068	1.4058	1.2488	1.2472	JSI-2022-12
1 1/4	1 13/32	7/8	1.2548	1.2508	1.4068	1.4058	1.2488	1.2472	JSI-2022-14
1 1/4	1 13/32	1	1.2548	1.2508	1.4068	1.4058	1.2488	1.2472	JSI-2022-16
1 1/4	1 13/32	1 1/4	1.2548	1.2508	1.4068	1.4058	1.2488	1.2472	JSI-2022-20
1 1/4	1 1/2	1 1/2	1.2600	1.2532	1.5005	1.4995	1.2500	1.2490	JSI-2024-24
1 1/2	1 21/32	1	1.5048	1.5008	1.6568	1.6558	1.4988	1.4972	JSI-2426-16

³⁾ After press-fit. Testing methods ► Page 57

d1	d2	b1	d1 ³⁾		Housing hole		Shaft size		Part No.
			Max.	Min.	Max.	Min.	Max.	Min.	
1 1/2	1 21/32	1 1/2	1.5048	1.5008	1.6568	1.6558	1.4988	1.4972	JSI-2426-24
1 1/2	1 3/4	1 1/2	1.5100	1.5032	1.7505	1.7495	1.50	1.499	JSI-2428-24
1 5/8	1 25/32	1	1.6297	1.6258	1.7818	1.7808	1.6238	1.6222	JSI-2629-16
1 5/8	1 25/32	1 1/2	1.6297	1.6258	1.7818	1.7808	1.6238	1.6222	JSI-2629-24
1 5/8	1 25/32	1 1/2	1.6297	1.6258	1.7818	1.7808	1.6238	1.6222	JSI-2629-24
1 3/4	1 15/16	1	1.7547	1.7507	1.9381	1.9371	1.7487	1.7471	JSI-2831-16
1 3/4	1 15/16	2	1.7547	1.7507	1.9381	1.9371	1.7487	1.7471	JSI-2831-32
1 7/8	2 1/16	1	1.8796	1.8757	2.0633	2.0621	1.8737	1.8721	JSI-3033-16
1 7/8	2 1/16	2	1.8796	1.8757	2.0633	2.0621	1.8737	1.8721	JSI-3033-32
2	2 3/16	1	2.0057	2.0011	2.1883	2.1871	1.9981	1.9969	JSI-3235-16
2	2 3/16	2	2.0057	2.0011	2.1883	2.1871	1.9981	1.9969	JSI-3235-32

iglidur® J3

Chapter ► Page 183

d1	d2	b1	d1 ³⁾		Housing hole		Shaft size		Part No.
			Max.	Min.	Max.	Min.	Max.	Min.	
1/8	3/16	3/16	0.1269	0.1251	0.1878	0.1873	0.1243	0.1236	J3SI-0203-03
3/16	1/4	1/4	0.1892	0.1873	0.2503	0.2497	0.1865	0.1858	J3SI-0304-04
3/16	1/4	3/8	0.1892	0.1873	0.2503	0.2497	0.1865	0.1858	J3SI-0304-06
1/4	5/16	3/8	0.2521	0.2498	0.3128	0.3122	0.2490	0.2481	J3SI-0405-06
1/4	5/16	1/2	0.2521	0.2498	0.3128	0.3122	0.2490	0.2481	J3SI-0405-08
5/16	3/8	1/4	0.3148	0.3125	0.3753	0.3747	0.3115	0.3106	J3SI-0506-04
5/16	3/8	3/8	0.3148	0.3125	0.3753	0.3747	0.3115	0.3106	J3SI-0506-06
5/16	3/8	1/2	0.3148	0.3125	0.3753	0.3747	0.3115	0.3106	J3SI-0506-08
3/8	15/32	1/4	0.3773	0.3750	0.4691	0.4684	0.3740	0.3731	J3SI-0607-04
3/8	15/32	3/8	0.3773	0.3750	0.4691	0.4684	0.3740	0.3731	J3SI-0607-06
3/8	15/32	1/2	0.3773	0.3750	0.4691	0.4684	0.3740	0.3731	J3SI-0607-08
3/8	15/32	5/8	0.3773	0.3750	0.4691	0.4684	0.3740	0.3731	J3SI-0607-10
3/8	15/32	3/4	0.3773	0.3750	0.4691	0.4684	0.3740	0.3731	J3SI-0607-12
7/16	17/32	1/2	0.4406	0.4379	0.5316	0.5309	0.4365	0.4355	J3SI-0708-08
7/16	17/32	3/4	0.4406	0.4379	0.5316	0.5309	0.4365	0.4355	J3SI-0708-12
1/2	19/32	1/4	0.5030	0.5003	0.5941	0.5934	0.4990	0.4980	J3SI-0809-04
1/2	19/32	3/8	0.5030	0.5003	0.5941	0.5934	0.4990	0.4980	J3SI-0809-06
1/2	19/32	1/2	0.5030	0.5003	0.5941	0.5934	0.4990	0.4980	J3SI-0809-08
1/2	19/32	5/8	0.5030	0.5003	0.5941	0.5934	0.4990	0.4980	J3SI-0809-10
1/2	19/32	3/4	0.5030	0.5003	0.5941	0.5934	0.4990	0.4980	J3SI-0809-12
1/2	19/32	1	0.5030	0.5003	0.5941	0.5934	0.4990	0.4980	J3SI-0809-16
9/16	21/32	1/2	0.5655	0.5627	0.6566	0.6559	0.5615	0.5605	J3SI-0910-08
9/16	21/32	5/8	0.5655	0.5627	0.6566	0.6559	0.5615	0.5605	J3SI-0910-10
9/16	21/32	3/4	0.5655	0.5627	0.6566	0.6559	0.5615	0.5605	J3SI-0910-12
5/8	23/32	1/2	0.6280	0.6253	0.7192	0.7184	0.6240	0.6230	J3SI-1011-08
5/8	23/32	3/4	0.6280	0.6253	0.7192	0.7184	0.6240	0.6230	J3SI-1011-12
5/8	23/32	1	0.6280	0.6253	0.7192	0.7184	0.6240	0.6230	J3SI-1011-16
3/4	7/8	1/2	0.7541	0.7505	0.8755	0.8747	0.7491	0.7479	J3SI-1214-08
3/4	7/8	3/4	0.7541	0.7505	0.8755	0.8747	0.7491	0.7479	J3SI-1214-12
3/4	7/8	1	0.7541	0.7505	0.8755	0.8747	0.7491	0.7479	J3SI-1214-16

³⁾ After press-fit. Testing methods ► Page 57

d1	d2	b1	d1 ³⁾		Housing hole		Shaft size		Part No.
			Max.	Min.	Max.	Min.	Max.	Min.	
7/8	1	1/2	0.8791	0.8757	1.0005	0.9997	0.8741	0.8729	J35SI-1416-08
7/8	1	3/4	0.8791	0.8757	1.0005	0.9997	0.8741	0.8729	J35SI-1416-12
7/8	1	1	0.8791	0.8757	1.0005	0.9997	0.8741	0.8729	J35SI-1416-16
1	1 1/8	1/2	1.0041	1.0007	1.1255	1.1247	0.9991	0.9979	J35SI-1618-08
1	1 1/8	3/4	1.0041	1.0007	1.1255	1.1247	0.9991	0.9979	J35SI-1618-12
1	1 1/8	1	1.0041	1.0007	1.1255	1.1247	0.9991	0.9979	J35SI-1618-16
1 1/8	1 9/32	3/4	1.1288	1.1254	1.2818	1.2808	1.1238	1.1226	J35SI-1820-12
1 1/8	1 9/32	1	1.1288	1.1254	1.2818	1.2808	1.1238	1.1226	J35SI-1820-16
1 1/8	1 9/32	1 1/4	1.1288	1.1254	1.2818	1.2808	1.1238	1.1226	J35SI-1820-20
1 1/4	1 13/32	3/4	1.2548	1.2508	1.4068	1.4058	1.2488	1.2472	J35SI-2022-12
1 1/4	1 13/32	1	1.2548	1.2508	1.4068	1.4058	1.2488	1.2472	J35SI-2022-16
1 1/4	1 13/32	1 1/4	1.2548	1.2508	1.4068	1.4058	1.2488	1.2472	J35SI-2022-20
1 1/2	1 21/32	1	1.5048	1.5008	1.6568	1.6558	1.4988	1.4972	J35SI-2426-16
1 1/2	1 21/32	1 1/2	1.5048	1.5008	1.6568	1.6558	1.4988	1.4972	J35SI-2426-24
1 5/8	1 25/32	1	1.6297	1.6258	1.7818	1.7808	1.6238	1.6222	J35SI-2629-16
1 5/8	1 25/32	1 1/2	1.6297	1.6258	1.7818	1.7808	1.6238	1.6222	J35SI-2629-24
1 3/4	1 15/16	1	1.7547	1.7507	1.9381	1.9371	1.7487	1.7471	J35SI-2831-16
1 3/4	1 15/16	2	1.7547	1.7507	1.9381	1.9371	1.7487	1.7471	J35SI-2831-32
1 7/8	2 1/16	1	1.8796	1.8757	2.0633	2.0621	1.8737	1.8721	J35SI-3033-16
1 7/8	2 1/16	2	1.8796	1.8757	2.0633	2.0621	1.8737	1.8721	J35SI-3033-32
2	2 3/16	1	2.0057	2.0011	2.1883	2.1871	1.9981	1.9969	J35SI-3235-16
2	2 3/16	2	2.0057	2.0011	2.1883	2.1871	1.9981	1.9969	J35SI-3235-32

iglidur® J350 Chapter ▶ Page 199

d1	d2	b1	d1 ³⁾		Housing hole		Shaft size		Part No.
			Max.	Min.	Max.	Min.	Max.	Min.	
1/8	3/16	3/16	.1266	.1247	.1878	.1873	.1243	.1236	J350SI-0203-03
3/16	1/4	1/4	.1888	.1869	.2503	.2497	.1865	.1858	J350SI-0304-04
3/16	1/4	3/8	.1888	.1869	.2503	.2497	.1865	.1858	J350SI-0304-06
1/4	5/16	3/8	.2518	.2495	.3128	.3122	.2490	.2481	J350SI-0405-06
1/4	5/16	1/2	.2518	.2495	.3128	.3122	.2490	.2481	J350SI-0405-08
5/16	3/8	1/4	.3143	.3120	.3753	.3747	.3115	.3106	J350SI-0506-04
5/16	3/8	3/8	.3143	.3120	.3753	.3747	.3115	.3106	J350SI-0506-06
5/16	3/8	1/2	.3143	.3120	.3753	.3747	.3115	.3106	J350SI-0506-08
3/8	15/32	1/4	.3768	.3745	.4691	.4684	.3740	.3731	J350SI-0607-04
3/8	15/32	3/8	.3768	.3745	.4691	.4684	.3740	.3731	J350SI-0607-06
3/8	15/32	1/2	.3768	.3745	.4691	.4684	.3740	.3731	J350SI-0607-08
3/8	15/32	5/8	.3768	.3745	.4691	.4684	.3740	.3731	J350SI-0607-10
3/8	15/32	3/4	.3768	.3745	.4691	.4684	.3740	.3731	J350SI-0607-12
7/16	17/32	1/2	.4399	.4371	.5316	.5309	.4365	.4355	J350SI-0708-08
7/16	17/32	3/4	.4399	.4371	.5316	.5309	.4365	.4355	J350SI-0708-12
1/2	19/32	1/4	.5024	.4996	.5941	.5934	.4990	.4980	J350SI-0809-04
1/2	19/32	3/8	.5024	.4996	.5941	.5934	.4990	.4980	J350SI-0809-06
1/2	19/32	1/2	.5024	.4996	.5941	.5934	.4990	.4980	J350SI-0809-08
1/2	19/32	5/8	.5024	.4996	.5941	.5934	.4990	.4980	J350SI-0809-10

³⁾ After press-fit. Testing methods ▶ Page 57

d1	d2	b1	d1 ³⁾		Housing hole		Shaft size		Part No.
			Max.	Min.	Max.	Min.	Max.	Min.	
1/2	19/32	3/4	.5024	.4996	.5941	.5934	.4990	.4980	J350SI-0809-12
1/2	19/32	1	.5024	.4996	.5941	.5934	.4990	.4980	J350SI-0809-16
9/16	21/32	1/2	.5649	.5620	.6566	.6559	.5615	.5605	J350SI-0910-08
9/16	21/32	5/8	.5649	.5620	.6566	.6559	.5615	.5605	J350SI-0910-10
9/16	21/32	3/4	.5649	.5620	.6566	.6559	.5615	.5605	J350SI-0910-12
5/8	23/32	1/2	.6274	.6246	.7192	.7184	.6240	.6230	J350SI-1011-08
5/8	23/32	3/4	.6274	.6246	.7192	.7184	.6240	.6230	J350SI-1011-12
5/8	23/32	1	.6274	.6246	.7192	.7184	.6240	.6230	J350SI-1011-16
3/4	7/8	1/2	.7532	.7499	.8755	.8747	.7491	.7479	J350SI-1214-08
3/4	7/8	3/4	.7532	.7499	.8755	.8747	.7491	.7479	J350SI-1214-12
3/4	7/8	1	.7532	.7499	.8755	.8747	.7491	.7479	J350SI-1214-16
7/8	1	1/2	.8782	.8749	1.0005	.9997	.8741	.8729	J350SI-1416-08
7/8	1	3/4	.8782	.8749	1.0005	.9997	.8741	.8729	J350SI-1416-12
7/8	1	1	.8782	.8749	1.0005	.9997	.8741	.8729	J350SI-1416-16
1	1 1/8	1/2	1.0032	.9999	1.1255	1.1247	.9991	.9979	J350SI-1618-08
1	1 1/8	3/4	1.0032	.9999	1.1255	1.1247	.9991	.9979	J350SI-1618-12
1	1 1/8	1	1.0032	.9999	1.1255	1.1247	.9991	.9979	J350SI-1618-16
1 1/8	1 9/32	3/4	1.1279	1.1246	1.2818	1.2808	1.1238	1.1226	J350SI-1820-12
1 1/8	1 9/32	1	1.1279	1.1246	1.2818	1.2808	1.1238	1.1226	J350SI-1820-16
1 1/8	1 9/32	1 1/4	1.1279	1.1246	1.2818	1.2808	1.1238	1.1226	J350SI-1820-20
1 1/4	1 13/32	3/4	1.2537	1.2498	1.4068	1.4058	1.2488	1.2472	J350SI-2022-12
1 1/4	1 13/32	1	1.2537	1.2498	1.4068	1.4058	1.2488	1.2472	J350SI-2022-16
1 1/4	1 13/32	1 1/4	1.2537	1.2498	1.4068	1.4058	1.2488	1.2472	J350SI-2022-20
1 1/2	1 21/32	1	1.5037	1.4998	1.6568	1.6558	1.4988	1.4972	J350SI-2426-16
1 1/2	1 21/32	1 1/2	1.5037	1.4998	1.6568	1.6558	1.4988	1.4972	J350SI-2426-24
1 5/8	1 25/32	1	1.6287	1.6248	1.7818	1.7808	1.6238	1.6222	J350SI-2629-16
1 5/8	1 25/32	1 1/2	1.6287	1.6248	1.7818	1.7808	1.6238	1.6222	J350SI-2629-24
1 3/4	1 15/16	1	1.7536	1.7497	1.9381	1.9371	1.7487	1.7471	J350SI-2831-16
1 3/4	1 15/16	2	1.7536	1.7497	1.9381	1.9371	1.7487	1.7471	J350SI-2831-32
1 7/8	2 1/16	1	1.8747	1.8786	2.0633	2.0621	1.8737	1.8721	J350SI-3033-16
1 7/8	2 1/16	2	1.8747	1.8786	2.0633	2.0621	1.8737	1.8721	J350SI-3033-32
2	2 3/16	1	2.0040	1.9993	2.1883	2.1871	1.9981	1.9969	J350SI-3235-16
2	2 3/16	2	2.0040	1.9993	2.1883	2.1871	1.9981	1.9969	J350SI-3235-32

iglidur® M250 Chapter ▶ Page 107

d1	d2	b1	d1 ³⁾		Housing hole		Shaft size		Part No.
			Max.	Min.	Max.	Min.	Max.	Min.	
1/8	3/16	1/8	.1280	.1262	.1990	.1985	.1250	.1241	MSI-0203-02
1/8	3/16	1/4	.1280	.1262	.1990	.1985	.1250	.1241	MSI-0203-04
1/8	1/4	1/8	.1280	.1262	.2515	.2510	.1250	.1241	MSI-0204-02
1/8	1/4	3/16	.1280	.1262	.2515	.2510	.1250	.1241	MSI-0204-03
1/8	1/4	1/4	.1280	.1262	.2515	.2510	.1250	.1241	MSI-0204-04
1/8	1/4	3/8	.1280	.1262	.2515	.2510	.1250	.1241	MSI-0204-06
3/16	1/4	1/4	.1905	.1887	.2515	.2510	.1875	.1866	MSI-0304-04
3/16	1/4	3/8	.1905	.1887	.2515	.2510	.1875	.1866	MSI-0304-06

³⁾ After press-fit. Testing methods ▶ Page 57

d1	d2	b1	d1 ³⁾		Housing hole		Shaft size		Part No.
			Max.	Min.	Max.	Min.	Max.	Min.	
3/16	1/4	1/2	.1905	.1887	.2515	.2510	.1875	.1866	MSI-0304-08
3/16	5/16	1/8	.1905	.1887	.3140	.3135	.1875	.1866	MSI-0305-02
3/16	5/16	3/16	.1905	.1887	.3140	.3135	.1875	.1866	MSI-0305-03
3/16	5/16	1/4	.1905	.1887	.3140	.3135	.1875	.1866	MSI-0305-04
3/16	5/16	5/16	.1905	.1887	.3140	.3135	.1875	.1866	MSI-0305-05
3/16	5/16	3/8	.1905	.1887	.3140	.3135	.1875	.1866	MSI-0305-06
3/16	5/16	1/2	.1905	.1887	.3140	.3135	.1875	.1866	MSI-0305-08
1/4	5/16	3/16	.2539	.2516	.3140	.3135	.2500	.2491	MSI-0405-03
1/4	5/16	3/8	.2539	.2516	.3140	.3135	.2500	.2491	MSI-0405-06
1/4	5/16	1/2	.2539	.2516	.3140	.3135	.2500	.2491	MSI-0405-08
1/4	3/8	1/8	.2539	.2516	.3765	.3760	.2500	.2491	MSI-0406-02
1/4	3/8	3/16	.2539	.2516	.3765	.3760	.2500	.2491	MSI-0406-03
1/4	3/8	1/4	.2539	.2516	.3765	.3760	.2500	.2491	MSI-0406-04
1/4	3/8	5/16	.2539	.2516	.3765	.3760	.2500	.2491	MSI-0406-05
1/4	3/8	3/8	.2539	.2516	.3765	.3760	.2500	.2491	MSI-0406-06
1/4	3/8	1/2	.2539	.2516	.3765	.3760	.2500	.2491	MSI-0406-08
1/4	3/8	5/8	.2539	.2516	.3765	.3760	.2500	.2491	MSI-0406-10
1/4	3/8	3/4	.2539	.2516	.3765	.3760	.2500	.2491	MSI-0406-12
5/16	3/8	1/4	.3164	.3141	.3765	.3760	.3125	.3116	MSI-0506-04
5/16	3/8	3/8	.3164	.3141	.3765	.3760	.3125	.3116	MSI-0506-06
5/16	3/8	1/2	.3164	.3141	.3765	.3760	.3125	.3116	MSI-0506-08
5/16	7/16	3/16	.3164	.3141	.4390	.4385	.3125	.3116	MSI-0507-03
5/16	7/16	1/4	.3164	.3141	.4390	.4385	.3125	.3116	MSI-0507-04
5/16	7/16	5/16	.3164	.3141	.4390	.4385	.3125	.3116	MSI-0507-05
5/16	7/16	3/8	.3164	.3141	.4390	.4385	.3125	.3116	MSI-0507-06
5/16	7/16	1/2	.3164	.3141	.4390	.4385	.3125	.3116	MSI-0507-08
5/16	7/16	5/8	.3164	.3141	.4390	.4385	.3125	.3116	MSI-0507-10
5/16	7/16	3/4	.3164	.3141	.4390	.4385	.3125	.3116	MSI-0507-12
3/8	7/16	1/4	.3789	.3766	.4390	.4385	.3750	.3741	MSI-0607-04
3/8	7/16	3/8	.3789	.3766	.4390	.4385	.3750	.3741	MSI-0607-06
3/8	7/16	1/2	.3789	.3766	.4390	.4385	.3750	.3741	MSI-0607-08
3/8	1/2	1/4	.3789	.3766	.5015	.5010	.3750	.3741	MSI-0608-04
3/8	1/2	5/16	.3789	.3766	.5015	.5010	.3750	.3741	MSI-0608-05
3/8	1/2	3/8	.3789	.3766	.5015	.5010	.3750	.3741	MSI-0608-06
3/8	1/2	1/2	.3789	.3766	.5015	.5010	.3750	.3741	MSI-0608-08
3/8	1/2	5/8	.3789	.3766	.5015	.5010	.3750	.3741	MSI-0608-10
3/8	1/2	3/4	.3789	.3766	.5015	.5010	.3750	.3741	MSI-0608-12
3/8	1/2	1	.3789	.3766	.5015	.5010	.3750	.3741	MSI-0608-16
7/16	9/16	3/8	.4422	.4395	.5941	.5934	.4375	.4365	MSI-0709-06
7/16	9/16	1/2	.4422	.4395	.5941	.5934	.4375	.4365	MSI-0709-08
1/2	5/8	1/4	.5047	.5020	.6260	.6250	.5000	.4990	MSI-0810-04
1/2	5/8	5/16	.5047	.5020	.6260	.6250	.5000	.4990	MSI-0810-05
1/2	5/8	3/8	.5047	.5020	.6260	.6250	.5000	.4990	MSI-0810-06
1/2	5/8	1/2	.5047	.5020	.6260	.6250	.5000	.4990	MSI-0810-08
1/2	5/8	5/8	.5047	.5020	.6260	.6250	.5000	.4990	MSI-0810-10
1/2	5/8	3/4	.5047	.5020	.6260	.6250	.5000	.4990	MSI-0810-12

³⁾ After press-fit. Testing methods ► Page 57

d1	d2	b1	d1 ³⁾		Housing hole		Shaft size		Part No.
			Max.	Min.	Max.	Min.	Max.	Min.	
1/2	5/8	1	.5047	.5020	.6260	.6250	.5000	.4990	MSI-0810-16
5/8	3/4	1/4	.6297	.6270	.7510	.7500	.6250	.6240	MSI-1012-04
5/8	3/4	3/8	.6297	.6270	.7510	.7500	.6250	.6240	MSI-1012-06
5/8	3/4	1/2	.6297	.6270	.7510	.7500	.6250	.6240	MSI-1012-08
5/8	3/4	5/8	.6297	.6270	.7510	.7500	.6250	.6240	MSI-1012-10
5/8	3/4	3/4	.6297	.6270	.7510	.7500	.6250	.6240	MSI-1012-12
5/8	3/4	1	.6297	.6270	.7510	.7500	.6250	.6240	MSI-1012-16
5/8	3/4	1 5/8	.6297	.6270	.7510	.7500	.6250	.6240	MSI-1012-26
5/8	13/16	3/8	.6297	.6270	.8135	.8125	.6250	.6240	MSI-1013-06
5/8	13/16	1/2	.6297	.6270	.8135	.8125	.6250	.6240	MSI-1013-08
5/8	13/16	5/8	.6297	.6270	.8135	.8125	.6250	.6240	MSI-1013-10
5/8	13/16	3/4	.6297	.6270	.8135	.8125	.6250	.6240	MSI-1013-12
5/8	13/16	1	.6297	.6270	.8135	.8125	.6250	.6240	MSI-1013-16
11/16	13/16	3/4	.6921	.6893	.8135	.8125	.6875	.6865	MSI-1113-12
11/16	13/16	7/8	.6921	.6893	.8135	.8125	.6875	.6865	MSI-1113-14
11/16	13/16	1	.6922	.6900	.8135	.8125	.6875	.6865	MSI-1113-16
3/4	7/8	3/8	.7559	.7525	.8760	.8750	.7500	.7490	MSI-1214-06
3/4	7/8	3/4	.7559	.7525	.8760	.8750	.7500	.7490	MSI-1214-12
3/4	7/8	1	.7559	.7525	.8760	.8750	.7500	.7490	MSI-1214-16
3/4	7/8	1 1/2	.7559	.7525	.8760	.8750	.7500	.7490	MSI-1214-24
3/4	1	3/8	.7559	.7525	1.0010	1.0000	.7500	.7490	MSI-1216-06
3/4	1	1/2	.7559	.7525	1.0010	1.0000	.7500	.7490	MSI-1216-08
3/4	1	5/8	.7559	.7525	1.0010	1.0000	.7500	.7490	MSI-1216-10
3/4	1	3/4	.7559	.7525	1.0010	1.0000	.7500	.7490	MSI-1216-12
3/4	1	1	.7559	.7525	1.0010	1.0000	.7500	.7490	MSI-1216-16
3/4	1	1 1/4	.7559	.7525	1.0010	1.0000	.7500	.7490	MSI-1216-20
3/4	1	1 1/2	.7559	.7525	1.0010	1.0000	.7500	.7490	MSI-1216-24
13/16	1	1/2	.8184	.8151	1.0010	1.0000	.8126	.8116	MSI-1316-08
7/8	1	3/4	.8809	.8775	1.0010	1.0000	.8750	.8740	MSI-1416-12
7/8	1	1	.8809	.8775	1.0010	1.0000	.8750	.8740	MSI-1416-16
7/8	1	1 1/2	.8809	.8775	1.0010	1.0000	.8750	.8740	MSI-1416-24
7/8	1 1/8	1/2	.8809	.8775	1.1260	1.1250	.8750	.8740	MSI-1418-08
7/8	1 1/8	3/4	.8809	.8775	1.1260	1.1250	.8750	.8740	MSI-1418-12
7/8	1 1/8	1	.8809	.8775	1.1260	1.1250	.8750	.8740	MSI-1418-16
7/8	1 1/8	1 1/2	.8809	.8775	1.1260	1.1250	.8750	.8740	MSI-1418-24
1	1 1/8	3/4	1.0059	1.0025	1.1260	1.1250	1.0000	.9990	MSI-1618-12
1	1 1/8	1	1.0059	1.0025	1.1260	1.1250	1.0000	.9990	MSI-1618-16
1	1 1/8	1 1/2	1.0059	1.0025	1.1260	1.1250	1.0000	.9990	MSI-1618-24
1	1 1/4	1/2	1.0059	1.0025	1.2510	1.2500	1.0000	.9990	MSI-1620-08
1	1 1/4	5/8	1.0059	1.0025	1.2510	1.2500	1.0000	.9990	MSI-1620-10
1	1 1/4	3/4	1.0059	1.0025	1.2510	1.2500	1.0000	.9990	MSI-1620-12
1	1 1/4	1	1.0059	1.0025	1.2510	1.2500	1.0000	.9990	MSI-1620-16
1	1 1/4	1 1/2	1.0059	1.0025	1.2510	1.2500	1.0000	.9990	MSI-1620-24
1	1 1/4	2	1.0059	1.0025	1.2510	1.2500	1.0000	.9990	MSI-1620-32
1 1/8	1 3/8	1	1.1309	1.1275	1.3760	1.3750	1.1250	1.1240	MSI-1822-16
1 1/8	1 3/8	1 1/2	1.1309	1.1275	1.3760	1.3750	1.1250	1.1240	MSI-1822-24

³⁾ After press-fit. Testing methods ► Page 57

d1	d2	b1	d1 ³⁾		Housing hole		Shaft size		Part No.
			Max.	Min.	Max.	Min.	Max.	Min.	
1 1/4	1 1/2	3/4	1.2600	1.2531	1.5005	1.4995	1.2500	1.2490	MSI-2024-12
1 1/4	1 1/2	1	1.2600	1.2531	1.5005	1.4995	1.2500	1.2490	MSI-2024-16
1 1/4	1 1/2	1 3/8	1.2600	1.2531	1.5005	1.4995	1.2500	1.2490	MSI-2024-22
1 1/4	1 1/2	1 1/2	1.2600	1.2531	1.5005	1.4995	1.2500	1.2490	MSI-2024-24
1 1/4	1 1/2	2 1/2	1.2600	1.2531	1.5005	1.4995	1.2500	1.2490	MSI-2024-40
1 3/8	1 5/8	1	1.3850	1.3182	1.6255	1.6245	1.3750	1.3740	MSI-2226-16
1 1/2	1 3/4	3/4	1.5100	1.5032	1.7505	1.7495	1.5000	1.4990	MSI-2428-12
1 1/2	1 3/4	1	1.5100	1.5032	1.7505	1.7495	1.5000	1.4990	MSI-2428-16
1 1/2	1 3/4	1 1/2	1.5100	1.5032	1.7505	1.7495	1.5000	1.4990	MSI-2428-24
1 1/2	1 3/4	2 /2	1.5100	1.5032	1.7505	1.7495	1.5000	1.4990	MSI-2428-40
1 5/8	1 7/8	1	1.6350	1.6282	1.8755	1.8745	1.6250	1.6240	MSI-2630-16
1 3/4	2	1/2	1.7560	1.7532	2.0005	1.9995	1.7500	1.7490	MSI-2832-08
1 3/4	2	3/4	1.7560	1.7532	2.0005	1.9995	1.7500	1.7490	MSI-2832-12
1 3/4	2	1	1.7560	1.7532	2.0005	1.9995	1.7500	1.7490	MSI-2832-16
1 3/4	2	1 1/2	1.7560	1.7532	2.0005	1.9995	1.7500	1.7490	MSI-2832-24
1 3/4	2	2 1/2	1.7560	1.7532	2.0005	1.9995	1.7500	1.7490	MSI-2832-40
2	2 1/4	1	2.0100	2.0032	2.2505	2.2495	2.0000	1.9990	MSI-3236-16
2	2 1/4	1 1/2	2.0100	2.0032	2.2505	2.2495	2.0000	1.9990	MSI-3236-24
2	2 1/4	2	2.0100	2.0032	2.2505	2.2495	2.0000	1.9990	MSI-3236-32
2	2 1/4	2 1/2	2.0100	2.0032	2.2505	2.2495	2.0000	1.9990	MSI-3236-40
3	3 1/4	1	3.0114	3.0039	3.2505	3.2495	3.0000	2.9990	MSI-4852-16

iglidur® P Chapter ▶ Page 131

d1	d2	b1	d1 ³⁾		Housing hole		Shaft size		Part No.
			Max.	Min.	Max.	Min.	Max.	Min.	
1/8	3/16	3/16	.1269	.1251	.1878	.1873	.1243	.1236	PSI-0203-03
3/16	1/4	1/4	.1892	.1873	.2503	.2497	.1865	.1858	PSI-0304-04
3/16	1/4	3/8	.1892	.1873	.2503	.2497	.1865	.1858	PSI-0304-06
1/4	5/16	3/8	.2521	.2498	.3128	.3122	.2490	.2481	PSI-0405-06
1/4	5/16	1/2	.2521	.2498	.3128	.3122	.2490	.2481	PSI-0405-08
5/16	3/8	1/4	.3148	.3125	.3753	.3747	.3115	.3106	PSI-0506-04
5/16	3/8	3/8	.3148	.3125	.3753	.3747	.3115	.3106	PSI-0506-06
5/16	3/8	1/2	.3148	.3125	.3753	.3747	.3115	.3106	PSI-0506-08
3/8	15/32	1/4	.3773	.3750	.4691	.4684	.3740	.3731	PSI-0607-04
3/8	15/32	3/8	.3773	.3750	.4691	.4684	.3740	.3731	PSI-0607-06
3/8	15/32	1/2	.3773	.3750	.4691	.4684	.3740	.3731	PSI-0607-08
3/8	15/32	5/8	.3773	.3750	.4691	.4684	.3740	.3731	PSI-0607-10
3/8	15/32	3/4	.3773	.3750	.4691	.4684	.3740	.3731	PSI-0607-12
7/16	17/32	1/2	.4406	.4379	.5316	.5309	.4365	.4355	PSI-0708-08
7/16	17/32	3/4	.4406	.4379	.5316	.5309	.4365	.4355	PSI-0708-12
1/2	19/32	1/4	.5030	.5003	.5941	.5934	.4990	.4980	PSI-0809-04
1/2	19/32	3/8	.5030	.5003	.5941	.5934	.4990	.4980	PSI-0809-06
1/2	19/32	1/2	.5030	.5003	.5941	.5934	.4990	.4980	PSI-0809-08
1/2	19/32	5/8	.5030	.5003	.5941	.5934	.4990	.4980	PSI-0809-10
1/2	19/32	3/4	.5030	.5003	.5941	.5934	.4990	.4980	PSI-0809-12

³⁾ After press-fit. Testing methods ▶ Page 57

d1	d2	b1	d1 ³⁾		Housing hole		Shaft size		Part No.
			Max.	Min.	Max.	Min.	Max.	Min.	
1/2	19/32	1	.5030	.5003	.5941	.5934	.4990	.4980	PSI-0809-16
9/16	21/32	1/2	.5655	.5627	.6566	.6559	.5615	.5605	PSI-0910-08
9/16	21/32	5/8	.5655	.5627	.6566	.6559	.5615	.5605	PSI-0910-10
9/16	21/32	3/4	.5655	.5627	.6566	.6559	.5615	.5605	PSI-0910-12
5/8	23/32	1/2	.6280	.6253	.7192	.7184	.6240	.6230	PSI-1011-08
5/8	23/32	3/4	.6280	.6253	.7192	.7184	.6240	.6230	PSI-1011-12
5/8	23/32	1	.6280	.6253	.7192	.7184	.6240	.6230	PSI-1011-16
3/4	7/8	1/2	.7541	.7505	.8755	.8747	.7491	.7479	PSI-1214-08
3/4	7/8	3/4	.7541	.7505	.8755	.8747	.7491	.7479	PSI-1214-12
3/4	7/8	1	.7541	.7505	.8755	.8747	.7491	.7479	PSI-1214-16
7/8	1	1/2	.8791	.8757	1.0005	.9997	.8741	.8729	PSI-1416-08
7/8	1	3/4	.8791	.8757	1.0005	.9997	.8741	.8729	PSI-1416-12
7/8	1	1	.8791	.8757	1.0005	.9997	.8741	.8729	PSI-1416-16
1	1 1/8	1/2	1.0041	1.0007	1.1255	1.1247	.9991	.9979	PSI-1618-08
1	1 1/8	3/4	1.0041	1.0007	1.1255	1.1247	.9991	.9979	PSI-1618-12
1	1 1/8	1	1.0041	1.0007	1.1255	1.1247	.9991	.9979	PSI-1618-16
1 1/8	1 9/32	3/4	1.1288	1.1254	1.2818	1.2808	1.1238	1.1226	PSI-1820-12
1 1/8	1 9/32	1	1.1288	1.1254	1.2818	1.2808	1.1238	1.1226	PSI-1820-16
1 1/8	1 9/32	1 1/4	1.1288	1.1254	1.2818	1.2808	1.1238	1.1226	PSI-1820-20
1 1/4	1 13/32	3/4	1.2548	1.2508	1.4068	1.4058	1.2488	1.2472	PSI-2022-12
1 1/4	1 13/32	1	1.2548	1.2508	1.4068	1.4058	1.2488	1.2472	PSI-2022-16
1 1/4	1 13/32	1 1/4	1.2548	1.2508	1.4068	1.4058	1.2488	1.2472	PSI-2022-20
1 1/2	1 21/32	1	1.5048	1.5008	1.6568	1.6558	1.4988	1.4972	PSI-2426-16
1 1/2	1 21/32	1 1/2	1.5048	1.5008	1.6568	1.6558	1.4988	1.4972	PSI-2426-24
1 5/8	1 25/32	1	1.6297	1.6258	1.7818	1.7808	1.6238	1.6222	PSI-2629-16
1 5/8	1 25/32	1 1/2	1.6297	1.6258	1.7818	1.7808	1.6238	1.6222	PSI-2629-24
1 3/4	1 15/16	1	1.7547	1.7507	1.9381	1.9371	1.7487	1.7471	PSI-2831-16
1 3/4	1 15/16	2	1.7547	1.7507	1.9381	1.9371	1.7487	1.7471	PSI-2831-32
1 7/8	2 1/16	1	1.8796	1.8757	2.0633	2.0621	1.8737	1.8721	PSI-3033-16
1 7/8	2 1/16	2	1.8796	1.8757	2.0633	2.0621	1.8737	1.8721	PSI-3033-32
2	2 3/16	1	2.0057	2.0011	2.1883	2.1871	1.9981	1.9969	PSI-3235-16
2	2 3/16	2	2.0057	2.0011	2.1883	2.1871	1.9981	1.9969	PSI-3235-32

iglidur® P210 Chapter ▶ Page 117

d1	d2	b1	d1 ³⁾		Housing hole		Shaft size		Part No.
			Max.	Min.	Max.	Min.	Max.	Min.	
1/8	3/16	3/16	.1269	.1251	.1878	.1873	.1243	.1236	P210SI-0203-03
3/16	1/4	1/4	.1892	.1873	.2503	.2497	.1865	.1858	P210SI-0304-04
3/16	1/4	3/8	.1892	.1873	.2503	.2497	.1865	.1858	P210SI-0304-06
1/4	5/16	3/8	.2521	.2498	.3128	.3122	.2490	.2481	P210SI-0405-06
1/4	5/16	1/2	.2521	.2498	.3128	.3122	.2490	.2481	P210SI-0405-08
5/16	3/8	1/4	.3148	.3125	.3753	.3747	.3115	.3106	P210SI-0506-04
5/16	3/8	3/8	.3148	.3125	.3753	.3747	.3115	.3106	P210SI-0506-06
5/16	3/8	1/2	.3148	.3125	.3753	.3747	.3115	.3106	P210SI-0506-08
3/8	15/32	1/4	.3773	.3750	.4691	.4684	.3740	.3731	P210SI-0607-04

³⁾ After press-fit. Testing methods ▶ Page 57

d1	d2	b1	d1 ³⁾		Housing hole		Shaft size		Part No.
			Max.	Min.	Max.	Min.	Max.	Min.	
3/8	15/32	3/8	.3773	.3750	.4691	.4684	.3740	.3731	P210SI-0607-06
3/8	15/32	1/2	.3773	.3750	.4691	.4684	.3740	.3731	P210SI-0607-08
3/8	15/32	5/8	.3773	.3750	.4691	.4684	.3740	.3731	P210SI-0607-10
3/8	15/32	3/4	.3773	.3750	.4691	.4684	.3740	.3731	P210SI-0607-12
7/16	17/32	1/2	.4406	.4379	.5316	.5309	.4365	.4355	P210SI-0708-08
7/16	17/32	3/4	.4406	.4379	.5316	.5309	.4365	.4355	P210SI-0708-12
1/2	19/32	1/4	.5030	.5003	.5941	.5934	.4990	.4980	P210SI-0809-04
1/2	19/32	3/8	.5030	.5003	.5941	.5934	.4990	.4980	P210SI-0809-06
1/2	19/32	1/2	.5030	.5003	.5941	.5934	.4990	.4980	P210SI-0809-08
1/2	19/32	5/8	.5030	.5003	.5941	.5934	.4990	.4980	P210SI-0809-10
1/2	19/32	3/4	.5030	.5003	.5941	.5934	.4990	.4980	P210SI-0809-12
1/2	19/32	1	.5030	.5003	.5941	.5934	.4990	.4980	P210SI-0809-16
9/16	21/32	1/2	.5655	.5627	.6566	.6559	.5615	.5605	P210SI-0910-08
9/16	21/32	5/8	.5655	.5627	.6566	.6559	.5615	.5605	P210SI-0910-10
9/16	21/32	3/4	.5655	.5627	.6566	.6559	.5615	.5605	P210SI-0910-12
5/8	23/32	1/2	.6280	.6253	.7192	.7184	.6240	.6230	P210SI-1011-08
5/8	23/32	3/4	.6280	.6253	.7192	.7184	.6240	.6230	P210SI-1011-12
5/8	23/32	1	.6280	.6253	.7192	.7184	.6240	.6230	P210SI-1011-16
3/4	7/8	1/2	.7541	.7505	.8755	.8747	.7491	.7479	P210SI-1214-08
3/4	7/8	3/4	.7541	.7505	.8755	.8747	.7491	.7479	P210SI-1214-12
3/4	7/8	1	.7541	.7505	.8755	.8747	.7491	.7479	P210SI-1214-16
7/8	1	1/2	.8791	.8757	1.0005	.9997	.8741	.8729	P210SI-1416-08
7/8	1	3/4	.8791	.8757	1.0005	.9997	.8741	.8729	P210SI-1416-12
7/8	1	1	.8791	.8757	1.0005	.9997	.8741	.8729	P210SI-1416-16
1	1 1/8	1/2	1.0041	1.0007	1.1255	1.1247	.9991	.9979	P210SI-1618-08
1	1 1/8	3/4	1.0041	1.0007	1.1255	1.1247	.9991	.9979	P210SI-1618-12
1	1 1/8	1	1.0041	1.0007	1.1255	1.1247	.9991	.9979	P210SI-1618-16
1 1/8	1 9/32	3/4	1.1288	1.1254	1.2818	1.2808	1.1238	1.1226	P210SI-1820-12
1 1/8	1 9/32	1	1.1288	1.1254	1.2818	1.2808	1.1238	1.1226	P210SI-1820-16
1 1/8	1 9/32	1 1/4	1.1288	1.1254	1.2818	1.2808	1.1238	1.1226	P210SI-1820-20
1 1/4	1 13/32	3/4	1.2548	1.2508	1.4068	1.4058	1.2488	1.2472	P210SI-2022-12
1 1/4	1 13/32	1	1.2548	1.2508	1.4068	1.4058	1.2488	1.2472	P210SI-2022-16
1 1/4	1 13/32	1 1/4	1.2548	1.2508	1.4068	1.4058	1.2488	1.2472	P210SI-2022-20
1 1/2	1 21/32	1	1.5048	1.5008	1.6568	1.6558	1.4988	1.4972	P210SI-2426-16
1 1/2	1 21/32	1 1/2	1.5048	1.5008	1.6568	1.6558	1.4988	1.4972	P210SI-2426-24
1 5/8	1 25/32	1	1.6297	1.6258	1.7818	1.7808	1.6238	1.6222	P210SI-2629-16
1 5/8	1 25/32	1 1/2	1.6297	1.6258	1.7818	1.7808	1.6238	1.6222	P210SI-2629-24
1 3/4	1 15/16	1	1.7547	1.7507	1.9381	1.9371	1.7487	1.7471	P210SI-2831-16
1 3/4	1 15/16	2	1.7547	1.7507	1.9381	1.9371	1.7487	1.7471	P210SI-2831-32
1 7/8	2 1/16	1	1.8796	1.8757	2.0633	2.0621	1.8737	1.8721	P210SI-3033-16
1 7/8	2 1/16	2	1.8796	1.8757	2.0633	2.0621	1.8737	1.8721	P210SI-3033-32
2	2 3/16	1	2.0057	2.0011	2.1883	2.1871	1.9981	1.9969	P210SI-3235-16
2	2 3/16	2	2.0057	2.0011	2.1883	2.1871	1.9981	1.9969	P210SI-3235-32

³⁾ After press-fit. Testing methods ► Page 57

iglidur® Q Chapter ► Page 459

d1	d2	b1	d1 ³⁾		Housing hole		Shaft size		Part No.
			Max.	Min.	Max.	Min.	Max.	Min.	
3/8	15/32	1/4	.3773	.3750	.4691	.4684	.3740	.3731	QSI-0607-04
3/8	15/32	3/8	.3773	.3750	.4691	.4684	.3740	.3731	QSI-0607-06
3/8	15/32	1/2	.3773	.3750	.4691	.4684	.3740	.3731	QSI-0607-08
7/16	17/32	1/2	.4406	.4379	.5316	.5309	.4365	.4355	QSI-0708-08
1/2	19/32	3/4	.5030	.5003	.5941	.5934	.4990	.4980	QSI-0809-12
5/8	23/32	3/4	.6280	.6253	.7192	.7184	.6240	.6230	QSI-1011-12
3/4	7/8	1/2	.7541	.7507	.8755	.8747	.7491	.7479	QSI-1214-08
3/4	7/8	3/4	.7541	.7507	.8755	.8747	.7491	.7479	QSI-1214-12
3/4	7/8	1	.7541	.7507	.8755	.8747	.7491	.7479	QSI-1214-16
7/8	1	1	.8791	.8757	1.0005	.9997	.8741	.8729	QSI-1416-16
1	1 1/8	1	1.0041	1.0007	1.1255	1.1247	.9991	.9979	QSI-1618-16
1	1 1/8	1 1/2	1.0041	1.0007	1.1255	1.1247	.9991	.9979	QSI-1618-24
1 1/8	1 9/32	1 1/2	1.1288	1.1254	1.2818	1.2808	1.1238	1.1226	QSI-1820-24
1 1/4	1 13/32	1 1/4	1.2548	1.2508	1.4068	1.4058	1.2488	1.2472	QSI-2022-20
1 1/4	1 13/32	1 1/2	1.2548	1.2508	1.4068	1.4058	1.2488	1.2472	QSI-2022-24
1 1/2	1 21/32	1 1/2	1.5048	1.5008	1.6568	1.6558	1.4988	1.4972	QSI-2426-24
1 5/8	1 25/32	1 1/4	1.6297	1.6258	1.7818	1.7808	1.6238	1.6222	QSI-2629-20
1 3/4	1 15/16	2	1.7547	1.7507	1.9381	1.9371	1.7487	1.7471	QSI-2831-32
2	2 3/16	3/4	2.0057	2.0011	2.1883	2.1871	1.9981	1.9969	QSI-3235-12
2	2 3/16	1	2.0057	2.0011	2.1883	2.1871	1.9981	1.9969	QSI-3235-16
2	2 3/16	1 1/2	2.0057	2.0011	2.1883	2.1871	1.9981	1.9969	QSI-3235-24
2	2 3/16	2	2.0057	2.0011	2.1883	2.1871	1.9981	1.9969	QSI-3235-32
2	2 3/16	2 1/2	2.0057	2.0011	2.1883	2.1871	1.9981	1.9969	QSI-3235-40
2 1/4	2 7/16	2	2.2577	2.2531	2.4377	2.4365	2.2507	2.2489	QSI-3639-32

iglidur® Q2 Chapter ► Page 445

d1	d2	b1	d1 ³⁾		Housing hole		Shaft size		Part No.
			Max.	Min.	Max.	Min.	Max.	Min.	
1/8	3/16	3/16	.1269	.1251	.1878	.1873	.1243	.1236	Q2SI-0203-03
3/16	1/4	1/4	.1892	.1873	.2503	.2497	.1865	.1858	Q2SI-0304-04
3/16	1/4	3/8	.1892	.1873	.2503	.2497	.1865	.1858	Q2SI-0304-06
1/4	5/16	3/8	.2521	.2498	.3128	.3122	.2490	.2481	Q2SI-0405-06
1/4	5/16	1/2	.2521	.2498	.3128	.3122	.2490	.2481	Q2SI-0405-08
5/16	3/8	1/4	.3148	.3125	.3753	.3747	.3115	.3106	Q2SI-0506-04
5/16	3/8	3/8	.3148	.3125	.3753	.3747	.3115	.3106	Q2SI-0506-06
5/16	3/8	1/2	.3148	.3125	.3753	.3747	.3115	.3106	Q2SI-0506-08
3/8	15/32	1/4	.3773	.3750	.4691	.4684	.3740	.3731	Q2SI-0607-04
3/8	15/32	3/8	.3773	.3750	.4691	.4684	.3740	.3731	Q2SI-0607-06
3/8	15/32	1/2	.3773	.3750	.4691	.4684	.3740	.3731	Q2SI-0607-08
3/8	15/32	5/8	.3773	.3750	.4691	.4684	.3740	.3731	Q2SI-0607-10
3/8	15/32	3/4	.3773	.3750	.4691	.4684	.3740	.3731	Q2SI-0607-12
7/16	17/32	1/2	.4406	.4379	.5316	.5309	.4365	.4355	Q2SI-0708-08
7/16	17/32	3/4	.4406	.4379	.5316	.5309	.4365	.4355	Q2SI-0708-12

³⁾ After press-fit. Testing methods ► Page 57

d1	d2	b1	d1 ³⁾		Housing hole		Shaft size		Part No.
			Max.	Min.	Max.	Min.	Max.	Min.	
1/2	19/32	1/4	.5030	.5003	.5941	.5934	.4990	.4980	Q2SI-0809-04
1/2	19/32	3/8	.5030	.5003	.5941	.5934	.4990	.4980	Q2SI-0809-06
1/2	19/32	1/2	.5030	.5003	.5941	.5934	.4990	.4980	Q2SI-0809-08
1/2	19/32	5/8	.5030	.5003	.5941	.5934	.4990	.4980	Q2SI-0809-10
1/2	19/32	3/4	.5030	.5003	.5941	.5934	.4990	.4980	Q2SI-0809-12
1/2	19/32	1	.5030	.5003	.5941	.5934	.4990	.4980	Q2SI-0809-16
9/16	21/32	1/2	.5655	.5627	.6566	.6559	.5615	.5605	Q2SI-0910-08
9/16	21/32	5/8	.5655	.5627	.6566	.6559	.5615	.5605	Q2SI-0910-10
9/16	21/32	3/4	.5655	.5627	.6566	.6559	.5615	.5605	Q2SI-0910-12
5/8	23/32	1/2	.6280	.6253	.7192	.7184	.6240	.6230	Q2SI-1011-08
5/8	23/32	3/4	.6280	.6253	.7192	.7184	.6240	.6230	Q2SI-1011-12
5/8	23/32	1	.6280	.6253	.7192	.7184	.6240	.6230	Q2SI-1011-16
3/4	7/8	1/2	.7541	.7505	.8755	.8747	.7491	.7479	Q2SI-1214-08
3/4	7/8	3/4	.7541	.7505	.8755	.8747	.7491	.7479	Q2SI-1214-12
3/4	7/8	1	.7541	.7505	.8755	.8747	.7491	.7479	Q2SI-1214-16
3/4	1	3/4	.7541	.7508	1.0010	1.0000	.7491	.7479	Q2SI-1216-16
7/8	1	1/2	.8791	.8757	1.0005	.9997	.8741	.8729	Q2SI-1416-08
7/8	1	3/4	.8791	.8757	1.0005	.9997	.8741	.8729	Q2SI-1416-12
7/8	1	1	.8791	.8757	1.0005	.9997	.8741	.8729	Q2SI-1416-16
1	1 1/8	1/2	1.0041	1.0007	1.1255	1.1247	.9991	.9979	Q2SI-1618-08
1	1 1/8	3/4	1.0041	1.0007	1.1255	1.1247	.9991	.9979	Q2SI-1618-12
1	1 1/8	1	1.0041	1.0007	1.1255	1.1247	.9991	.9979	Q2SI-1618-16
1	1 1/4	1 1/2	1.0041	1.0007	1.2510	1.2500	.9991	.9979	Q2SI-1620-24
1 1/8	1 9/32	3/4	1.1288	1.1254	1.2818	1.2808	1.1238	1.1226	Q2SI-1820-12
1 1/8	1 9/32	1	1.1288	1.1254	1.2818	1.2808	1.1238	1.1226	Q2SI-1820-16
1 1/8	1 9/32	1 1/4	1.1288	1.1254	1.2818	1.2808	1.1238	1.1226	Q2SI-1820-20
1 1/4	1 13/32	3/4	1.2548	1.2508	1.4068	1.4058	1.2488	1.2472	Q2SI-2022-12
1 1/4	1 13/32	1	1.2548	1.2508	1.4068	1.4058	1.2488	1.2472	Q2SI-2022-16
1 1/4	1 13/32	1 1/4	1.2548	1.2508	1.4068	1.4058	1.2488	1.2472	Q2SI-2022-20
1 1/4	1 13/32	1 1/2	1.2548	1.2508	1.4068	1.4058	1.2488	1.2472	Q2SI-2022-24
1 1/4	1 1/2	1 1/2	1.2548	1.2508	1.501	1.500	1.2488	1.2472	Q2SI-2024-24
1 1/2	1 21/32	1	1.5048	1.5008	1.6568	1.6558	1.4988	1.4972	Q2SI-2426-16
1 1/2	1 21/32	1 1/2	1.5048	1.5008	1.6568	1.6558	1.4988	1.4972	Q2SI-2426-24
1 1/2	1 3/4	1 1/2	1.5048	1.5008	1.7505	1.7495	1.4988	1.4972	Q2SI-2428-24
1 5/8	1 25/32	1	1.6297	1.6258	1.7818	1.7808	1.6238	1.6222	Q2SI-2629-16
1 5/8	1 25/32	1 1/2	1.6297	1.6258	1.7818	1.7808	1.6238	1.6222	Q2SI-2629-24
1 3/4	1 15/16	1	1.7547	1.7507	1.9381	1.9371	1.7487	1.7471	Q2SI-2831-16
1 3/4	1 15/16	2	1.7547	1.7507	1.9381	1.9371	1.7487	1.7471	Q2SI-2831-32
1 7/8	2 1/16	1	1.8796	1.8757	2.0633	2.0621	1.8737	1.8721	Q2SI-3033-16
1 7/8	2 1/16	2	1.8796	1.8757	2.0633	2.0621	1.8737	1.8721	Q2SI-3033-32
2	2 3/16	1	2.0057	2.0011	2.1883	2.1871	1.9981	1.9969	Q2SI-3235-16
2	2 3/16	2	2.0057	2.0011	2.1883	2.1871	1.9981	1.9969	Q2SI-3235-32
2	2 1/4	2 1/4	2.0059	2.0012	2.2505	2.2495	1.9981	1.9969	Q2SI-3236-36

³⁾ After press-fit. Testing methods ► Page 57

iglidur® W300 Chapter ► Page 171

d1	d2	b1	d1 ³⁾		Housing hole		Shaft size		Part No.
			Max.	Min.	Max.	Min.	Max.	Min.	
1/8	3/16	3/16	.1269	.1251	.1878	.1873	.1243	.1236	WSI-0203-03
1/8	3/16	1/4	.1269	.1251	.1878	.1873	.1243	.1236	WSI-0203-04
1/8	3/16	3/8	.1269	.1251	.1878	.1873	.1243	.1236	WSI-0203-06
3/16	1/4	1/4	.1892	.1873	.2503	.2497	.1865	.1858	WSI-0304-04
3/16	1/4	3/8	.1892	.1873	.2503	.2497	.1865	.1858	WSI-0304-06
3/16	1/4	1/2	.1892	.1873	.2503	.2497	.1865	.1858	WSI-0304-08
1/4	5/16	3/16	.2521	.2498	.3128	.3122	.2490	.2481	WSI-0405-03
1/4	5/16	1/4	.2521	.2498	.3128	.3122	.2490	.2481	WSI-0405-04
1/4	5/16	5/16	.2521	.2498	.3128	.3122	.2490	.2481	WSI-0405-05
1/4	5/16	3/8	.2521	.2498	.3128	.3122	.2490	.2481	WSI-0405-06
1/4	5/16	1/2	.2521	.2498	.3128	.3122	.2490	.2481	WSI-0405-08
5/16	3/8	1/4	.3148	.3125	.3753	.3747	.3115	.3106	WSI-0506-04
5/16	3/8	3/8	.3148	.3125	.3753	.3747	.3115	.3106	WSI-0506-06
5/16	3/8	1/2	.3148	.3125	.3753	.3747	.3115	.3106	WSI-0506-08
5/16	3/8	3/4	.3148	.3125	.3753	.3747	.3115	.3106	WSI-0506-12
3/8	15/32	1/4	.3773	.3750	.4691	.4684	.3740	.3731	WSI-0607-04
3/8	15/32	3/8	.3773	.3750	.4691	.4684	.3740	.3731	WSI-0607-06
3/8	15/32	7/16	.3773	.3750	.4691	.4684	.3740	.3731	WSI-0607-07
3/8	15/32	1/2	.3773	.3750	.4691	.4684	.3740	.3731	WSI-0607-08
3/8	15/32	5/8	.3773	.3750	.4691	.4684	.3740	.3731	WSI-0607-10
3/8	15/32	3/4	.3773	.3750	.4691	.4684	.3740	.3731	WSI-0607-12
3/8	17/32	3/4	.3773	.3750	.5316	.5309	.3740	.3731	WSI-0608-12
7/16	17/32	1/4	.4406	.4379	.5316	.5309	.4365	.4355	WSI-0708-04
7/16	17/32	1/2	.4406	.4379	.5316	.5309	.4365	.4355	WSI-0708-08
7/16	17/32	3/4	.4406	.4379	.5316	.5309	.4365	.4355	WSI-0708-12
1/2	19/32	3/16	.5030	.5003	.5941	.5934	.4990	.4980	WSI-0809-03
1/2	19/32	1/4	.5030	.5003	.5941	.5934	.4990	.4980	WSI-0809-04
1/2	19/32	3/8	.5030	.5003	.5941	.5934	.4990	.4980	WSI-0809-06
1/2	19/32	1/2	.5030	.5003	.5941	.5934	.4990	.4980	WSI-0809-08
1/2	19/32	5/8	.5030	.5003	.5941	.5934	.4990	.4980	WSI-0809-10
1/2	19/32	3/4	.5030	.5003	.5941	.5934	.4990	.4980	WSI-0809-12
1/2	19/32	1	.5030	.5003	.5941	.5934	.4990	.4980	WSI-0809-16
1/2	5/8	1/2	.5040	.5013	.6260	.6250	.5000	.4990	WSI-0810-08
1/2	5/8	5/8	.5040	.5013	.6260	.6250	.5000	.4990	WSI-0810-10
1/2	5/8	3/4	.5040	.5013	.6260	.6250	.5000	.4990	WSI-0810-12
1/2	5/8	1	.5040	.5013	.6260	.6250	.5000	.4990	WSI-0810-16
9/16	21/32	1/2	.5655	.5627	.6566	.6559	.5615	.5605	WSI-0910-08
9/16	21/32	5/8	.5655	.5627	.6566	.6559	.5615	.5605	WSI-0910-10
9/16	21/32	3/4	.5655	.5627	.6566	.6559	.5615	.5605	WSI-0910-12
5/8	23/32	1/4	.6280	.6253	.7192	.7184	.6240	.6230	WSI-1011-04
5/8	23/32	3/8	.6280	.6253	.7192	.7184	.6240	.6230	WSI-1011-06
5/8	23/32	1/2	.6280	.6253	.7192	.7184	.6240	.6230	WSI-1011-08
5/8	23/32	5/8	.6280	.6253	.7192	.7184	.6240	.6230	WSI-1011-10
5/8	23/32	3/4	.6280	.6253	.7192	.7184	.6240	.6230	WSI-1011-12

³⁾ After press-fit. Testing methods ► Page 57

d1	d2	b1	d1 ³⁾		Housing hole		Shaft size		Part No.
			Max.	Min.	Max.	Min.	Max.	Min.	
5/8	23/32	1	.6280	.6253	.7192	.7184	.6240	.6230	WSI-1011-16
11/16	25/32	3/4	.6906	.6879	.7817	.7809	.6865	.6855	WSI-1112-12
3/4	7/8	1/2	.7541	.7507	.8755	.8747	.7491	.7479	WSI-1214-08
3/4	7/8	3/4	.7541	.7507	.8755	.8747	.7491	.7479	WSI-1214-12
3/4	7/8	1	.7541	.7507	.8755	.8747	.7491	.7479	WSI-1214-16
3/4	7/8	1 1/2	.7541	.7507	.8755	.8747	.7491	.7479	WSI-1214-24
7/8	1	1/4	.8791	.8757	1.0005	.9997	.8741	.8729	WSI-1416-04
7/8	1	3/8	.8791	.8757	1.0005	.9997	.8741	.8729	WSI-1416-06
7/8	1	1/2	.8791	.8757	1.0005	.9997	.8741	.8729	WSI-1416-08
7/8	1	5/8	.8791	.8757	1.0005	.9997	.8741	.8729	WSI-1416-10
7/8	1	3/4	.8791	.8757	1.0005	.9997	.8741	.8729	WSI-1416-12
7/8	1	1	.8791	.8757	1.0005	.9997	.8741	.8729	WSI-1416-16
7/8	1	1 1/2	.8791	.8757	1.0005	.9997	.8741	.8729	WSI-1416-24
1	1 1/8	3/8	1.0041	1.0007	1.1255	1.1247	.9991	.9979	WSI-1618-06
1	1 1/8	1/2	1.0041	1.0007	1.1255	1.1247	.9991	.9979	WSI-1618-08
1	1 1/8	3/4	1.0041	1.0007	1.1255	1.1247	.9991	.9979	WSI-1618-12
1	1 1/8	1	1.0041	1.0007	1.1255	1.1247	.9991	.9979	WSI-1618-16
1	1 1/8	1 5/16	1.0041	1.0007	1.1255	1.1247	.9991	.9979	WSI-1618-20
1	1 1/8	1 3/8	1.0041	1.0007	1.1255	1.1247	.9991	.9979	WSI-1618-22
1	1 1/8	1 1/2	1.0041	1.0007	1.1255	1.1247	.9991	.9979	WSI-1618-24
1 1/8	1 9/32	3/4	1.1288	1.1254	1.2818	1.2808	1.1238	1.1226	WSI-1820-12
1 1/8	1 9/32	1	1.1288	1.1254	1.2818	1.2808	1.1238	1.1226	WSI-1820-16
1 1/8	1 9/32	1 1/4	1.1288	1.1254	1.2818	1.2808	1.1238	1.1226	WSI-1820-20
1 1/4	1 13/32	3/4	1.2548	1.2508	1.4068	1.4058	1.2488	1.2472	WSI-2022-12
1 1/4	1 13/32	7/8	1.2548	1.2508	1.4068	1.4058	1.2488	1.2472	WSI-2022-14
1 1/4	1 13/32	1	1.2548	1.2508	1.4068	1.4058	1.2488	1.2472	WSI-2022-16
1 1/4	1 13/32	1 1/4	1.2548	1.2508	1.4068	1.4058	1.2488	1.2472	WSI-2022-20
1 1/4	1 13/32	1 1/2	1.2548	1.2508	1.4068	1.4058	1.2488	1.2472	WSI-2022-24
1 3/8	1 17/32	1	1.3798	1.3758	1.5318	1.5308	1.3738	1.3722	WSI-2224-16
1 3/8	1 17/32	1 1/2	1.3798	1.3758	1.5318	1.5308	1.3738	1.3722	WSI-2224-24
1 1/2	1 21/32	3/4	1.5048	1.5008	1.6568	1.6558	1.4988	1.4972	WSI-2426-12
1 1/2	1 21/32	1	1.5048	1.5008	1.6568	1.6558	1.4988	1.4972	WSI-2426-16
1 1/2	1 21/32	1 1/2	1.5048	1.5008	1.6568	1.6558	1.4988	1.4972	WSI-2426-24
1 1/2	1 21/32	2 3/4	1.5048	1.5008	1.6568	1.6558	1.4988	1.4972	WSI-2426-44
1 5/8	1 25/32	1	1.6297	1.6258	1.7818	1.7808	1.6238	1.6222	WSI-2629-16
1 5/8	1 25/32	1 1/4	1.6297	1.6258	1.7818	1.7808	1.6238	1.6222	WSI-2629-20
1 5/8	1 25/32	1 1/2	1.6297	1.6258	1.7818	1.7808	1.6238	1.6222	WSI-2629-24
1 3/4	1 15/16	1	1.7547	1.7507	1.9381	1.9371	1.7487	1.7471	WSI-2831-16
1 3/4	1 15/16	1 1/2	1.7547	1.7507	1.9381	1.9371	1.7487	1.7471	WSI-2831-24
1 3/4	1 15/16	2	1.7547	1.7507	1.9381	1.9371	1.7487	1.7471	WSI-2831-32
1 3/4	1 15/16	3	1.7547	1.7507	1.9381	1.9371	1.7487	1.7471	WSI-2831-48
1 7/8	2 1/16	1	1.8796	1.8757	2.0621	2.0633	1.8721	1.8737	WSI-3033-16
1 7/8	2 1/16	2	1.8796	1.8757	2.0621	2.0633	1.8721	1.8737	WSI-3033-32
2	2 3/16	1	2.0057	2.0011	2.1883	2.1871	1.9981	1.9969	WSI-3235-16
2	2 3/16	1 1/2	2.0057	2.0011	2.1883	2.1871	1.9981	1.9969	WSI-3235-24
2	2 3/16	2	2.0057	2.0011	2.1883	2.1871	1.9981	1.9969	WSI-3235-32

³⁾ After press-fit. Testing methods ► Page 57

d1	d2	b1	d1 ³⁾		Housing hole		Shaft size		Part No.
			Max.	Min.	Max.	Min.	Max.	Min.	
2 1/4	2 7/16	2	2.2577	2.2531	2.4377	2.4365	2.2507	2.2489	WSI-3639-32

iglidur® X Chapter ► Page 279

d1	d2	b1	d1 ³⁾		Housing hole		Shaft size		Part No.
			Max.	Min.	Max.	Min.	Max.	Min.	
1/8	3/16	3/16	.1266	.1247	.1878	.1873	.1243	.1236	XSI-0203-03
1/8	3/16	5/16	.1266	.1247	.1878	.1873	.1243	.1236	XSI-0203-05
1/8	3/16	3/8	.1266	.1247	.1878	.1873	.1243	.1236	XSI-0203-06
3/16	1/4	3/16	.1888	.1869	.2503	.2497	.1865	.1858	XSI-0304-03
3/16	1/4	1/4	.1888	.1869	.2503	.2497	.1865	.1858	XSI-0304-04
3/16	1/4	3/8	.1888	.1869	.2503	.2497	.1865	.1858	XSI-0304-06
3/16	1/4	1/2	.1888	.1869	.2503	.2497	.1865	.1858	XSI-0304-08
1/4	5/16	1/4	.2518	.2495	.3128	.3122	.2490	.2481	XSI-0405-04
1/4	5/16	3/8	.2518	.2495	.3128	.3122	.2490	.2481	XSI-0405-06
1/4	5/16	1/2	.2518	.2495	.3128	.3122	.2490	.2481	XSI-0405-08
5/16	3/8	1/4	.3143	.3120	.3753	.3747	.3115	.3106	XSI-0506-04
5/16	3/8	3/8	.3143	.3120	.3753	.3747	.3115	.3106	XSI-0506-06
5/16	3/8	1/2	.3143	.3120	.3753	.3747	.3115	.3106	XSI-0506-08
3/8	15/32	1/4	.3768	.3745	.4691	.4684	.3740	.3731	XSI-0607-04
3/8	15/32	5/16	.3768	.3745	.4691	.4684	.3740	.3731	XSI-0607-05
3/8	15/32	3/8	.3768	.3745	.4691	.4684	.3740	.3731	XSI-0607-06
3/8	15/32	1/2	.3768	.3745	.4691	.4684	.3740	.3731	XSI-0607-08
3/8	15/32	5/8	.3768	.3745	.4691	.4684	.3740	.3731	XSI-0607-10
3/8	15/32	3/4	.3768	.3745	.4691	.4684	.3740	.3731	XSI-0607-12
7/16	17/32	1/4	.4399	.4371	.5316	.5309	.4365	.4355	XSI-0708-04
7/16	17/32	1/2	.4399	.4371	.5316	.5309	.4365	.4355	XSI-0708-08
7/16	17/32	5/8	.4399	.4371	.5316	.5309	.4365	.4355	XSI-0708-10
7/16	17/32	3/4	.4399	.4371	.5316	.5309	.4365	.4355	XSI-0708-12
1/2	19/32	1/4	.5030	.5003	.5941	.5934	.4990	.4980	XSI-0809-04
1/2	19/32	3/8	.5024	.4996	.5941	.5934	.4990	.4980	XSI-0809-06
1/2	19/32	1/2	.5024	.4996	.5941	.5934	.4990	.4980	XSI-0809-08
1/2	19/32	5/8	.5024	.4996	.5941	.5934	.4990	.4980	XSI-0809-10
1/2	19/32	3/4	.5024	.4996	.5941	.5934	.4990	.4980	XSI-0809-12
1/2	19/32	1	.5024	.4996	.5941	.5934	.4990	.4980	XSI-0809-16
9/16	21/32	1/2	.5649	.5620	.6566	.6559	.5615	.5605	XSI-0910-08
9/16	21/32	5/8	.5649	.5620	.6566	.6559	.5615	.5605	XSI-0910-10
9/16	21/32	3/4	.5649	.5620	.6566	.6559	.5615	.5605	XSI-0910-12
5/8	23/32	1/4	.6274	.6246	.7192	.7184	.6240	.6230	XSI-1011-04
5/8	23/32	3/8	.6274	.6246	.7192	.7184	.6240	.6230	XSI-1011-06
5/8	23/32	1/2	.6274	.6246	.7192	.7184	.6240	.6230	XSI-1011-08
5/8	23/32	5/8	.6274	.6246	.7192	.7184	.6240	.6230	XSI-1011-10
5/8	23/32	3/4	.6274	.6246	.7192	.7184	.6240	.6230	XSI-1011-12
5/8	23/32	1	.6274	.6246	.7192	.7184	.6240	.6230	XSI-1011-16
11/16	25/32	7/8	.6906	.6879	.7817	.7809	.6865	.6855	XSI-1112-14
3/4	7/8	3/8	.7532	.7499	.8755	.8747	.7491	.7479	XSI-1214-06

³⁾ After press-fit. Testing methods ► Page 57

d1	d2	b1	d1 ³⁾		Housing hole		Shaft size		Part No.
			Max.	Min.	Max.	Min.	Max.	Min.	
3/4	7/8	1/2	.7532	.7499	.8755	.8747	.7491	.7479	XSI-1214-08
3/4	7/8	3/4	.7532	.7499	.8755	.8747	.7491	.7479	XSI-1214-12
3/4	7/8	1	.7532	.7499	.8755	.8747	.7491	.7479	XSI-1214-16
7/8	1	1/2	.8782	.8749	1.0005	.9997	.8741	.8729	XSI-1416-08
7/8	1	3/4	.8782	.8749	1.0005	.9997	.8741	.8729	XSI-1416-12
7/8	1	1	.8782	.8749	1.0005	.9997	.8741	.8729	XSI-1416-16
1	1 1/8	1/2	1.0032	.9999	1.1255	1.1247	.9991	.9979	XSI-1618-08
1	1 1/8	3/4	1.0032	.9999	1.1255	1.1247	.9991	.9979	XSI-1618-12
1	1 1/8	1	1.0032	.9999	1.1255	1.1247	.9991	.9979	XSI-1618-16
1	1 1/8	1 1/2	1.0032	.9999	1.1255	1.1247	.9991	.9979	XSI-1618-24
1 1/8	1 9/32	3/4	1.1279	1.1246	1.2818	1.2808	1.1238	1.1226	XSI-1820-12
1 1/8	1 9/32	1	1.1279	1.1246	1.2818	1.2808	1.1238	1.1226	XSI-1820-16
1 1/8	1 9/32	1 1/4	1.1279	1.1246	1.2818	1.2808	1.1238	1.1226	XSI-1820-20
1 1/4	1 13/32	5/8	1.2537	1.2498	1.4068	1.4058	1.2488	1.2472	XSI-2022-10
1 1/4	1 13/32	3/4	1.2537	1.2498	1.4068	1.4058	1.2488	1.2472	XSI-2022-12
1 1/4	1 13/32	1	1.2537	1.2498	1.4068	1.4058	1.2488	1.2472	XSI-2022-16
1 1/4	1 13/32	1 1/4	1.2537	1.2498	1.4068	1.4058	1.2488	1.2472	XSI-2022-20
1 1/2	1 21/32	3/4	1.5037	1.4998	1.6568	1.6558	1.4988	1.4972	XSI-2426-12
1 1/2	1 21/32	1	1.5037	1.4998	1.6568	1.6558	1.4988	1.4972	XSI-2426-16
1 1/2	1 21/32	1 1/2	1.5037	1.4998	1.6568	1.6558	1.4988	1.4972	XSI-2426-24
1 5/8	1 25/32	1	1.6287	1.6248	1.7818	1.7808	1.6238	1.6222	XSI-2629-16
1 5/8	1 25/32	1 1/4	1.6287	1.6248	1.7818	1.7808	1.6238	1.6222	XSI-2629-20
1 5/8	1 25/32	1 1/2	1.6287	1.6248	1.7818	1.7808	1.6238	1.6222	XSI-2629-24
1 3/4	1 15/16	1	1.7536	1.7497	1.9381	1.9371	1.7487	1.7471	XSI-2831-16
1 3/4	1 15/16	2	1.7536	1.7497	1.9381	1.9371	1.7487	1.7471	XSI-2831-32
1 7/8	2 1/16	1	1.8747	1.8786	2.0633	2.0621	1.8737	1.8721	XSI-3033-16
1 7/8	2 1/16	2	1.8747	1.8786	2.0633	2.0621	1.8737	1.8721	XSI-3033-32
2	2 3/16	1	2.0040	1.9993	2.1883	2.1871	1.9981	1.9969	XSI-3235-16
2	2 3/16	1 1/2	2.0040	1.9993	2.1883	2.1871	1.9981	1.9969	XSI-3235-24
2	2 3/16	2	2.0040	1.9993	2.1883	2.1871	1.9981	1.9969	XSI-3235-32
2 1/4	2 7/16	2	2.2577	2.2531	2.4377	2.4365	2.2507	2.2489	XSI-3639-32
2 3/4	2 15/16	2	2.7570	2.7523	2.9370	2.9358	2.7500	2.7490	XSI-4447-32

³⁾ After press-fit. Testing methods ► Page 57

iglidur® Z Chapter ► Page 289

d1	d2	b1	d1 ³⁾		Housing hole		Shaft size		Part No.
			Max.	Min.	Max.	Min.	Max.	Min.	
1/8	3/16	3/16	.1266	.1247	.1878	.1873	.1243	.1236	ZSI-0203-03
3/16	1/4	1/4	.1888	.1869	.2503	.2497	.1865	.1858	ZSI-0304-04
3/16	1/4	3/8	.1888	.1869	.2503	.2497	.1865	.1858	ZSI-0304-06
1/4	5/16	3/8	.2518	.2495	.3128	.3122	.2490	.2481	ZSI-0405-06
1/4	5/16	1/2	.2518	.2495	.3128	.3122	.2490	.2481	ZSI-0405-08
5/16	3/8	1/4	.3143	.3120	.3753	.3747	.3115	.3106	ZSI-0506-04
5/16	3/8	3/8	.3143	.3120	.3753	.3747	.3115	.3106	ZSI-0506-06
5/16	3/8	1/2	.3143	.3120	.3753	.3747	.3115	.3106	ZSI-0506-08
3/8	15/32	1/4	.3768	.3745	.4691	.4684	.3740	.3731	ZSI-0607-04
3/8	15/32	3/8	.3768	.3745	.4691	.4684	.3740	.3731	ZSI-0607-06
3/8	15/32	1/2	.3768	.3745	.4691	.4684	.3740	.3731	ZSI-0607-08
3/8	15/32	5/8	.3768	.3745	.4691	.4684	.3740	.3731	ZSI-0607-10
3/8	15/32	3/4	.3768	.3745	.4691	.4684	.3740	.3731	ZSI-0607-12
7/16	17/32	1/2	.4399	.4371	.5316	.5309	.4365	.4355	ZSI-0708-08
7/16	17/32	3/4	.4399	.4371	.5316	.5309	.4365	.4355	ZSI-0708-12
1/2	19/32	1/4	.5024	.4996	.5941	.5934	.4990	.4980	ZSI-0809-04
1/2	19/32	3/8	.5024	.4996	.5941	.5934	.4990	.4980	ZSI-0809-06
1/2	19/32	1/2	.5024	.4996	.5941	.5934	.4990	.4980	ZSI-0809-08
1/2	19/32	5/8	.5024	.4996	.5941	.5934	.4990	.4980	ZSI-0809-10
1/2	19/32	3/4	.5024	.4996	.5941	.5934	.4990	.4980	ZSI-0809-12
1/2	19/32	1	.5024	.4996	.5941	.5934	.4990	.4980	ZSI-0809-16
1/2	5/8	3/4	.5034	.5006	.6260	.6250	.5000	.4990	ZSI-0810-12
9/16	21/32	1/2	.5649	.5620	.6566	.6559	.5615	.5605	ZSI-0910-08
9/16	21/32	5/8	.5649	.5620	.6566	.6559	.5615	.5605	ZSI-0910-10
9/16	21/32	3/4	.5649	.5620	.6566	.6559	.5615	.5605	ZSI-0910-12
5/8	23/32	1/2	.6274	.6246	.7192	.7184	.6240	.6230	ZSI-1011-08
5/8	23/32	3/4	.6274	.6246	.7192	.7184	.6240	.6230	ZSI-1011-12
5/8	23/32	1	.6274	.6246	.7192	.7184	.6240	.6230	ZSI-1011-16
3/4	7/8	1/2	.7532	.7499	.8755	.8747	.7491	.7479	ZSI-1214-08
3/4	7/8	3/4	.7532	.7499	.8755	.8747	.7491	.7479	ZSI-1214-12
3/4	7/8	1	.7532	.7499	.8755	.8747	.7491	.7479	ZSI-1214-16
7/8	1	1/2	.8782	.8749	1.0005	.9997	.8741	.8729	ZSI-1416-08
7/8	1	3/4	.8782	.8749	1.0005	.9997	.8741	.8729	ZSI-1416-12
7/8	1	1	.8782	.8749	1.0005	.9997	.8741	.8729	ZSI-1416-16
1	1 1/8	1/2	1.0032	.9999	1.1255	1.1247	.9991	.9979	ZSI-1618-08
1	1 1/8	3/4	1.0032	.9999	1.1255	1.1247	.9991	.9979	ZSI-1618-12
1	1 1/8	1	1.0032	.9999	1.1255	1.1247	.9991	.9979	ZSI-1618-16
1	1 1/8	1 1/2	1.0032	.9999	1.1255	1.1247	.9991	.9979	ZSI-1618-24
1 1/8	1 9/32	3/4	1.1279	1.1246	1.2818	1.2808	1.1238	1.1226	ZSI-1820-12
1 1/8	1 9/32	1	1.1279	1.1246	1.2818	1.2808	1.1238	1.1226	ZSI-1820-16
1 1/8	1 9/32	1 1/4	1.1279	1.1246	1.2818	1.2808	1.1238	1.1226	ZSI-1820-20
1 1/8	1 9/32	1 1/2	1.1279	1.1246	1.2818	1.2808	1.1238	1.1226	ZSI-1820-24
1 1/4	1 13/32	3/4	1.2537	1.2498	1.4068	1.4058	1.2488	1.2472	ZSI-2022-12
1 1/4	1 13/32	1	1.2537	1.2498	1.4068	1.4058	1.2488	1.2472	ZSI-2022-16

³⁾ After press-fit. Testing methods ► Page 57

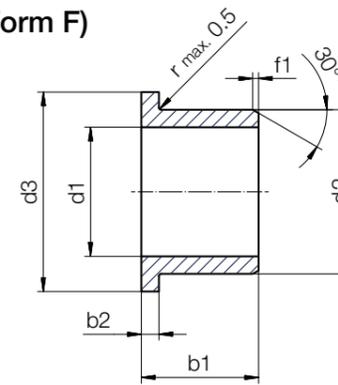
d1	d2	b1	d1 ³⁾		Housing hole		Shaft size		Part No.
			Max.	Min.	Max.	Min.	Max.	Min.	
1 1/4	1 13/32	1 1/4	1.2537	1.2498	1.4068	1.4058	1.2488	1.2472	ZSI-2022-20
1 1/2	1 21/32	1	1.5037	1.4998	1.6568	1.6558	1.4988	1.4972	ZSI-2426-16
1 1/2	1 21/32	1 1/2	1.5037	1.4998	1.6568	1.6558	1.4988	1.4972	ZSI-2426-24
1 5/8	1 25/32	1	1.6287	1.6248	1.7818	1.7808	1.6238	1.6222	ZSI-2629-16
1 5/8	1 25/32	1 1/2	1.6287	1.6248	1.7818	1.7808	1.6238	1.6222	ZSI-2629-24
1 3/4	1 15/16	1	1.7536	1.7497	1.9381	1.9371	1.7487	1.7471	ZSI-2831-16
1 3/4	1 15/16	2	1.7536	1.7497	1.9381	1.9371	1.7487	1.7471	ZSI-2831-32
1 7/8	2 1/16	1	1.8747	1.8786	2.0633	2.0621	1.8737	1.8721	ZSI-3033-16
1 7/8	2 1/16	2	1.8747	1.8786	2.0633	2.0621	1.8737	1.8721	ZSI-3033-32
2	2 3/16	1	2.0040	1.9993	2.1883	2.1871	1.9981	1.9969	ZSI-3235-16
2	2 3/16	2	2.0040	1.9993	2.1883	2.1871	1.9981	1.9969	ZSI-3235-32
2 1/4	27/16	2	2.2556	2.2519	2.4377	2.4365	2.2507	2.2489	ZSI-3639-32

³⁾ After press-fit. Testing methods ► Page 57

Flanged bearing (form F)



Image exemplary



Chamfer in relation to d1

d1 [inch]	f [inch]
Ø 0.040–0.236	0.012
Ø 0.236–0.472	0.019
Ø 0.472–1.18	0.031
Ø > 1.18	0.047

iglidur® A181 Chapter ► Page 377

d1	d2	b1	d3	b2	d1 ³⁾		Housing hole		Shaft size		Part No.
					h13	Max.	Min.	Max.	Min.	Max.	
1/8	3/16	3/16	.3120	.0320	.1269	.1251	.1878	.1873	.1243	.1236	A181FI-0203-03
3/16	1/4	1/4	.3750	.0320	.1892	.1873	.2503	.2497	.1865	.1858	A181FI-0304-04
1/4	5/16	3/8	.5000	.0320	.2521	.2498	.3128	.3122	.2490	.2481	A181FI-0405-06
1/4	5/16	1/2	.5000	.0320	.2521	.2498	.3128	.3122	.2490	.2481	A181FI-0405-08
5/16	3/8	1/4	.5620	.0320	.3148	.3125	.3753	.3747	.3115	.3106	A181FI-0506-04
5/16	3/8	3/8	.5620	.0320	.3148	.3125	.3753	.3747	.3115	.3106	A181FI-0506-06
5/16	3/8	1/2	.5620	.0320	.3148	.3125	.3753	.3747	.3115	.3106	A181FI-0506-08
3/8	15/32	1/4	.6870	.0460	.3773	.3750	.4691	.4684	.3740	.3731	A181FI-0607-04
3/8	15/32	3/8	.6870	.0460	.3773	.3750	.4691	.4684	.3740	.3731	A181FI-0607-06
3/8	15/32	1/2	.6870	.0460	.3773	.3750	.4691	.4684	.3740	.3731	A181FI-0607-08
3/8	15/32	3/4	.6870	.0460	.3773	.3750	.4691	.4684	.3740	.3731	A181FI-0607-12
7/16	17/32	1/2	.7500	.0460	.4406	.4379	.5316	.5309	.4365	.4355	A181FI-0708-08
1/2	19/32	1/4	.8750	.0460	.5030	.5003	.5941	.5934	.4990	.4980	A181FI-0809-04
1/2	19/32	3/8	.8750	.0460	.5030	.5003	.5941	.5934	.4990	.4980	A181FI-0809-06
1/2	19/32	1/2	.8750	.0460	.5030	.5003	.5941	.5934	.4990	.4980	A181FI-0809-08
1/2	19/32	3/4	.8750	.0460	.5030	.5003	.5941	.5934	.4990	.4980	A181FI-0809-12
1/2	19/32	1	.8750	.0460	.5030	.5003	.5941	.5934	.4990	.4980	A181FI-0809-16
5/8	23/32	1/2	.9370	.0460	.6280	.6253	.7192	.7184	.6240	.6230	A181FI-1011-08
5/8	23/32	3/4	.9370	.0460	.6280	.6253	.7192	.7184	.6240	.6230	A181FI-1011-12
5/8	23/32	1	.9370	.0460	.6280	.6253	.7192	.7184	.6240	.6230	A181FI-1011-16
3/4	7/8	1/2	1.1250	.0620	.7541	.7505	.8755	.8747	.7491	.7479	A181FI-1214-08
3/4	7/8	3/4	1.1250	.0620	.7541	.7505	.8755	.8747	.7491	.7479	A181FI-1214-12
3/4	7/8	1	1.1250	.0620	.7541	.7505	.8755	.8747	.7491	.7479	A181FI-1214-16
7/8	1	1/2	1.2500	.0620	.8791	.8757	1.0005	.9997	.8741	.8729	A181FI-1416-08
7/8	1	3/4	1.2500	.0620	.8791	.8757	1.0005	.9997	.8741	.8729	A181FI-1416-12
7/8	1	1	1.2500	.0620	.8791	.8757	1.0005	.9997	.8741	.8729	A181FI-1416-16
1	1 1/8	1/2	1.3750	.0620	1.0041	1.0007	1.1255	1.1247	.9991	.9979	A181FI-1618-08
1	1 1/8	3/4	1.3750	.0620	1.0041	1.0007	1.1255	1.1247	.9991	.9979	A181FI-1618-12
1	1 1/8	1	1.3750	.0620	1.0041	1.0007	1.1255	1.1247	.9991	.9979	A181FI-1618-16
1 1/4	1 13/32	1	1.6870	.0780	1.2548	1.2508	1.4068	1.4058	1.2488	1.2472	A181FI-2022-16
1 1/4	1 13/32	1 1/4	1.6870	.0780	1.2548	1.2508	1.4068	1.4058	1.2488	1.2472	A181FI-2022-20
1 1/2	1 21/32	1	2.0000	.0780	1.5048	1.5008	1.6568	1.6558	1.4988	1.4972	A181FI-2426-16
1 1/2	1 21/32	1 1/2	2.0000	.0780	1.5048	1.5008	1.6568	1.6558	1.4988	1.4972	A181FI-2426-24

³⁾ After press-fit. Testing methods ► Page 57

d1	d2	b1	d3	b2 h13	d1 ³⁾		Housing hole		Shaft size		Part No.
					Max.	Min.	Max.	Min.	Max.	Min.	
1 3/4	1 15/16	2	2.3750	.0930	1.7547	1.7507	1.9381	1.9371	1.7487	1.7471	A181FI-2831-32
2	2 3/16	2	2.6250	.0930	2.0057	2.0011	2.1883	2.1871	1.9981	1.9969	A181FI-3235-32

iglidur® A200 Chapter ► Page 409

d1	d2	b1	d3	b2 h13	d1 ³⁾		Housing hole		Shaft size		Part No.
					Max.	Min.	Max.	Min.	Max.	Min.	
1/8	1/4	1/4	.3600	.0470	.1280	.1262	.2515	.2510	.1250	.1241	AFI-0204-04
3/16	5/16	1/4	.3700	.0470	.1905	.1887	.3140	.3135	.1875	.1866	AFI-0305-04
1/4	3/8	1/4	.5600	.0470	.2539	.2516	.3765	.3760	.2500	.2491	AFI-0406-04
1/4	3/8	3/8	.5600	.0470	.2539	.2516	.3765	.3760	.2500	.2491	AFI-0406-06
5/16	7/16	1/2	.5600	.0620	.3164	.3141	.4390	.4385	.3125	.3116	AFI-0507-08
3/8	1/2	1/4	.6250	.0620	.3164	.3141	.4390	.4385	.3125	.3116	AFI-0608-04
3/8	1/2	1/2	.6250	.0620	.3789	.3766	.5015	.5010	.3750	.3741	AFI-0608-08
1/2	5/8	1/2	.8750	.0620	.5047	.5020	.6257	.6250	.5000	.4983	AFI-0810-08
1/2	5/8	3/4	.8750	.0620	.5047	.5020	.6257	.6250	.5000	.4983	AFI-0810-12
5/8	13/16	1	1.0630	.1560	.6297	.6270	.8135	.8125	.6250	.6240	AFI-1013-16
3/4	1	3/4	1.2500	.1560	.7559	.7525	1.0010	1.0000	.7500	.7490	AFI-1216-12
3/4	1	1	1.2500	.1560	.7559	.7525	1.0010	1.0000	.7500	.7490	AFI-1216-16
7/8	1 1/8	1 1/2	1.3750	.1560	.8809	.8775	1.1260	1.1250	.8750	.8740	AFI-1418-24
1	1 9/32	1	1.5000	.1880	1.0059	1.0025	1.2510	1.2500	1.0000	.9990	AFI-1620-16
1	1 9/32	1 1/2	1.5000	.1880	1.0059	1.0025	1.2510	1.2500	1.0000	.9990	AFI-1620-24
1 1/4	1 17/32	1	1.7500	.2000	1.2600	1.2531	1.5005	1.4995	1.2500	1.2490	AFI-2024-16
1 1/4	1 17/32	1 1/2	1.7500	.2000	1.2600	1.2531	1.5005	1.4995	1.2500	1.2490	AFI-2024-24
1 1/2	1 3/4	1	2.0000	.1250	1.5100	1.5032	1.7505	1.7495	1.5000	1.4990	AFI-2428-16
1 1/2	1 3/4	1 1/2	2.0000	.1250	1.5100	1.5032	1.7505	1.7495	1.5000	1.4990	AFI-2428-24
1 3/4	2	1	2.2500	.1250	1.7560	1.7532	2.0005	1.9995	1.7500	1.7490	AFI-2832-16

iglidur® A350 Chapter ► Page 385

d1	d2	b1	d3	b2 h13	d1 ³⁾		Housing hole		Shaft size		Part No.
					Max.	Min.	Max.	Min.	Max.	Min.	
1/8	3/16	3/16	.3120	.0320	.1266	.1247	.1878	.1873	.1243	.1236	A350FI-0203-03
3/16	1/4	1/4	.3750	.0320	.1888	.1869	.2503	.2497	.1865	.1858	A350FI-0304-04
1/4	5/16	3/8	.5000	.0320	.2518	.2495	.3128	.3122	.2490	.2481	A350FI-0405-06
1/4	5/16	1/2	.5000	.0320	.2518	.2495	.3128	.3122	.2490	.2481	A350FI-0405-08
5/16	3/8	1/4	.5620	.0320	.3143	.3120	.3753	.3747	.3115	.3106	A350FI-0506-04
5/16	3/8	3/8	.5620	.0320	.3143	.3120	.3753	.3747	.3115	.3106	A350FI-0506-06
5/16	3/8	1/2	.5620	.0320	.3143	.3120	.3753	.3747	.3115	.3106	A350FI-0506-08
3/8	15/32	1/4	.6870	.0460	.3768	.3745	.4691	.4684	.3740	.3731	A350FI-0607-04
3/8	15/32	3/8	.6870	.0460	.3768	.3745	.4691	.4684	.3740	.3731	A350FI-0607-06
3/8	15/32	1/2	.6870	.0460	.3768	.3745	.4691	.4684	.3740	.3731	A350FI-0607-08
3/8	15/32	3/4	.6870	.0460	.3768	.3745	.4691	.4684	.3740	.3731	A350FI-0607-12
7/16	17/32	1/2	.7500	.0460	.4399	.4371	.5316	.5309	.4365	.4355	A350FI-0708-08
1/2	19/32	1/4	.8750	.0460	.5024	.4996	.5941	.5934	.4990	.4980	A350FI-0809-04
1/2	19/32	3/8	.8750	.0460	.5024	.4996	.5941	.5934	.4990	.4980	A350FI-0809-06
1/2	19/32	1/2	.8750	.0460	.5024	.4996	.5941	.5934	.4990	.4980	A350FI-0809-08
1/2	19/32	3/4	.8750	.0460	.5024	.4996	.5941	.5934	.4990	.4980	A350FI-0809-12
1/2	19/32	1	.8750	.0460	.5024	.4996	.5941	.5934	.4990	.4980	A350FI-0809-16
5/8	23/32	1/2	.9370	.0460	.6274	.6246	.7192	.7184	.6240	.6230	A350FI-1011-08
5/8	23/32	3/4	.9370	.0460	.6274	.6246	.7192	.7184	.6240	.6230	A350FI-1011-12
5/8	23/32	1	.9370	.0460	.6274	.6246	.7192	.7184	.6240	.6230	A350FI-1011-16

³⁾ After press-fit. Testing methods ► Page 57

d1	d2	b1	d3	b2 h13	d1 ³⁾		Housing hole		Shaft size		Part No.
					Max.	Min.	Max.	Min.	Max.	Min.	
1/2	19/32	1/2	.8750	.0460	.5024	.4996	.5941	.5934	.4990	.4980	A350FI-0809-08
1/2	19/32	3/4	.8750	.0460	.5024	.4996	.5941	.5934	.4990	.4980	A350FI-0809-12
1/2	19/32	1	.8750	.0460	.5024	.4996	.5941	.5934	.4990	.4980	A350FI-0809-16
5/8	23/32	1/2	.9370	.0460	.6274	.6246	.7192	.7184	.6240	.6230	A350FI-1011-08
5/8	23/32	3/4	.9370	.0460	.6274	.6246	.7192	.7184	.6240	.6230	A350FI-1011-12
5/8	23/32	1	.9370	.0460	.6274	.6246	.7192	.7184	.6240	.6230	A350FI-1011-16
3/4	7/8	1/2	1.1250	.0620	.7532	.7499	.8755	.8747	.7491	.7479	A350FI-1214-08
3/4	7/8	3/4	1.1250	.0620	.7532	.7499	.8755	.8747	.7491	.7479	A350FI-1214-12
3/4	7/8	1	1.1250	.0620	.7532	.7499	.8755	.8747	.7491	.7479	A350FI-1214-16
7/8	1	1/2	1.2500	.0620	.8782	.8749	1.0005	.9997	.8741	.8729	A350FI-1416-08
7/8	1	3/4	1.2500	.0620	.8782	.8749	1.0005	.9997	.8741	.8729	A350FI-1416-12
7/8	1	1	1.2500	.0620	.8782	.8749	1.0005	.9997	.8741	.8729	A350FI-1416-16
1	1 1/8	1/2	1.3750	.0620	1.0032	.9999	1.1255	1.1247	.9991	.9979	A350FI-1618-08
1	1 1/8	3/4	1.3750	.0620	1.0032	.9999	1.1255	1.1247	.9991	.9979	A350FI-1618-12
1	1 1/8	1	1.3750	.0620	1.0032	.9999	1.1255	1.1247	.9991	.9979	A350FI-1618-16
1 1/4	1 13/32	1	1.6870	.0780	1.2537	1.2498	1.4068	1.4058	1.2488	1.2472	A350FI-2022-16
1 1/4	1 13/32	1 1/4	1.6870	.0780	1.2537	1.2498	1.4068	1.4058	1.2488	1.2472	A350FI-2022-20
1 1/2	1 21/32	1	2.0000	.0780	1.5037	1.4998	1.6568	1.6558	1.4988	1.4972	A350FI-2426-16
1 1/2	1 21/32	1 1/2	2.0000	.0780	1.5037	1.4998	1.6568	1.6558	1.4988	1.4972	A350FI-2426-24
1 3/4	1 15/16	2	2.3750	.0930	1.7536	1.7497	1.9381	1.9371	1.7487	1.7471	A350FI-2831-32
2	2 3/16	2	2.6250	.0930	2.0040	1.9993	2.1883	2.1871	1.9981	1.9969	A350FI-3235-32

iglidur® A500 Chapter ► Page 393

d1	d2	b1	d3	b2 h13	d1 ³⁾		Housing hole		Shaft size		Part No.
					Max.	Min.	Max.	Min.	Max.	Min.	
1/8	3/16	3/16	.3120	.0320	.1266	.1247	.1878	.1873	.1243	.1236	A500FI-0203-03
3/16	1/4	1/4	.3750	.0320	.1888	.1869	.2503	.2497	.1865	.1858	A500FI-0304-04
1/4	5/16	3/8	.5000	.0320	.2518	.2495	.3128	.3122	.2490	.2481	A500FI-0405-06
1/4	5/16	1/2	.5000	.0320	.2518	.2495	.3128	.3122	.2490	.2481	A500FI-0405-08
5/16	3/8	1/4	.5620	.0320	.3143	.3120	.3753	.3747	.3115	.3106	A500FI-0506-04
5/16	3/8	3/8	.5620	.0320	.3143	.3120	.3753	.3747	.3115	.3106	A500FI-0506-06
5/16	3/8	1/2	.5620	.0320	.3143	.3120	.3753	.3747	.3115	.3106	A500FI-0506-08
3/8	15/32	1/4	.6870	.0460	.3768	.3745	.4691	.4684	.3740	.3731	A500FI-0607-04
3/8	15/32	3/8	.6870	.0460	.3768	.3745	.4691	.4684	.3740	.3731	A500FI-0607-06
3/8	15/32	1/2	.6870	.0460	.3768	.3745	.4691	.4684	.3740	.3731	A500FI-0607-08
3/8	15/32	3/4	.6870	.0460	.3768	.3745	.4691	.4684	.3740	.3731	A500FI-0607-12
7/16	17/32	1/2	.7500	.0460	.4399	.4371	.5316	.5309	.4365	.4355	A500FI-0708-08
1/2	19/32	1/4	.8750	.0460	.5024	.4996	.5941	.5934	.4990	.4980	A500FI-0809-04
1/2	19/32	3/8	.8750	.0460	.5024	.4996	.5941	.5934	.4990	.4980	A500FI-0809-06
1/2	19/32	1/2	.8750	.0460	.5024	.4996	.5941	.5934	.4990	.4980	A500FI-0809-08
1/2	19/32	3/4	.8750	.0460	.5024	.4996	.5941	.5934	.4990	.4980	A500FI-0809-12
1/2	19/32	1	.8750	.0460	.5024	.4996	.5941	.5934	.4990	.4980	A500FI-0809-16
5/8	23/32	1/2	.9370	.0460	.6274	.6246	.7192	.7184	.6240	.6230	A500FI-1011-08
5/8	23/32	3/4	.9370	.0460	.6274	.6246	.7192	.7184	.6240	.6230	A500FI-1011-12
5/8	23/32	1	.9370	.0460	.6274	.6246	.7192	.7184	.6240	.6230	A500FI-1011-16

³⁾ After press-fit. Testing methods ► Page 57

d1	d2	b1	d3	b2	d1 ³⁾		Housing hole		Shaft size		Part No.
					h13	Max.	Min.	Max.	Min.	Max.	
3/4	7/8	1/2	1.1250	.0620	.7532	.7499	.8755	.8747	.7491	.7479	A500FI-1214-08
3/4	7/8	3/4	1.1250	.0620	.7532	.7499	.8755	.8747	.7491	.7479	A500FI-1214-12
3/4	7/8	1	1.1250	.0620	.7532	.7499	.8755	.8747	.7491	.7479	A500FI-1214-16
7/8	1	1/2	1.2500	.0620	.8782	.8749	1.0005	.9997	.8741	.8729	A500FI-1416-08
7/8	1	3/4	1.2500	.0620	.8782	.8749	1.0005	.9997	.8741	.8729	A500FI-1416-12
7/8	1	1	1.2500	.0620	.8782	.8749	1.0005	.9997	.8741	.8729	A500FI-1416-16
1	1 1/8	1/2	1.3750	.0620	1.0032	.9999	1.1255	1.1247	.9991	.9979	A500FI-1618-08
1	1 1/8	3/4	1.3750	.0620	1.0032	.9999	1.1255	1.1247	.9991	.9979	A500FI-1618-12
1	1 1/8	1	1.3750	.0620	1.0032	.9999	1.1255	1.1247	.9991	.9979	A500FI-1618-16
1 1/4	1 13/32	1	1.6870	.0780	1.2537	1.2498	1.4068	1.4058	1.2488	1.2472	A500FI-2022-16
1 1/4	1 13/32	1 1/4	1.6870	.0780	1.2537	1.2498	1.4068	1.4058	1.2488	1.2472	A500FI-2022-20
1 1/2	1 21/32	1	2.0000	.0780	1.5037	1.4998	1.6568	1.6558	1.4988	1.4972	A500FI-2426-16
1 1/2	1 21/32	1 1/2	2.0000	.0780	1.5037	1.4998	1.6568	1.6558	1.4988	1.4972	A500FI-2426-24
1 3/4	1 15/16	2	2.3750	.0930	1.7536	1.7497	1.9381	1.9371	1.7487	1.7471	A500FI-2831-32
2	2 3/16	2	2.6250	.0930	2.0040	1.9993	2.1883	2.1871	1.9981	1.9969	A500FI-3235-32

iglidur® G Chapter ▶ Page 81

d1	d2	b1	d3	b2	d1 ³⁾		Housing hole		Shaft size		Part No.
					h13	Max.	Min.	Max.	Min.	Max.	
1/8	3/16	1/8	.3120	.0320	.1269	.1251	.1878	.1873	.1243	.1236	GFI-0203-02
1/8	3/16	3/16	.3120	.0320	.1269	.1251	.1878	.1873	.1243	.1236	GFI-0203-03
1/8	3/16	1/4	.3120	.0320	.1269	.1251	.1878	.1873	.1243	.1236	GFI-0203-04
1/8	3/16	3/8	.3120	.0320	.1269	.1251	.1878	.1873	.1243	.1236	GFI-0203-06
3/16	1/4	1/4	.3750	.0320	.1892	.1873	.2503	.2497	.1865	.1858	GFI-0304-04
3/16	1/4	3/8	.3750	.0320	.1892	.1873	.2503	.2497	.1865	.1858	GFI-0304-06
3/16	1/4	1/2	.3750	.0320	.1892	.1873	.2503	.2497	.1865	.1858	GFI-0304-08
1/4	5/16	1/4	.5000	.0320	.2521	.2498	.3128	.3122	.2490	.2481	GFI-0405-04
1/4	5/16	5/16	.5000	.0320	.2521	.2498	.3128	.3122	.2490	.2481	GFI-0405-05
1/4	5/16	3/8	.5000	.0320	.2521	.2498	.3128	.3122	.2490	.2481	GFI-0405-06
1/4	5/16	1/2	.5000	.0320	.2521	.2498	.3128	.3122	.2490	.2481	GFI-0405-08
1/4	5/16	3/4	.5000	.0320	.2521	.2498	.3128	.3122	.2490	.2481	GFI-0405-12
5/16	3/8	1/4	.5620	.0320	.3148	.3125	.3753	.3747	.3115	.3106	GFI-0506-04
5/16	3/8	3/8	.5620	.0320	.3148	.3125	.3753	.3747	.3115	.3106	GFI-0506-06
5/16	3/8	1/2	.5620	.0320	.3148	.3125	.3753	.3747	.3115	.3106	GFI-0506-08
5/16	3/8	3/4	.5620	.0320	.3148	.3125	.3753	.3747	.3115	.3106	GFI-0506-12
3/8	15/32	1/4	.6870	.0460	.3773	.3750	.4691	.4684	.3740	.3731	GFI-0607-04
3/8	15/32	5/16	.6870	.0460	.3773	.3750	.4691	.4684	.3740	.3731	GFI-0607-05
3/8	15/32	3/8	.6870	.0460	.3773	.3750	.4691	.4684	.3740	.3731	GFI-0607-06
3/8	15/32	1/2	.6870	.0460	.3773	.3750	.4691	.4684	.3740	.3731	GFI-0607-08
3/8	15/32	3/4	.6870	.0460	.3773	.3750	.4691	.4684	.3740	.3731	GFI-0607-12
3/8	15/32	7/8	.6870	.0460	.3773	.3750	.4691	.4684	.3740	.3731	GFI-0607-14
7/16	17/32	1/4	.7500	.0460	.4406	.4379	.5316	.5309	.4365	.4355	GFI-0708-04
7/16	17/32	1/2	.7500	.0460	.4406	.4379	.5316	.5309	.4365	.4355	GFI-0708-08
1/2	19/32	1/4	.8750	.0460	.5030	.5003	.5941	.5934	.4990	.4980	GFI-0809-04
1/2	19/32	5/16	.8750	.0460	.5030	.5003	.5941	.5934	.4990	.4980	GFI-0809-05

³⁾ After press-fit. Testing methods ▶ Page 57

d1	d2	b1	d3	b2	d1 ³⁾		Housing hole		Shaft size		Part No.
					h13	Max.	Min.	Max.	Min.	Max.	
1/2	19/32	3/8	.8750	.0460	.5030	.5003	.5941	.5934	.4990	.4980	GFI-0809-06
1/2	19/32	1/2	.8750	.0460	.5030	.5003	.5941	.5934	.4990	.4980	GFI-0809-08
1/2	19/32	3/4	.8750	.0460	.5030	.5003	.5941	.5934	.4990	.4980	GFI-0809-12
1/2	19/32	1	.8750	.0460	.5030	.5003	.5941	.5934	.4990	.4980	GFI-0809-16
5/8	23/32	3/8	.9370	.0460	.6280	.6253	.7192	.7184	.6240	.6230	GFI-1011-06
5/8	23/32	1/2	.9370	.0460	.6280	.6253	.7192	.7184	.6240	.6230	GFI-1011-08
5/8	23/32	3/4	.9370	.0460	.6280	.6253	.7192	.7184	.6240	.6230	GFI-1011-12
5/8	23/32	7/8	.9370	.0460	.6280	.6253	.7192	.7184	.6240	.6230	GFI-1011-14
5/8	23/32	1	.9370	.0460	.6280	.6253	.7192	.7184	.6240	.6230	GFI-1011-16
5/8	23/32	1 1/2	.9370	.0460	.6280	.6253	.7192	.7184	.6240	.6230	GFI-1011-24
3/4	7/8	1/8	1.1250	.0620	.7541	.7505	.8755	.8747	.7491	.7479	GFI-1214-02
3/4	7/8	3/8	1.1250	.0620	.7541	.7505	.8755	.8747	.7491	.7479	GFI-1214-06
3/4	7/8	1/2	1.1250	.0620	.7541	.7505	.8755	.8747	.7491	.7479	GFI-1214-08
3/4	7/8	5/8	1.1250	.0620	.7541	.7505	.8755	.8747	.7491	.7479	GFI-1214-10
3/4	7/8	3/4	1.1250	.0620	.7541	.7505	.8755	.8747	.7491	.7479	GFI-1214-12
3/4	7/8	1	1.1250	.0620	.7541	.7505	.8755	.8747	.7491	.7479	GFI-1214-16
3/4	7/8	1 1/2	1.1250	.0620	.7541	.7505	.8755	.8747	.7491	.7479	GFI-1214-24
7/8	1	1/2	1.2500	.0620	.8791	.8757	1.0005	.9997	.8741	.8729	GFI-1416-08
7/8	1	3/4	1.2500	.0620	.8791	.8757	1.0005	.9997	.8741	.8729	GFI-1416-12
7/8	1	1	1.2500	.0620	.8791	.8757	1.0005	.9997	.8741	.8729	GFI-1416-16
7/8	1	1 1/4	1.2500	.0620	.8791	.8757	1.0005	.9997	.8741	.8729	GFI-1416-20
7/8	1	1 1/2	1.2500	.0620	.8791	.8757	1.0005	.9997	.8741	.8729	GFI-1416-24
1	1 1/8	1/2	1.3750	.0620	1.0041	1.0007	1.1255	1.1247	.9991	.9979	GFI-1618-08
1	1 1/8	3/4	1.3750	.0620	1.0041	1.0007	1.1255	1.1247	.9991	.9979	GFI-1618-12
1	1 1/8	1	1.3750	.0620	1.0041	1.0007	1.1255	1.1247	.9991	.9979	GFI-1618-16
1	1 1/8	1 1/4	1.3750	.0620	1.0041	1.0007	1.1255	1.1247	.9991	.9979	GFI-1618-20
1	1 1/8	1 1/2	1.3750	.0620	1.0041	1.0007	1.1255	1.1247	.9991	.9979	GFI-1618-24
1 1/8	1 9/32	3/4	1.5620	.0780	1.1288	1.1254	1.2818	1.2808	1.1238	1.1226	GFI-1820-12
1 1/8	1 9/32	1 1/2	1.5620	.0780	1.1288	1.1254	1.2818	1.2808	1.1238	1.1226	GFI-1820-24
1 1/4	1 13/32	3/8	1.6870	.0780	1.2548	1.2508	1.4068	1.4058	1.2488	1.2472	GFI-2022-06
1 1/4	1 13/32	3/4	1.6870	.0780	1.2548	1.2508	1.4068	1.4058	1.2488	1.2472	GFI-2022-12
1 1/4	1 13/32	7/8	1.6870	.0780	1.2548	1.2508	1.4068	1.4058	1.2488	1.2472	GFI-2022-14
1 1/4	1 13/32	1	1.6870	.0780	1.2548	1.2508	1.4068	1.4058	1.2488	1.2472	GFI-2022-16
1 1/4	1 13/32	1 1/4	1.6870	.0780	1.2548	1.2508	1.4068	1.4058	1.2488	1.2472	GFI-2022-20
1 1/4	1 13/32	1 1/2	1.6870	.0780	1.2548	1.2508	1.4068	1.4058	1.2488	1.2472	GFI-2022-24
1 3/8	1 17/32	1	1.8750	.0780	1.3798	1.3758	1.5318	1.5308	1.3738	1.3722	GFI-2224-16
1 1/2	1 21/32	3/4	2.0000	.0780	1.5048	1.5008	1.6568	1.6558	1.4988	1.4972	GFI-2426-12
1 1/2	1 21/32	1	2.0000	.0780	1.5048	1.5008	1.6568	1.6558	1.4988	1.4972	GFI-2426-16
1 1/2	1 21/32	1 1/2	2.0000	.0780	1.5048	1.5008	1.6568	1.6558	1.4988	1.4972	GFI-2426-24
1 3/4	1 15/16	1	2.3750	.0930	1.7547	1.7505	1.9381	1.9371	1.7487	1.7471	GFI-2831-16
1 3/4	1 15/16	1 1/2	2.3750	.0930	1.7547	1.7505	1.9381	1.9371	1.7487	1.7471	GFI-2831-24
1 3/4	1 15/16	2	2.3750	.0930	1.7547	1.7505	1.9381	1.9371	1.7487	1.7471	GFI-2831-32
2	2 3/16	1	2.6250	.0930	2.0057	2.0011	2.1883	2.1871	1.9981	1.9969	GFI-3235-16
2	2 3/16	1 1/2	2.6250	.0930	2.0057	2.0011	2.1883	2.1871	1.9981	1.9969	GFI-3235-24
2	2 3/16	2	2.6250	.0930	2.0057	2.0011	2.1883	2.1871	1.9981	1.9969	GFI-3235-32
2 1/4	2 7/16	2	2.7500	.0930	2.2577	2.2531	2.4377	2.4365	2.2507	2.2489	GFI-3639-32

³⁾ After press-fit. Testing methods ▶ Page 57

d1	d2	b1	d3	b2	d1 ³⁾		Housing hole		Shaft size		Part No.
					Max.	Min.	Max.	Min.	Max.	Min.	
2 1/2	2 11/16	2	3.1250	.0930	2.5082	2.5035	2.6881	2.6869	2.5000	2.4999	GFI-4043-32
2 3/4	2 15/16	2	3.3750	.0930	2.7570	2.7523	2.9370	2.9358	2.7500	2.7490	GFI-4447-32

iglidur® H1 Chapter ▶ Page 333

d1	d2	b1	d3	b2	d1 ³⁾		Housing hole		Shaft size		Part No.
					h13	h13	Max.	Min.	Max.	Min.	
1/8	3/16	3/16	.3120	.0320	.1266	.1247	.1878	.1873	.1243	.1236	H1FI-0203-03
3/16	1/4	1/4	.3750	.0320	.1888	.1869	.2503	.2497	.1865	.1858	H1FI-0304-04
1/4	5/16	3/8	.5000	.0320	.2518	.2495	.3128	.3122	.2490	.2481	H1FI-0405-06
1/4	5/16	1/2	.5000	.0320	.2518	.2495	.3128	.3122	.2490	.2481	H1FI-0405-08
5/16	3/8	1/4	.5620	.0320	.3143	.3120	.3753	.3747	.3115	.3106	H1FI-0506-04
5/16	3/8	3/8	.5620	.0320	.3143	.3120	.3753	.3747	.3115	.3106	H1FI-0506-06
5/16	3/8	1/2	.5620	.0320	.3143	.3120	.3753	.3747	.3115	.3106	H1FI-0506-08
3/8	15/32	1/4	.6870	.0460	.3768	.3745	.4691	.4684	.3740	.3731	H1FI-0607-04
3/8	15/32	3/8	.6870	.0460	.3768	.3745	.4691	.4684	.3740	.3731	H1FI-0607-06
3/8	15/32	1/2	.6870	.0460	.3768	.3745	.4691	.4684	.3740	.3731	H1FI-0607-08
3/8	15/32	3/4	.6870	.0460	.3768	.3745	.4691	.4684	.3740	.3731	H1FI-0607-12
7/16	17/32	1/2	.7500	.0460	.4399	.4371	.5316	.5309	.4365	.4355	H1FI-0708-08
1/2	19/32	1/4	.8750	.0460	.5024	.4996	.5941	.5934	.4990	.4980	H1FI-0809-04
1/2	19/32	3/8	.8750	.0460	.5024	.4996	.5941	.5934	.4990	.4980	H1FI-0809-06
1/2	19/32	1/2	.8750	.0460	.5024	.4996	.5941	.5934	.4990	.4980	H1FI-0809-08
1/2	19/32	3/4	.8750	.0460	.5024	.4996	.5941	.5934	.4990	.4980	H1FI-0809-12
1/2	19/32	1	.8750	.0460	.5024	.4996	.5941	.5934	.4990	.4980	H1FI-0809-16
5/8	23/32	1/2	.9370	.0460	.6274	.6246	.7192	.7184	.6240	.6230	H1FI-1011-08
5/8	23/32	3/4	.9370	.0460	.6274	.6246	.7192	.7184	.6240	.6230	H1FI-1011-12
5/8	23/32	1	.9370	.0460	.6274	.6246	.7192	.7184	.6240	.6230	H1FI-1011-16
3/4	7/8	1/2	1.1250	.0620	.7532	.7499	.8755	.8747	.7491	.7479	H1FI-1214-08
3/4	7/8	3/4	1.1250	.0620	.7532	.7499	.8755	.8747	.7491	.7479	H1FI-1214-12
3/4	7/8	1	1.1250	.0620	.7532	.7499	.8755	.8747	.7491	.7479	H1FI-1214-16
7/8	1	1/2	1.2500	.0620	.8782	.8749	1.0005	.9997	.8741	.8729	H1FI-1416-08
7/8	1	3/4	1.2500	.0620	.8782	.8749	1.0005	.9997	.8741	.8729	H1FI-1416-12
7/8	1	1	1.2500	.0620	.8782	.8749	1.0005	.9997	.8741	.8729	H1FI-1416-16
1	1 1/8	1/2	1.3750	.0620	1.0032	.9999	1.1255	1.1247	.9991	.9979	H1FI-1618-08
1	1 1/8	3/4	1.3750	.0620	1.0032	.9999	1.1255	1.1247	.9991	.9979	H1FI-1618-12
1	1 1/8	1	1.3750	.0620	1.0032	.9999	1.1255	1.1247	.9991	.9979	H1FI-1618-16
1 1/4	1 13/32	1	1.6870	.0780	1.2537	1.2498	1.4068	1.4058	1.2488	1.2472	H1FI-2022-16
1 1/4	1 13/32	1 1/4	1.6870	.0780	1.2537	1.2498	1.4068	1.4058	1.2488	1.2472	H1FI-2022-20
1 1/2	1 21/32	1	2.0000	.0780	1.5037	1.4998	1.6568	1.6558	1.4988	1.4972	H1FI-2426-16
1 1/2	1 21/32	1 1/2	2.0000	.0780	1.5037	1.4998	1.6568	1.6558	1.4988	1.4972	H1FI-2426-24
1 3/4	1 15/16	2	2.3750	.0930	1.7536	1.7497	1.9381	1.9371	1.7487	1.7471	H1FI-2831-32
2	2 3/16	2	2.6250	.0930	2.0040	1.9993	2.1883	2.1871	1.9981	1.9969	H1FI-3235-32

³⁾ After press-fit. Testing methods ▶ Page 57

iglidur® H370 Chapter ▶ Page 341

d1	d2	b1	d3	b2	d1 ³⁾		Housing hole		Shaft size		Part No.
					h13	h13	Max.	Min.	Max.	Min.	
1/8	3/16	3/16	.3120	.0320	.1266	.1247	.1878	.1873	.1243	.1236	H370FI-0203-03
3/16	1/4	1/4	.3750	.0320	.1888	.1869	.2503	.2497	.1865	.1858	H370FI-0304-04
1/4	5/16	1/4	.5000	.0320	.2518	.2495	.3128	.3122	.2490	.2481	H370FI-0405-04
1/4	5/16	3/8	.5000	.0320	.2518	.2495	.3128	.3122	.2490	.2481	H370FI-0405-06
1/4	5/16	1/2	.5000	.0320	.2518	.2495	.3128	.3122	.2490	.2481	H370FI-0405-08
5/16	3/8	1/4	.5620	.0320	.3143	.3120	.3753	.3747	.3115	.3106	H370FI-0506-04
5/16	3/8	3/8	.5620	.0320	.3143	.3120	.3753	.3747	.3115	.3106	H370FI-0506-06
5/16	3/8	1/2	.5620	.0320	.3143	.3120	.3753	.3747	.3115	.3106	H370FI-0506-08
3/8	15/32	1/4	.6870	.0460	.3768	.3745	.4691	.4684	.3740	.3731	H370FI-0607-04
3/8	15/32	3/8	.6870	.0460	.3768	.3745	.4691	.4684	.3740	.3731	H370FI-0607-06
3/8	15/32	1/2	.6870	.0460	.3768	.3745	.4691	.4684	.3740	.3731	H370FI-0607-08
3/8	15/32	3/4	.6870	.0460	.3768	.3745	.4691	.4684	.3740	.3731	H370FI-0607-12
7/16	17/32	1/2	.7500	.0460	.4399	.4371	.5316	.5309	.4365	.4355	H370FI-0708-08
1/2	19/32	1/4	.8750	.0460	.5024	.4996	.5941	.5934	.4990	.4980	H370FI-0809-04
1/2	19/32	3/8	.8750	.0460	.5024	.4996	.5941	.5934	.4990	.4980	H370FI-0809-06
1/2	19/32	1/2	.8750	.0460	.5024	.4996	.5941	.5934	.4990	.4980	H370FI-0809-08
1/2	19/32	3/4	.8750	.0460	.5024	.4996	.5941	.5934	.4990	.4980	H370FI-0809-12
1/2	19/32	1	.8750	.0460	.5024	.4996	.5941	.5934	.4990	.4980	H370FI-0809-16
5/8	23/32	1/2	.9370	.0460	.6274	.6246	.7192	.7184	.6240	.6230	H370FI-1011-08
5/8	23/32	3/4	.9370	.0460	.6274	.6246	.7192	.7184	.6240	.6230	H370FI-1011-12
5/8	23/32	1	.9370	.0460	.6274	.6246	.7192	.7184	.6240	.6230	H370FI-1011-16
3/4	7/8	1/2	1.1250	.0620	.7532	.7499	.8755	.8747	.7491	.7479	H370FI-1214-08
3/4	7/8	3/4	1.1250	.0620	.7532	.7499	.8755	.8747	.7491	.7479	H370FI-1214-12
3/4	7/8	1	1.1250	.0620	.7532	.7499	.8755	.8747	.7491	.7479	H370FI-1214-16
7/8	1	1/2	1.2500	.0620	.8782	.8749	1.0005	.9997	.8741	.8729	H370FI-1416-08
7/8	1	3/4	1.2500	.0620	.8782	.8749	1.0005	.9997	.8741	.8729	H370FI-1416-12
7/8	1	1	1.2500	.0620	.8782	.8749	1.0005	.9997	.8741	.8729	H370FI-1416-16
1	1 1/8	1/2	1.3750	.0620	1.0032	.9999	1.1255	1.1247	.9991	.9979	H370FI-1618-08
1	1 1/8	3/4	1.3750	.0620	1.0032	.9999	1.1255	1.1247	.9991	.9979	H370FI-1618-12
1	1 1/8	1	1.3750	.0620	1.0032	.9999	1.1255	1.1247	.9991	.9979	H370FI-1618-16
1 1/4	1 13/32	1	1.6870	.0780	1.2537	1.2498	1.4068	1.4058	1.2488	1.2472	H370FI-2022-16
1 1/4	1 13/32	1 1/4	1.6870	.0780	1.2537	1.2498	1.4068	1.4058	1.2488	1.2472	H370FI-2022-20
1 1/2	1 21/32	1	2.0000	.0780	1.5037	1.4998	1.6568	1.6558	1.4988	1.4972	H370FI-2426-16
1 1/2	1 21/32	1 1/2	2.0000	.0780	1.5037	1.4998	1.6568	1.6558	1.4988	1.4972	H370FI-2426-24
1 3/4	1 15/16	2	2.3750	.0930	1.7536	1.7497	1.9381	1.9371	1.7487	1.7471	H370FI-2831-32
2	2 3/16	2	2.6250	.0930	2.0040	1.9993	2.1883	2.1871	1.9981	1.9969	H370FI-3235-32

³⁾ After press-fit. Testing methods ▶ Page 57

d1	d2	b1	d3	b2	d1 ³⁾		Housing hole		Shaft size		Part No.
					h13	Max.	Min.	Max.	Min.	Max.	
1/8	3/16	3/16	.3120	.0320	.1269	.1251	.1878	.1873	.1243	.1236	JFI-0203-03
1/8	1/4	3/8	.3600	.0470	.1280	.1262	.2515	.2510	.1250	.1241	JFI-0204-06
3/16	1/4	1/8	.3750	.0320	.1905	.1887	.2515	.2510	.1875	.1866	JFI-0304-02
3/16	1/4	1/4	.3750	.0320	.1892	.1873	.2503	.2497	.1865	.1858	JFI-0304-04
3/16	1/4	3/8	.3750	.0320	.1892	.1873	.2503	.2497	.1865	.1858	JFI-0304-06
3/16	1/4	1/2	.3750	.0320	.1892	.1873	.2503	.2497	.1865	.1858	JFI-0304-08
3/16	5/16	3/8	.3700	.0470	.1905	.1887	.3140	.3135	.1875	.1866	JFI-0305-06
3/16	5/16	1/2	.3700	.0470	.1905	.1887	.3140	.3135	.1875	.1866	JFI-0305-08
1/4	5/16	1/4	.4370	.0320	.2521	.2498	.3140	.3135	.2490	.2481	JFI-0405-04
1/4	5/16	1/2	.5000	.0320	.2521	.2498	.3128	.3122	.2490	.2481	JFI-0405-06
1/4	5/16	3/8	.4370	.0320	.2521	.2498	.3128	.3122	.2490	.2481	JFI-0405-08
1/4	5/16	3/4	.4370	.0320	.2521	.2498	.3128	.3122	.2490	.2481	JFI-0405-12
1/4	3/8	3/16	.5600	.0470	.2539	.2516	.3765	.3760	.2500	.2491	JFI-0406-03
1/4	3/8	1/4	.5600	.0470	.2539	.2516	.3765	.3760	.2500	.2491	JFI-0406-04
1/4	3/8	1/2	.5600	.0470	.2539	.2516	.3765	.3760	.2500	.2491	JFI-0406-08
5/16	3/8	1/4	.5000	.0320	.3148	.3125	.3753	.3747	.3115	.3106	JFI-0506-04
5/16	3/8	3/8	.5000	.0320	.3148	.3125	.3753	.3747	.3115	.3106	JFI-0506-06
5/16	3/8	1/2	.5000	.0320	.3148	.3125	.3753	.3747	.3115	.3106	JFI-0506-08
5/16	7/16	1/2	.5600	.0620	.3164	.3141	.4390	.4385	.3125	.3116	JFI-0507-08
3/8	15/32	1/4	.6870	.0460	.3773	.3750	.4691	.4684	.3740	.3731	JFI-0607-04
3/8	15/32	3/8	.6870	.0460	.3773	.3750	.4691	.4684	.3740	.3731	JFI-0607-06
3/8	15/32	1/2	.6870	.0460	.3773	.3750	.4691	.4684	.3740	.3731	JFI-0607-08
3/8	15/32	3/4	.6870	.0460	.3773	.3750	.4691	.4684	.3740	.3731	JFI-0607-12
3/8	1/2	3/16	.6250	.0620	.3789	.3766	.5015	.5010	.3750	.3741	JFI-0608-03
3/8	1/2	3/8	.6250	.0620	.3789	.3766	.5015	.5010	.3750	.3741	JFI-0608-06
3/8	1/2	1/2	.6250	.0620	.3789	.3766	.5015	.5010	.3750	.3741	JFI-0608-08
7/16	17/32	1/2	.7500	.0460	.4406	.4379	.5316	.5309	.4365	.4355	JFI-0708-08
1/2	19/32	1/4	.8750	.0460	.5030	.5003	.5941	.5934	.4990	.4980	JFI-0809-04
1/2	19/32	3/8	.8750	.0460	.5030	.5003	.5941	.5934	.4990	.4980	JFI-0809-06
1/2	19/32	1/2	.8750	.0460	.5030	.5003	.5941	.5934	.4990	.4980	JFI-0809-08
1/2	19/32	3/4	.8750	.0460	.5030	.5003	.5941	.5934	.4990	.4980	JFI-0809-12
1/2	19/32	1	.8750	.0460	.5030	.5003	.5941	.5934	.4990	.4980	JFI-0809-16
1/2	5/8	1/4	.8750	.0620	.5047	.5020	.6260	.6250	.5000	.4990	JFI-0810-04
1/2	5/8	1/2	.8750	.0620	.5047	.5020	.6260	.6250	.5000	.4990	JFI-0810-08
1/2	5/8	5/8	.8750	.0620	.5047	.5020	.6260	.6250	.5000	.4990	JFI-0810-10
1/2	5/8	3/4	.8750	.0620	.5047	.5020	.6260	.6250	.5000	.4990	JFI-0810-12
5/8	23/32	1/2	.9370	.0460	.6280	.6253	.7192	.7184	.6240	.6230	JFI-1011-08
5/8	23/32	3/4	.9370	.0460	.6280	.6253	.7192	.7184	.6250	.6240	JFI-1011-12
5/8	23/32	1	.9370	.0460	.6280	.6253	.7192	.7184	.6250	.6240	JFI-1011-16
5/8	3/4	1/2	1.0000	.0620	.6297	.6270	.7510	.7500	.6250	.6240	JFI-1012-08
5/8	3/4	3/4	1.0000	.0620	.6297	.6270	.7510	.7500	.6250	.6240	JFI-1012-12
5/8	3/4	1	1.0000	.0620	.6297	.6270	.7510	.7500	.6250	.6240	JFI-1012-16
3/4	7/8	1/2	1.1250	.0620	.7541	.7505	.8755	.8747	.7491	.7479	JFI-1214-08
3/4	7/8	5/8	1.1250	.0620	.7541	.7505	.8755	.8747	.7491	.7479	JFI-1214-10

³⁾ After press-fit. Testing methods ▶ Page 57

d1	d2	b1	d3	b2	d1 ³⁾		Housing hole		Shaft size		Part No.
					h13	Max.	Min.	Max.	Min.	Max.	
3/4	7/8	3/4	1.1250	.0620	.7541	.7505	.8755	.8747	.7491	.7479	JFI-1214-12
3/4	7/8	1	1.1250	.0620	.7541	.7505	.8755	.8747	.7491	.7479	JFI-1214-16
3/4	1	3/4	1.2500	.1560	.7559	.7525	1.0010	1.00	.7500	.7490	JFI-1216-12
3/4	1	1	1.2500	.1560	.7559	.7525	1.0010	1.00	.7500	.7490	JFI-1216-16
7/8	1	1/2	1.2500	.0620	.8791	.8757	1.0005	.9997	.8741	.8729	JFI-1416-08
7/8	1	3/4	1.2500	.0620	.8791	.8757	1.0005	.9997	.8741	.8729	JFI-1416-12
7/8	1	1	1.2500	.0620	.8791	.8757	1.0005	.9997	.8741	.8729	JFI-1416-16
7/8	1	1 1/16	1.1250	.0620	.8809	.8776	1.0010	1.00	.8750	.8740	JFI-141618-11
1	1 1/8	1/2	1.3750	.0620	1.0041	1.0007	1.1255	1.1247	.9991	.9979	JFI-1618-08
1	1 1/8	3/4	1.3750	.0620	1.0041	1.0007	1.1255	1.1247	.9991	.9979	JFI-1618-12
1	1 1/8	1	1.3750	.0620	1.0041	1.0007	1.1255	1.1247	.9991	.9979	JFI-1618-16
1	1 1/4	3/4	1.5000	.1880	1.0059	1.0025	1.2510	1.250	1.0000	.9990	JFI-1620-12
1	1 1/4	1	1.5000	.1880	1.0059	1.0025	1.2510	1.250	1.0000	.9990	JFI-1620-16
1	1 1/4	1 1/2	1.5000	.1880	1.0059	1.0025	1.2510	1.250	1.0000	.9990	JFI-1620-24
1 1/4	1 13/32	1	1.6870	.0780	1.2548	1.2508	1.4068	1.4058	1.2488	1.2472	JFI-2022-16
1 1/4	1 13/32	1 1/4	1.6870	.0780	1.2548	1.2508	1.4068	1.4058	1.2488	1.2472	JFI-2022-20
1 1/4	1 1/2	1	1.7500	.1880	1.2600	1.2531	1.5005	1.4995	1.2500	1.2490	JFI-2024-16
1 1/4	1 1/2	1 1/2	1.7500	.1880	1.2600	1.2531	1.5005	1.4995	1.2500	1.2490	JFI-2024-24
1 1/2	1 21/32	1	2.0000	.0780	1.5048	1.5008	1.6568	1.6558	1.4988	1.4972	JFI-2426-16
1 1/2	1 21/32	1 1/2	2.0000	.0780	1.5048	1.5008	1.6568	1.6558	1.4988	1.4972	JFI-2426-24
1 1/2	1 3/4	1	2.0000	.1250	1.5100	1.5032	1.7505	1.7495	1.5000	1.4990	JFI-2428-16
1 1/2	1 3/4	1 1/2	2.0000	.1250	1.5100	1.5032	1.7505	1.7495	1.5000	1.4990	JFI-2428-24
1 5/8	1 7/8	1	2.1250	.1250	1.6350	1.6882	1.8755	1.8745	1.6250	1.6240	JFI-2630-16
1 3/4	1 15/16	2	2.3750	.0930	1.7547	1.7507	1.9381	1.9371	1.7487	1.7471	JFI-2831-32
2	2 3/16	2	2.6250	.0930	2.0057	2.0011	2.1883	2.1871	1.9981	1.9969	JFI-3235-32

d1	d2	b1	d3	b2	d1 ³⁾		Housing hole		Shaft size		Part No.
					h13	Max.	Min.	Max.	Min.	Max.	
1/8	3/16	3/16	.3120	.0320	.1269	.1251	.1878	.1873	.1243	.1236	J3FI-0203-03
3/16	1/4	1/4	.3750	.0320	.1892	.1873	.2503	.2497	.1865	.1858	J3FI-0304-04
1/4	5/16	3/8	.5000	.0320	.2521	.2498	.3128	.3122	.2490	.2481	J3FI-0405-06
1/4	5/16	1/2	.5000	.0320	.2521	.2498	.3128	.3122	.2490	.2481	J3FI-0405-08
5/16	3/8	1/4	.5620	.0320	.3148	.3125	.3753	.3747	.3115	.3106	J3FI-0506-04
5/16	3/8	3/8	.5620	.0320	.3148	.3125	.3753	.3747	.3115	.3106	J3FI-0506-06
5/16	3/8	1/2	.5620	.0320	.3148	.3125	.3753	.3747	.3115	.3106	J3FI-0506-08
3/8	15/32	1/4	.6870	.0460	.3773	.3750	.4691	.4684	.3740	.3731	J3FI-0607-04
3/8	15/32	3/8	.6870	.0460	.3773	.3750	.4691	.4684	.3740	.3731	J3FI-0607-06
3/8	15/32	1/2	.6870	.0460	.3773	.3750	.4691	.4684	.3740	.3731	J3FI-0607-08
3/8	15/32	3/4	.6870	.0460	.3773	.3750	.4691	.4684	.3740	.3731	J3FI-0607-12
7/16	17/32	1/2	.7500	.0460	.4406	.4379	.5316	.5309	.4365	.4355	J3FI-0708-08
1/2	19/32	1/4	.8750	.0460	.5030	.5003	.5941	.5934	.4990	.4980	J3FI-0809-04
1/2	19/32	3/8	.8750	.0460	.5030	.5003	.5941	.5934	.4990	.4980	J3FI-0809-06
1/2	19/32	1/2	.8750	.0460	.5030	.5003	.5941	.5934	.4990	.4980	J3FI-0809-08
1/2	19/32	3/4	.8750	.0460	.5030	.5003	.5941	.5934	.4990	.4980	J3FI-0809-12

³⁾ After press-fit. Testing methods ▶ Page 57

d1	d2	b1	d3	b2	d1 ³⁾		Housing hole		Shaft size		Part No.
					h13	Max.	Min.	Max.	Min.	Max.	
1/2	19/32	1	.8750	.0460	.5030	.5003	.5941	.5934	.4990	.4980	J3FI-0809-16
5/8	23/32	1/2	.9370	.0460	.6280	.6253	.7192	.7184	.6240	.6230	J3FI-1011-08
5/8	23/32	3/4	.9370	.0460	.6280	.6253	.7192	.7184	.6240	.6230	J3FI-1011-12
5/8	23/32	1	.9370	.0460	.6280	.6253	.7192	.7184	.6240	.6230	J3FI-1011-16
3/4	7/8	1/2	1.1250	.0620	.7541	.7505	.8755	.8747	.7491	.7479	J3FI-1214-08
3/4	7/8	3/4	1.1250	.0620	.7541	.7505	.8755	.8747	.7491	.7479	J3FI-1214-12
3/4	7/8	1	1.1250	.0620	.7541	.7505	.8755	.8747	.7491	.7479	J3FI-1214-16
7/8	1	1/2	1.2500	.0620	.8791	.8757	1.0005	.9997	.8741	.8729	J3FI-1416-08
7/8	1	3/4	1.2500	.0620	.8791	.8757	1.0005	.9997	.8741	.8729	J3FI-1416-12
7/8	1	1	1.2500	.0620	.8791	.8757	1.0005	.9997	.8741	.8729	J3FI-1416-16
1	1 1/8	1/2	1.3750	.0620	1.0041	1.0007	1.1255	1.1247	.9991	.9979	J3FI-1618-08
1	1 1/8	3/4	1.3750	.0620	1.0041	1.0007	1.1255	1.1247	.9991	.9979	J3FI-1618-12
1	1 1/8	1	1.3750	.0620	1.0041	1.0007	1.1255	1.1247	.9991	.9979	J3FI-1618-16
1 1/4	1 13/32	1	1.6870	.0780	1.2548	1.2508	1.4068	1.4058	1.2488	1.2472	J3FI-2022-16
1 1/4	1 13/32	1 1/4	1.6870	.0780	1.2548	1.2508	1.4068	1.4058	1.2488	1.2472	J3FI-2022-20
1 1/2	1 21/32	1	2.0000	.0780	1.5048	1.5008	1.6568	1.6558	1.4988	1.4972	J3FI-2426-16
1 1/2	1 21/32	1 1/2	2.0000	.0780	1.5048	1.5008	1.6568	1.6558	1.4988	1.4972	J3FI-2426-24
1 3/4	1 15/16	2	2.3750	.0930	1.7547	1.7507	1.9381	1.9371	1.7487	1.7471	J3FI-2831-32
2	2 3/16	2	2.6250	.0930	2.0057	2.0011	2.1883	2.1871	1.9981	1.9969	J3FI-3235-32

iglidur® J350 Chapter ▶ Page 199

d1	d2	b1	d3	b2	d1 ³⁾		Housing hole		Shaft size		Part No.
					h13	Max.	Min.	Max.	Min.	Max.	
1/8	3/16	3/16	.3120	.0320	.1266	.1247	.1878	.1873	.1243	.1236	J350FI-0203-03
3/16	1/4	1/4	.3750	.0320	.1888	.1869	.2503	.2497	.1865	.1858	J350FI-0304-04
1/4	5/16	3/8	.5000	.0320	.2518	.2495	.3128	.3122	.2490	.2481	J350FI-0405-06
1/4	5/16	1/2	.5000	.0320	.2518	.2495	.3128	.3122	.2490	.2481	J350FI-0405-08
5/16	3/8	1/4	.5620	.0320	.3143	.3120	.3753	.3747	.3115	.3106	J350FI-0506-04
5/16	3/8	3/8	.5620	.0320	.3143	.3120	.3753	.3747	.3115	.3106	J350FI-0506-06
5/16	3/8	1/2	.5620	.0320	.3143	.3120	.3753	.3747	.3115	.3106	J350FI-0506-08
3/8	15/32	1/4	.6870	.0460	.3768	.3745	.4691	.4684	.3740	.3731	J350FI-0607-04
3/8	15/32	3/8	.6870	.0460	.3768	.3745	.4691	.4684	.3740	.3731	J350FI-0607-06
3/8	15/32	1/2	.6870	.0460	.3768	.3745	.4691	.4684	.3740	.3731	J350FI-0607-08
3/8	15/32	3/4	.6870	.0460	.3768	.3745	.4691	.4684	.3740	.3731	J350FI-0607-12
7/16	17/32	1/2	.7500	.0460	.4399	.4371	.5316	.5309	.4365	.4355	J350FI-0708-08
1/2	19/32	1/4	.8750	.0460	.5024	.4996	.5941	.5934	.4990	.4980	J350FI-0809-04
1/2	19/32	3/8	.8750	.0460	.5024	.4996	.5941	.5934	.4990	.4980	J350FI-0809-06
1/2	19/32	1/2	.8750	.0460	.5024	.4996	.5941	.5934	.4990	.4980	J350FI-0809-08
1/2	19/32	3/4	.8750	.0460	.5024	.4996	.5941	.5934	.4990	.4980	J350FI-0809-12
1/2	19/32	1	.8750	.0460	.5024	.4996	.5941	.5934	.4990	.4980	J350FI-0809-16
5/8	23/32	1/2	.9370	.0460	.6274	.6246	.7192	.7184	.6240	.6230	J350FI-1011-08
5/8	23/32	3/4	.9370	.0460	.6274	.6246	.7192	.7184	.6240	.6230	J350FI-1011-12
5/8	23/32	1	.9370	.0460	.6274	.6246	.7192	.7184	.6240	.6230	J350FI-1011-16
3/4	7/8	1/2	1.1250	.0620	.7532	.7499	.8755	.8747	.7491	.7479	J350FI-1214-08
3/4	7/8	3/4	1.1250	.0620	.7532	.7499	.8755	.8747	.7491	.7479	J350FI-1214-12

³⁾ After press-fit. Testing methods ▶ Page 57

d1	d2	b1	d3	b2	d1 ³⁾		Housing hole		Shaft size		Part No.
					h13	Max.	Min.	Max.	Min.	Max.	
3/4	7/8	1	1.1250	.0620	.7532	.7499	.8755	.8747	.7491	.7479	J350FI-1214-16
7/8	1	1/2	1.2500	.0620	.8782	.8749	1.0005	.9997	.8741	.8729	J350FI-1416-08
7/8	1	3/4	1.2500	.0620	.8782	.8749	1.0005	.9997	.8741	.8729	J350FI-1416-12
7/8	1	1	1.2500	.0620	.8782	.8749	1.0005	.9997	.8741	.8729	J350FI-1416-16
1	1 1/8	1/2	1.3750	.0620	1.0032	.9999	1.1255	1.1247	.9991	.9979	J350FI-1618-08
1	1 1/8	3/4	1.3750	.0620	1.0032	.9999	1.1255	1.1247	.9991	.9979	J350FI-1618-12
1	1 1/8	1	1.3750	.0620	1.0032	.9999	1.1255	1.1247	.9991	.9979	J350FI-1618-16
1 1/4	1 13/32	1	1.6870	.0780	1.2537	1.2498	1.4068	1.4058	1.2488	1.2472	J350FI-2022-16
1 1/4	1 13/32	1 1/4	1.6870	.0780	1.2537	1.2498	1.4068	1.4058	1.2488	1.2472	J350FI-2022-20
1 1/2	1 21/32	1	2.0000	.0780	1.5037	1.4998	1.6568	1.6558	1.4988	1.4972	J350FI-2426-16
1 1/2	1 21/32	1 1/2	2.0000	.0780	1.5037	1.4998	1.6568	1.6558	1.4988	1.4972	J350FI-2426-24
1 3/4	1 15/16	2	2.3750	.0930	1.7536	1.7497	1.9381	1.9371	1.7487	1.7471	J350FI-2831-32
2	2 3/16	2	2.6250	.0930	2.0040	1.9993	2.1883	2.1871	1.9981	1.9969	J350FI-3235-32

iglidur® M250 Chapter ▶ Page 107

d1	d2	b1	d3	b2	d1 ³⁾		Housing hole		Shaft size		Part No.
					h13	Max.	Min.	Max.	Min.	Max.	
1/8	3/16	1/8	.3125	.0320	.1280	.1262	.1885	.1880	.1250	.1241	MFI-0203-02
1/8	3/16	1/4	.3125	.0320	.1280	.1262	.1885	.1880	.1250	.1241	MFI-0203-04
1/8	1/4	1/8	.3600	.0470	.1280	.1262	.2515	.2510	.1250	.1241	MFI-0204-02
1/8	1/4	3/16	.3600	.0470	.1280	.1262	.2515	.2510	.1250	.1241	MFI-0204-03
1/8	1/4	1/4	.3600	.0470	.1280	.1262	.2515	.2510	.1250	.1241	MFI-0204-04
1/8	1/4	3/8	.3600	.0470	.1280	.1262	.2515	.2510	.1250	.1241	MFI-0204-06
1/8	1/4	3/4	.3600	.0470	.1280	.1262	.2515	.2510	.1250	.1241	MFI-0204-12
3/16	1/4	1/4	.3750	.0320	.1905	.1887	.2515	.2510	.1875	.1866	MFI-0304-04
3/16	1/4	3/8	.3750	.0320	.1905	.1887	.2515	.2510	.1875	.1866	MFI-0304-06
3/16	1/4	1/2	.3750	.0320	.1905	.1887	.2515	.2510	.1875	.1866	MFI-0304-08
3/16	5/16	3/16	.3700	.0470	.1905	.1887	.3140	.3135	.1875	.1866	MFI-0305-03
3/16	5/16	1/4	.3700	.0470	.1905	.1887	.3140	.3135	.1875	.1866	MFI-0305-04
3/16	5/16	5/16	.3700	.0470	.1905	.1887	.3140	.3135	.1875	.1866	MFI-0305-05
3/16	5/16	3/8	.3700	.0470	.1905	.1887	.3140	.3135	.1875	.1866	MFI-0305-06
3/16	5/16	1/2	.3700	.0470	.1905	.1887	.3140	.3135	.1875	.1866	MFI-0305-08
1/4	5/16	3/16	.4375	.0470	.2539	.2516	.3140	.3135	.2500	.2491	MFI-0405-03
1/4	5/16	1/4	.4375	.0320	.2539	.2516	.3140	.3135	.2500	.2491	MFI-0405-04
1/4	5/16	3/8	.4375	.0320	.2539	.2516	.3140	.3135	.2500	.2491	MFI-0405-06
1/4	5/16	7/16	.4375	.0470	.2539	.2516	.3140	.3135	.2500	.2491	MFI-0405-07
1/4	5/16	1/2	.4375	.0320	.2539	.2516	.3140	.3135	.2500	.2491	MFI-0405-08
1/4	5/16	3/4	.4375	.0470	.2539	.2516	.3140	.3135	.2500	.2491	MFI-0405-12
1/4	3/8	1/8	.5600	.0470	.2539	.2516	.3765	.3760	.2500	.2491	MFI-0406-02
1/4	3/8	3/16	.5600	.0470	.2539	.2516	.3765	.3760	.2500	.2491	MFI-0406-03
1/4	3/8	1/4	.5600	.0470	.2539	.2516	.3765	.3760	.2500	.2491	MFI-0406-04
1/4	3/8	3/8	.5600	.0470	.2539	.2516	.3765	.3760	.2500	.2491	MFI-0406-06
1/4	3/8	1/2	.5600	.0470	.2539	.2516	.3765	.3760	.2500	.2491	MFI-0406-08
1/4	3/8	5/8	.5600	.0470	.2539	.2516	.3765	.3760	.2500	.2491	MFI-0406-10
1/4	3/8	3/4	.5600	.0470	.2539	.2516	.3765	.3760	.2500	.2491	MFI-0406-12

³⁾ After press-fit. Testing methods ▶ Page 57

d1	d2	b1	d3	b2	d1 ³⁾		Housing hole		Shaft size		Part No.
					h13	Max.	Min.	Max.	Min.	Max.	
5/16	3/8	1/4	.5000	.0320	.3164	.3141	.3765	.3760	.3125	.3116	MFI-0506-04
5/16	3/8	3/8	.5000	.0320	.3164	.3141	.3765	.3760	.3125	.3116	MFI-0506-06
5/16	3/8	1/2	.5000	.0320	.3164	.3141	.3765	.3760	.3125	.3116	MFI-0506-08
5/16	3/8	15/16	.5000	.0320	.3164	.3141	.3765	.3760	.3125	.3116	MFI-0506-15
5/16	7/16	3/16	.5600	.0620	.3164	.3141	.4390	.4385	.3125	.3116	MFI-0507-03
5/16	7/16	1/4	.5600	.0620	.3164	.3141	.4390	.4385	.3125	.3116	MFI-0507-04
5/16	7/16	5/16	.5600	.0620	.3164	.3141	.4390	.4385	.3125	.3116	MFI-0507-05
5/16	7/16	3/8	.5600	.0620	.3164	.3141	.4390	.4385	.3125	.3116	MFI-0507-06
5/16	7/16	1/2	.5600	.0620	.3164	.3141	.4390	.4385	.3125	.3116	MFI-0507-08
5/16	7/16	5/8	.5600	.0620	.3164	.3141	.4390	.4385	.3125	.3116	MFI-0507-10
5/16	7/16	3/4	.5600	.0620	.3164	.3141	.4390	.4385	.3125	.3116	MFI-0507-12
3/8	7/16	1/4	.5625	.0320	.3789	.3766	.4390	.4385	.3750	.3741	MFI-0607-04
3/8	7/16	3/8	.5625	.0320	.3789	.3766	.4390	.4385	.3750	.3741	MFI-0607-06
3/8	7/16	1/2	.5625	.0320	.3789	.3766	.4390	.4385	.3750	.3741	MFI-0607-08
3/8	1/2	1/8	.6250	.0620	.3789	.3766	.5015	.5010	.3750	.3741	MFI-0608-02
3/8	1/2	3/16	.6250	.0620	.3789	.3766	.5015	.5010	.3750	.3741	MFI-0608-03
3/8	1/2	1/4	.6250	.0620	.3789	.3766	.5015	.5010	.3750	.3741	MFI-0608-04
3/8	1/2	5/16	.6250	.0620	.3789	.3766	.5015	.5010	.3750	.3741	MFI-0608-05
3/8	1/2	3/8	.6250	.0620	.3789	.3766	.5015	.5010	.3750	.3741	MFI-0608-06
3/8	1/2	1/2	.6250	.0620	.3789	.3766	.5015	.5010	.3750	.3741	MFI-0608-08
3/8	1/2	5/8	.6250	.0620	.3789	.3766	.5015	.5010	.3750	.3741	MFI-0608-10
3/8	1/2	3/4	.6250	.0620	.3789	.3766	.5015	.5010	.3750	.3741	MFI-0608-12
3/8	1/2	1	.6250	.0620	.3789	.3766	.5015	.5010	.3750	.3741	MFI-0608-16
7/16	9/16	3/8	.6870	.0620	.4422	.4395	.5941	.5934	.4375	.4365	MFI-0709-06
7/16	9/16	1/2	.6870	.0620	.4422	.4395	.5941	.5934	.4375	.4365	MFI-0709-08
1/2	5/8	1/8	.8750	.0620	.5047	.5020	.6260	.6250	.5000	.4990	MFI-0810-02
1/2	5/8	1/4	.8750	.0620	.5047	.5020	.6260	.6250	.5000	.4990	MFI-0810-04
1/2	5/8	5/16	.8750	.0620	.5047	.5020	.6260	.6250	.5000	.4990	MFI-0810-05
1/2	5/8	3/8	.8750	.0620	.5047	.5020	.6260	.6250	.5000	.4990	MFI-0810-06
1/2	5/8	1/2	.8750	.0620	.5047	.5020	.6260	.6250	.5000	.4990	MFI-0810-08
1/2	5/8	5/8	.8750	.0620	.5047	.5020	.6260	.6250	.5000	.4990	MFI-0810-10
1/2	5/8	3/4	.8750	.0620	.5047	.5020	.6260	.6250	.5000	.4990	MFI-0810-12
1/2	5/8	1	.8750	.0620	.5047	.5020	.6260	.6250	.5000	.4990	MFI-0810-16
5/8	3/4	3/8	1.0000	.0620	.6297	.6270	.7510	.7500	.6250	.6240	MFI-1012-06
5/8	3/4	1/2	1.0000	.0620	.6297	.6270	.7510	.7500	.6250	.6240	MFI-1012-08
5/8	3/4	5/8	1.0000	.0620	.6297	.6270	.7510	.7500	.6250	.6240	MFI-1012-10
5/8	3/4	3/4	1.0000	.0620	.6297	.6270	.7510	.7500	.6250	.6240	MFI-1012-12
5/8	3/4	1	1.0000	.0620	.6297	.6270	.7510	.7500	.6250	.6240	MFI-1012-16
5/8	3/4	1 1/2	1.0000	.0620	.6297	.6270	.7510	.7500	.6250	.6240	MFI-1012-24
5/8	13/16	1/2	1.0630	.0620	.6297	.6270	.8135	.8125	.6250	.6240	MFI-1013-08
5/8	13/16	5/8	1.0630	.0620	.6297	.6270	.8135	.8125	.6250	.6240	MFI-1013-10
5/8	13/16	3/4	1.0630	.0620	.6297	.6270	.8135	.8125	.6250	.6240	MFI-1013-12
5/8	13/16	1	1.0630	.0620	.6297	.6270	.8135	.8125	.6250	.6240	MFI-1013-16
3/4	7/8	3/8	1.1250	.0620	.7559	.7525	.8760	.8750	.6250	.6240	MFI-1214-06
3/4	7/8	1/2	1.1250	.0620	.7559	.7525	.8760	.8750	.6250	.6240	MFI-1214-08
3/4	7/8	3/4	1.1250	.0620	.7559	.7525	.8760	.8750	.7500	.7490	MFI-1214-12

³⁾ After press-fit. Testing methods ► Page 57

d1	d2	b1	d3	b2	d1 ³⁾		Housing hole		Shaft size		Part No.
					h13	Max.	Min.	Max.	Min.	Max.	
3/4	7/8	1	1.1250	.0620	.7559	.7525	.8760	.8750	.7500	.7490	MFI-1214-16
3/4	7/8	1 1/2	1.1250	.0620	.7559	.7525	.8760	.8750	.7500	.7490	MFI-1214-24
3/4	1	1/2	1.2500	.1560	.7559	.7525	1.0010	1.0000	.7500	.7490	MFI-1216-08
3/4	1	5/8	1.2500	.1560	.7559	.7525	1.0010	1.0000	.7500	.7490	MFI-1216-10
3/4	1	3/4	1.2500	.1560	.7559	.7525	1.0010	1.0000	.7500	.7490	MFI-1216-12
3/4	1	1	1.2500	.1560	.7559	.7525	1.0010	1.0000	.7500	.7490	MFI-1216-16
3/4	1	1 1/2	1.2500	.1560	.7559	.7525	1.0010	1.0000	.7500	.7490	MFI-1216-24
7/8	1	3/4	1.2500	.0620	.8809	.8775	1.0010	1.0000	.8750	.8740	MFI-1416-12
7/8	1	1	1.2500	.0620	.8809	.8775	1.0010	1.0000	.8750	.8740	MFI-1416-16
7/8	1	1 1/2	1.2500	.0620	.8809	.8775	1.0010	1.0000	.8750	.8740	MFI-1416-24
7/8	1 1/8	1/2	1.3750	.1560	.8809	.8775	1.1260	1.1250	.8750	.8740	MFI-1418-08
7/8	1 1/8	3/4	1.3750	.1560	.8809	.8775	1.1260	1.1250	.8750	.8740	MFI-1418-12
7/8	1 1/8	1	1.3750	.1560	.8809	.8775	1.1260	1.1250	.8750	.8740	MFI-1418-16
7/8	1 1/8	1 1/2	1.3750	.1560	.8809	.8775	1.1260	1.1250	.8750	.8740	MFI-1418-24
1	1 1/8	3/16	1.3750	.0620	1.0059	1.0025	1.1260	1.1250	1.0000	.9990	MFI-1618-03
1	1 1/8	3/4	1.3750	.0620	1.0059	1.0025	1.1260	1.1250	1.0000	.9990	MFI-1618-12
1	1 1/8	1	1.3750	.0620	1.0059	1.0025	1.1260	1.1250	1.0000	.9990	MFI-1618-16
1	1 1/8	1 1/2	1.3750	.0620	1.0059	1.0025	1.1260	1.1250	1.0000	.9990	MFI-1618-24
1	1 1/4	1/2	1.5000	.1880	1.0059	1.0025	1.2510	1.2500	1.0000	.9990	MFI-1620-08
1	1 1/4	5/8	1.5000	.1880	1.0059	1.0025	1.2510	1.2500	1.0000	.9990	MFI-1620-10
1	1 1/4	3/4	1.5000	.1880	1.0059	1.0025	1.2510	1.2500	1.0000	.9990	MFI-1620-12
1	1 1/4	1	1.5000	.1880	1.0059	1.0025	1.2510	1.2500	1.0000	.9990	MFI-1620-16
1	1 1/4	1 1/2	1.5000	.1880	1.0059	1.0025	1.2510	1.2500	1.0000	.9990	MFI-1620-24
1 1/4	1 1/2	7/16	1.7500	.2000	1.2600	1.2531	1.5005	1.4995	1.2500	1.2490	MFI-2024-07
1 1/4	1 1/2	3/4	1.7500	.2000	1.2600	1.2531	1.5005	1.4995	1.2500	1.2490	MFI-2024-12
1 1/4	1 1/2	1	1.7500	.2000	1.2600	1.2531	1.5005	1.4995	1.2500	1.2490	MFI-2024-16
1 1/4	1 1/2	1 1/2	1.7500	.2000	1.2600	1.2531	1.5005	1.4995	1.2500	1.2490	MFI-2024-24
1 3/8	1 5/8	3/4	1.8750	.1250	1.3850	1.3182	1.6255	1.6245	1.3750	1.3740	MFI-2226-12
1 3/8	1 5/8	1	1.8750	.1250	1.3850	1.3182	1.6255	1.6245	1.3750	1.3740	MFI-2226-16
1 1/2	1 3/4	3/4	2.0000	.1250	1.5100	1.5032	1.7505	1.7495	1.5000	1.4990	MFI-2428-12
1 1/2	1 3/4	1	2.0000	.1250	1.5100	1.5032	1.7505	1.7495	1.5000	1.4990	MFI-2428-16
1 1/2	1 3/4	1 1/2	2.0000	.1250	1.5100	1.5032	1.7505	1.7495	1.5000	1.4990	MFI-2428-24
1 5/8	1 7/8	1	2.1250	.1250	1.6350	1.6282	1.8755	1.8745	1.6250	1.6240	MFI-2630-16
1 3/4	2	3/4	2.2500	.1250	1.7560	1.7532	2.0005	1.9995	1.7500	1.7490	MFI-2832-12
1 3/4	2	1	2.2500	.1250	1.7560	1.7532	2.0005	1.9995	1.7500	1.7490	MFI-2832-16
1 3/4	2	1 1/2	2.2500	.1250	1.7560	1.7532	2.0005	1.9995	1.7500	1.7490	MFI-2832-24
2	2 1/4	1	2.5000	.1250	2.0100	2.0032	2.2550	2.2540	2.0000	1.9990	MFI-3236-16
2	2 1/4	1 1/2	2.5000	.1250	2.0100	2.0032	2.2550	2.2540	2.0000	1.9990	MFI-3236-24
2	2 1/4	2	2.5000	.1250	2.0100	2.0032	2.2550	2.2540	2.0000	1.9990	MFI-3236-32

³⁾ After press-fit. Testing methods ► Page 57

iglidur® P Chapter ▶ Page 131

d1	d2	b1	d3	b2	d1 ³⁾		Housing hole		Shaft size		Part No.
					h13	Max.	Min.	Max.	Min.	Max.	
1/8	3/16	3/16	.3120	.0320	.1269	.1251	.1878	.1873	.1243	.1236	PFI-0203-03
3/16	1/4	1/4	.3750	.0320	.1892	.1873	.2503	.2497	.1865	.1858	PFI-0304-04
1/4	5/16	3/8	.5000	.0320	.2521	.2498	.3128	.3122	.2490	.2481	PFI-0405-06
1/4	5/16	1/2	.5000	.0320	.2521	.2498	.3128	.3122	.2490	.2481	PFI-0405-08
5/16	3/8	1/4	.5620	.0320	.3148	.3125	.3753	.3747	.3115	.3106	PFI-0506-04
5/16	3/8	3/8	.5620	.0320	.3148	.3125	.3753	.3747	.3115	.3106	PFI-0506-06
5/16	3/8	1/2	.5620	.0320	.3148	.3125	.3753	.3747	.3115	.3106	PFI-0506-08
3/8	15/32	1/4	.6870	.0460	.3773	.3750	.4691	.4684	.3740	.3731	PFI-0607-04
3/8	15/32	3/8	.6870	.0460	.3773	.3750	.4691	.4684	.3740	.3731	PFI-0607-06
3/8	15/32	1/2	.6870	.0460	.3773	.3750	.4691	.4684	.3740	.3731	PFI-0607-08
3/8	15/32	3/4	.6870	.0460	.3773	.3750	.4691	.4684	.3740	.3731	PFI-0607-12
7/16	17/32	1/2	.7500	.0460	.4406	.4379	.5316	.5309	.4365	.4355	PFI-0708-08
1/2	19/32	1/4	.8750	.0460	.5030	.5003	.5941	.5934	.4990	.4980	PFI-0809-04
1/2	19/32	3/8	.8750	.0460	.5030	.5003	.5941	.5934	.4990	.4980	PFI-0809-06
1/2	19/32	1/2	.8750	.0460	.5030	.5003	.5941	.5934	.4990	.4980	PFI-0809-08
1/2	19/32	3/4	.8750	.0460	.5030	.5003	.5941	.5934	.4990	.4980	PFI-0809-12
1/2	19/32	1	.8750	.0460	.5030	.5003	.5941	.5934	.4990	.4980	PFI-0809-16
5/8	23/32	1/2	.9370	.0460	.6280	.6253	.7192	.7184	.6240	.6230	PFI-1011-08
5/8	23/32	3/4	.9370	.0460	.6280	.6253	.7192	.7184	.6240	.6230	PFI-1011-12
5/8	23/32	1	.9370	.0460	.6280	.6253	.7192	.7184	.6240	.6230	PFI-1011-16
3/4	7/8	1/2	1.1250	.0620	.7541	.7505	.8755	.8747	.7491	.7479	PFI-1214-08
3/4	7/8	3/4	1.1250	.0620	.7541	.7505	.8755	.8747	.7491	.7479	PFI-1214-12
3/4	7/8	1	1.1250	.0620	.7541	.7505	.8755	.8747	.7491	.7479	PFI-1214-16
7/8	1	1/2	1.2500	.0620	.8791	.8757	1.0005	.9997	.8741	.8729	PFI-1416-08
7/8	1	3/4	1.2500	.0620	.8791	.8757	1.0005	.9997	.8741	.8729	PFI-1416-12
7/8	1	1	1.2500	.0620	.8791	.8757	1.0005	.9997	.8741	.8729	PFI-1416-16
1	1 1/8	1/2	1.3750	.0620	1.0041	1.0007	1.1255	1.1247	.9991	.9979	PFI-1618-08
1	1 1/8	3/4	1.3750	.0620	1.0041	1.0007	1.1255	1.1247	.9991	.9979	PFI-1618-12
1	1 1/8	1	1.3750	.0620	1.0041	1.0007	1.1255	1.1247	.9991	.9979	PFI-1618-16
1 1/4	1 13/32	1	1.6870	.0780	1.2548	1.2508	1.4068	1.4058	1.2488	1.2472	PFI-2022-16
1 1/4	1 13/32	1 1/4	1.6870	.0780	1.2548	1.2508	1.4068	1.4058	1.2488	1.2472	PFI-2022-20
1 1/2	1 21/32	1	2.0000	.0780	1.5048	1.5008	1.6568	1.6558	1.4988	1.4972	PFI-2426-16
1 1/2	1 21/32	1 1/2	2.0000	.0780	1.5048	1.5008	1.6568	1.6558	1.4988	1.4972	PFI-2426-24
1 3/4	1 15/16	2	2.3750	.0930	1.7547	1.7507	1.9381	1.9371	1.7487	1.7471	PFI-2831-32
2	2 3/16	2	2.6250	.0930	2.0057	2.0011	2.1883	2.1871	1.9981	1.9969	PFI-3235-32

iglidur® P210 Chapter ▶ Page 117

d1	d2	b1	d3	b2	d1 ³⁾		Housing hole		Shaft size		Part No.
					h13	Max.	Min.	Max.	Min.	Max.	
1/8	3/16	3/16	.3120	.0320	.1269	.1251	.1878	.1873	.1243	.1236	P210FI-0203-03
3/16	1/4	1/4	.3750	.0320	.1892	.1873	.2503	.2497	.1865	.1858	P210FI-0304-04
1/4	5/16	3/8	.5000	.0320	.2521	.2498	.3128	.3122	.2490	.2481	P210FI-0405-06
1/4	5/16	1/2	.5000	.0320	.2521	.2498	.3128	.3122	.2490	.2481	P210FI-0405-08

³⁾ After press-fit. Testing methods ▶ Page 57

iglidur® Q Chapter ▶ Page 459

d1	d2	b1	d3	b2	d1 ³⁾		Housing hole		Shaft size		Part No.
					h13	Max.	Min.	Max.	Min.	Max.	
5/16	3/8	1/4	.5620	.0320	.3148	.3125	.3753	.3747	.3115	.3106	P210FI-0506-04
5/16	3/8	3/8	.5620	.0320	.3148	.3125	.3753	.3747	.3115	.3106	P210FI-0506-06
5/16	3/8	1/2	.5620	.0320	.3148	.3125	.3753	.3747	.3115	.3106	P210FI-0506-08
3/8	15/32	1/4	.6870	.0460	.3773	.3750	.4691	.4684	.3740	.3731	P210FI-0607-04
3/8	15/32	3/8	.6870	.0460	.3773	.3750	.4691	.4684	.3740	.3731	P210FI-0607-06
3/8	15/32	1/2	.6870	.0460	.3773	.3750	.4691	.4684	.3740	.3731	P210FI-0607-08
3/8	15/32	3/4	.6870	.0460	.3773	.3750	.4691	.4684	.3740	.3731	P210FI-0607-12
7/16	17/32	1/2	.7500	.0460	.4406	.4379	.5316	.5309	.4365	.4355	P210FI-0708-08
1/2	19/32	1/4	.8750	.0460	.5030	.5003	.5941	.5934	.4990	.4980	P210FI-0809-04
1/2	19/32	3/8	.8750	.0460	.5030	.5003	.5941	.5934	.4990	.4980	P210FI-0809-06
1/2	19/32	1/2	.8750	.0460	.5030	.5003	.5941	.5934	.4990	.4980	P210FI-0809-08
1/2	19/32	3/4	.8750	.0460	.5030	.5003	.5941	.5934	.4990	.4980	P210FI-0809-12
1/2	19/32	1	.8750	.0460	.5030	.5003	.5941	.5934	.4990	.4980	P210FI-0809-16
5/8	23/32	1/2	.9370	.0460	.6280	.6253	.7192	.7184	.6240	.6230	P210FI-1011-08
5/8	23/32	3/4	.9370	.0460	.6280	.6253	.7192	.7184	.6240	.6230	P210FI-1011-12
5/8	23/32	1	.9370	.0460	.6280	.6253	.7192	.7184	.6240	.6230	P210FI-1011-16
3/4	7/8	1/2	1.1250	.0620	.7541	.7505	.8755	.8747	.7491	.7479	P210FI-1214-08
3/4	7/8	3/4	1.1250	.0620	.7541	.7505	.8755	.8747	.7491	.7479	P210FI-1214-12
3/4	7/8	1	1.1250	.0620	.7541	.7505	.8755	.8747	.7491	.7479	P210FI-1214-16
7/8	1	1/2	1.2500	.0620	.8791	.8757	1.0005	.9997	.8741	.8729	P210FI-1416-08
7/8	1	3/4	1.2500	.0620	.8791	.8757	1.0005	.9997	.8741	.8729	P210FI-1416-12
7/8	1	1	1.2500	.0620	.8791	.8757	1.0005	.9997	.8741	.8729	P210FI-1416-16
1	1 1/8	1/2	1.3750	.0620	1.0041	1.0007	1.1255	1.1247	.9991	.9979	P210FI-1618-08
1	1 1/8	3/4	1.3750	.0620	1.0041	1.0007	1.1255	1.1247	.9991	.9979	P210FI-1618-12
1	1 1/8	1	1.3750	.0620	1.0041	1.0007	1.1255	1.1247	.9991	.9979	P210FI-1618-16
1 1/4	1 13/32	1	1.6870	.0780	1.2548	1.2508	1.4068	1.4058	1.2488	1.2472	P210FI-2022-16
1 1/4	1 13/32	1 1/4	1.6870	.0780	1.2548	1.2508	1.4068	1.4058	1.2488	1.2472	P210FI-2022-20
1 1/2	1 21/32	1	2.0000	.0780	1.5048	1.5008	1.6568	1.6558	1.4988	1.4972	P210FI-2426-16
1 1/2	1 21/32	1 1/2	2.0000	.0780	1.5048	1.5008	1.6568	1.6558	1.4988	1.4972	P210FI-2426-24
1 3/4	1 15/16	2	2.3750	.0930	1.7547	1.7507	1.9381	1.9371	1.7487	1.7471	P210FI-2831-32
2	2 3/16	2	2.6250	.0930	2.0057	2.0011	2.1883	2.1871	1.9981	1.9969	P210FI-3235-32

iglidur® Q Chapter ▶ Page 459

d1	d2	b1	d3	b2	d1 ³⁾		Housing hole		Shaft size		Part No.
					h13	Max.	Min.	Max.	Min.	Max.	
3/8	15/32	1/4	.6870	.0460	.3773	.3750	.4691	.4684	.3740	.3731	QFI-0607-04
3/8	15/32	1/2	.6870	.0460	.3773	.3750	.4691	.4684	.3740	.3731	QFI-0607-08
1/2	19/32	1/4	.8750	.0460	.5030	.5003	.5941	.5934	.4990	.4980	QFI-0809-04
1/2	19/32	1/2	.8750	.0460	.5030	.5003	.5941	.5934	.4990	.4980	QFI-0809-08
1/2	19/32	3/4	.8750	.0460	.5030	.5003	.5941	.5934	.4990	.4980	QFI-0809-12
5/8	23/32	3/4	.9370	.0460	.6280	.6253	.7192	.7184	.6240	.6230	QFI-1011-12
5/8	3/4	1/2	1.0000	.0620	.6290	.6263	.7510	.7500	.6250	.6240	QFI-1012-08
3/4	7/8	1/2	1.1250	.0620	.7541	.7507	.8755	.8747	.7491	.7479	QFI-1214-08
3/4	7/8	3/4	1.1250	.0620	.7541	.7507	.8755	.8747	.7491	.7479	QFI-1214-12
3/4	7/8	1	1.1250	.0620	.7541	.7505	.8755	.8747	.7491	.7479	QFI-1214-16

³⁾ After press-fit. Testing methods ▶ Page 57

d1	d2	b1	d3	b2	d1 ³⁾		Housing hole		Shaft size		Part No.
					h13	Max.	Min.	Max.	Min.	Max.	
7/8	1	3/4	1.2500	.0620	.8791	.8757	1.0005	.9997	.8741	.8729	QFI-1416-12
7/8	1	1	1.2500	.0620	.8791	.8757	1.0005	.9997	.8741	.8729	QFI-1416-16
1	1 1/8	1/2	1.3750	.0620	1.0041	1.0007	1.1255	1.1247	.9991	.9979	QFI-1618-08
1	1 1/8	1	1.3750	.0620	1.0041	1.0007	1.1255	1.1247	.9991	.9979	QFI-1618-16
1	1 1/8	1 1/2	1.3750	.0620	1.0041	1.0007	1.1255	1.1247	.9991	.9979	QFI-1618-24
1 1/8	1 9/32	3/4	1.5620	.0780	1.1288	1.1254	1.2818	1.2808	1.1238	1.1226	QFI-1820-12
1 1/8	1 9/32	1 1/2	1.5620	.0780	1.1288	1.1254	1.2818	1.2808	1.1238	1.1226	QFI-1820-24
1 1/4	1 13/32	1 1/4	1.6870	.0780	1.2548	1.2508	1.4068	1.4058	1.2488	1.2472	QFI-2022-20
1 1/4	1 13/32	1 1/2	1.6870	.0780	1.2548	1.2508	1.4068	1.4058	1.2488	1.2472	QFI-2022-24
1 1/2	1 21/32	1 1/2	2.0000	.0780	1.5048	1.5008	1.6568	1.6558	1.4988	1.4972	QFI-2426-24
1 3/4	1 15/16	2	2.3750	.0930	1.7547	1.7507	1.9381	1.9371	1.7487	1.7471	QFI-2831-32
2	2 3/16	2	2.6250	.0930	2.0057	2.0011	2.1883	2.1871	1.9981	1.9969	QFI-3235-32
2 1/4	2 7/16	2	2.7500	.0930	2.2577	2.2531	2.4377	2.4365	2.2507	2.2489	QFI-3639-32

iglidur® Q2 Chapter ► Page 445

d1	d2	b1	d3	b2	d1 ³⁾		Housing hole		Shaft size		Part No.
					h13	Max.	Min.	Max.	Min.	Max.	
1/8	3/16	3/16	.3120	.0320	.1269	.1251	.1878	.1873	.1243	.1236	Q2FI-0203-03
3/16	1/4	1/4	.3750	.0320	.1892	.1873	.2503	.2497	.1865	.1858	Q2FI-0304-04
1/4	5/16	3/8	.5000	.0320	.2521	.2498	.3128	.3122	.2490	.2481	Q2FI-0405-06
1/4	5/16	1/2	.5000	.0320	.2521	.2498	.3128	.3122	.2490	.2481	Q2FI-0405-08
5/16	3/8	1/4	.5620	.0320	.3148	.3125	.3753	.3747	.3115	.3106	Q2FI-0506-04
5/16	3/8	3/8	.5620	.0320	.3148	.3125	.3753	.3747	.3115	.3106	Q2FI-0506-06
5/16	3/8	1/2	.5620	.0320	.3148	.3125	.3753	.3747	.3115	.3106	Q2FI-0506-08
3/8	15/32	1/4	.6870	.0460	.3773	.3750	.4691	.4684	.3740	.3731	Q2FI-0607-04
3/8	15/32	3/8	.6870	.0460	.3773	.3750	.4691	.4684	.3740	.3731	Q2FI-0607-06
3/8	15/32	1/2	.6870	.0460	.3773	.3750	.4691	.4684	.3740	.3731	Q2FI-0607-08
3/8	15/32	3/4	.6870	.0460	.3773	.3750	.4691	.4684	.3740	.3731	Q2FI-0607-12
7/16	17/32	1/2	.7500	.0460	.4406	.4379	.5316	.5309	.4365	.4355	Q2FI-0708-08
1/2	19/32	1/4	.8750	.0460	.5030	.5003	.5941	.5934	.4990	.4980	Q2FI-0809-04
1/2	19/32	3/8	.8750	.0460	.5030	.5003	.5941	.5934	.4990	.4980	Q2FI-0809-06
1/2	19/32	1/2	.8750	.0460	.5030	.5003	.5941	.5934	.4990	.4980	Q2FI-0809-08
1/2	19/32	3/4	.8750	.0460	.5030	.5003	.5941	.5934	.4990	.4980	Q2FI-0809-12
1/2	19/32	1	.8750	.0460	.5030	.5003	.5941	.5934	.4990	.4980	Q2FI-0809-16
5/8	23/32	1/2	.9370	.0460	.6280	.6253	.7192	.7184	.6240	.6230	Q2FI-1011-08
5/8	23/32	3/4	.9370	.0460	.6280	.6253	.7192	.7184	.6240	.6230	Q2FI-1011-12
5/8	23/32	1	.9370	.0460	.6280	.6253	.7192	.7184	.6240	.6230	Q2FI-1011-16
3/4	7/8	1/2	1.1250	.0620	.7541	.7505	.8755	.8747	.7491	.7479	Q2FI-1214-08
3/4	7/8	3/4	1.1250	.0620	.7541	.7505	.8755	.8747	.7491	.7479	Q2FI-1214-12
3/4	7/8	1	1.1250	.0620	.7541	.7505	.8755	.8747	.7491	.7479	Q2FI-1214-16
7/8	1	1/2	1.2500	.0620	.8791	.8757	1.0005	.9997	.8741	.8729	Q2FI-1416-08
7/8	1	3/4	1.2500	.0620	.8791	.8757	1.0005	.9997	.8741	.8729	Q2FI-1416-12
7/8	1	1	1.2500	.0620	.8791	.8757	1.0005	.9997	.8741	.8729	Q2FI-1416-16
1	1 1/8	1/2	1.3750	.0620	1.0041	1.0007	1.1255	1.1247	.9991	.9979	Q2FI-1618-08
1	1 1/8	3/4	1.3750	.0620	1.0041	1.0007	1.1255	1.1247	.9991	.9979	Q2FI-1618-12

³⁾ After press-fit. Testing methods ► Page 57

d1	d2	b1	d3	b2	d1 ³⁾		Housing hole		Shaft size		Part No.
					h13	Max.	Min.	Max.	Min.	Max.	
1	1 1/8	1	1.3750	.0620	1.0041	1.0007	1.1255	1.1247	.9991	.9979	Q2FI-1618-16
1 1/4	1 13/32	1	1.6870	.0780	1.2548	1.2508	1.4068	1.4058	1.2488	1.2472	Q2FI-2022-16
1 1/4	1 13/32	1 1/4	1.6870	.0780	1.2548	1.2508	1.4068	1.4058	1.2488	1.2472	Q2FI-2022-20
1 1/2	1 21/32	1	2.0000	.0780	1.5048	1.5008	1.6568	1.6558	1.4988	1.4972	Q2FI-2426-16
1 1/2	1 21/32	1 1/2	2.0000	.0780	1.5048	1.5008	1.6568	1.6558	1.4988	1.4972	Q2FI-2426-24
1 3/4	1 15/16	2	2.3750	.0930	1.7547	1.7507	1.9381	1.9371	1.7487	1.7471	Q2FI-2831-32
2	2 3/16	2	2.6250	.0930	2.0057	2.0011	2.1883	2.1871	1.9981	1.9969	Q2FI-3235-32

iglidur® W300 Chapter ► Page 171

d1	d2	b1	d3	b2	d1 ³⁾		Housing hole		Shaft size		Part No.
					h13	Max.	Min.	Max.	Min.	Max.	
1/8	3/16	3/16	.3120	.0320	.1269	.1251	.1878	.1873	.1243	.1236	WFI-0203-03
1/8	3/16	1/4	.3120	.0320	.1269	.1251	.1878	.1873	.1243	.1236	WFI-0203-04
1/8	3/16	3/8	.3120	.0320	.1269	.1251	.1878	.1873	.1243	.1236	WFI-0203-06
3/16	1/4	1/8	.3750	.0320	.1892	.1873	.2503	.2497	.1865	.1858	WFI-0304-02
3/16	1/4	1/4	.3750	.0320	.1892	.1873	.2503	.2497	.1865	.1858	WFI-0304-04
3/16	1/4	3/8	.3750	.0320	.1892	.1873	.2503	.2497	.1865	.1858	WFI-0304-06
3/16	1/4	1/2	.3750	.0320	.1892	.1873	.2503	.2497	.1865	.1858	WFI-0304-08
1/4	5/16	1/4	.5000	.0320	.2521	.2498	.3128	.3122	.2490	.2481	WFI-0405-04
1/4	5/16	5/16	.5000	.0320	.2521	.2498	.3128	.3122	.2490	.2481	WFI-0405-05
1/4	5/16	3/8	.5000	.0320	.2521	.2498	.3128	.3122	.2490	.2481	WFI-0405-06
1/4	5/16	1/2	.5000	.0320	.2521	.2498	.3128	.3122	.2490	.2481	WFI-0405-08
1/4	5/16	3/4	.5000	.0320	.2521	.2498	.3128	.3122	.2490	.2481	WFI-0405-12
5/16	3/8	1/4	.5620	.0320	.3148	.3125	.3753	.3747	.3115	.3106	WFI-0506-04
5/16	3/8	3/8	.5620	.0320	.3148	.3125	.3753	.3747	.3115	.3106	WFI-0506-06
5/16	3/8	1/2	.5620	.0320	.3148	.3125	.3753	.3747	.3115	.3106	WFI-0506-08
5/16	3/8	3/4	.5620	.0320	.3148	.3125	.3753	.3747	.3115	.3106	WFI-0506-12
3/8	15/32	1/4	.6870	.0460	.3773	.3750	.4691	.4684	.3740	.3731	WFI-0607-04
3/8	15/32	3/8	.6870	.0460	.3773	.3750	.4691	.4684	.3740	.3731	WFI-0607-06
3/8	15/32	1/2	.6870	.0460	.3773	.3750	.4691	.4684	.3740	.3731	WFI-0607-08
3/8	15/32	3/4	.6870	.0460	.3773	.3750	.4691	.4684	.3740	.3731	WFI-0607-12
7/16	17/32	1/2	.7500	.0460	.4406	.4379	.5316	.5309	.4365	.4355	WFI-0708-08
1/2	19/32	1/4	.8750	.0460	.5030	.5003	.5941	.5934	.4990	.4980	WFI-0809-04
1/2	19/32	3/8	.8750	.0460	.5030	.5003	.5941	.5934	.4990	.4980	WFI-0809-06
1/2	19/32	1/2	.8750	.0460	.5030	.5003	.5941	.5934	.4990	.4980	WFI-0809-08
1/2	19/32	3/4	.8750	.0460	.5030	.5003	.5941	.5934	.4990	.4980	WFI-0809-12
1/2	19/32	1	.8750	.0460	.5030	.5003	.5941	.5934	.4990	.4980	WFI-0809-16
5/8	23/32	1/2	.9370	.0460	.6280	.6253	.7192	.7184	.6240	.6230	WFI-1011-045
5/8	23/32	1/2	.9370	.0460	.6280	.6253	.7192	.7184	.6240	.6230	WFI-1011-08
5/8	23/32	3/4	.9370	.0460	.6280	.6253	.7192	.7184	.6240	.6230	WFI-1011-12
5/8	23/32	1	.9370	.0460	.6280	.6253	.7192	.7184	.6240	.6230	WFI-1011-16
5/8	23/32	1 1/2	.9370	.0460	.6280	.6253	.7192	.7184	.6240	.6230	WFI-1011-24
3/4	7/8	1/2	1.1250	.0620	.7541	.7507	.8755	.8747	.7491	.7479	WFI-1214-08
3/4	7/8	5/8	1.1250	.0620	.7541	.7507	.8755	.8747	.7491	.7479	WFI-1214-10
3/4	7/8	3/4	1.1250	.0620	.7541	.7507	.8755	.8747	.7491	.7479	WFI-1214-12

³⁾ After press-fit. Testing methods ► Page 57

d1	d2	b1	d3	b2 h13	d1 ³⁾		Housing hole		Shaft size		Part No.
					Max.	Min.	Max.	Min.	Max.	Min.	
3/4	7/8	1	1.1250	.0620	.7541	.7507	.8755	.8747	.7491	.7479	WFI-1214-16
3/4	7/8	1 1/2	1.1250	.0620	.7541	.7507	.8755	.8747	.7491	.7479	WFI-1214-24
7/8	1	1/4	1.2500	.0620	.8791	.8757	1.0005	.9997	.8741	.8729	WFI-1416-04
7/8	1	15/32	1.2500	.0620	.8791	.8757	1.0005	.9997	.8741	.8729	WFI-1416-075
7/8	1	1/2	1.2500	.0620	.8791	.8757	1.0005	.9997	.8741	.8729	WFI-1416-08
7/8	1	23/32	1.2500	.0620	.8791	.8757	1.0005	.9997	.8741	.8729	WFI-1416-115
7/8	1	3/4	1.2500	.0620	.8791	.8757	1.0005	.9997	.8741	.8729	WFI-1416-12
7/8	1	1	1.2500	.0620	.8791	.8757	1.0005	.9997	.8741	.8729	WFI-1416-16
7/8	1	1 1/4	1.2500	.0620	.8791	.8757	1.0005	.9997	.8741	.8729	WFI-1416-20
7/8	1	1 1/2	1.2500	.0620	.8791	.8757	1.0005	.9997	.8741	.8729	WFI-1416-24
7/8	1	5/8	1.2500	.0620	.8791	.8757	1.0005	.9997	.8741	.8729	WFI-141618-10
7/8	1	11/16	1.2500	.0620	.8791	.8757	1.0005	.9997	.8741	.8729	WFI-141620-11
1	1 1/8	1/2	1.3750	.0620	1.0041	1.0007	1.1255	1.1247	.9991	.9979	WFI-1618-08
1	1 1/8	3/4	1.3750	.0620	1.0041	1.0007	1.1255	1.1247	.9991	.9979	WFI-1618-12
1	1 1/8	1	1.3750	.0620	1.0041	1.0007	1.1255	1.1247	.9991	.9979	WFI-1618-16
1	1 1/8	1 1/4	1.3750	.0620	1.0041	1.0007	1.1255	1.1247	.9991	.9979	WFI-1618-20
1	1 1/8	1 1/2	1.3750	.0620	1.0041	1.0007	1.1255	1.1247	.9991	.9979	WFI-1618-24
1 1/8	1 9/32	1/2	1.5620	.0780	1.1288	1.1254	1.2818	1.2808	1.1238	1.1226	WFI-1820-08
1 1/8	1 9/32	3/4	1.5620	.0780	1.1288	1.1254	1.2818	1.2808	1.1238	1.1226	WFI-1820-12
1 1/8	1 9/32	1 1/2	1.5620	.0780	1.1288	1.1254	1.2818	1.2808	1.1238	1.1226	WFI-1820-24
1 1/4	1 13/32	3/4	1.6870	.0780	1.2548	1.2508	1.4068	1.4058	1.2488	1.2472	WFI-2022-12
1 1/4	1 13/32	1	1.6870	.0780	1.2548	1.2508	1.4068	1.4058	1.2488	1.2472	WFI-2022-16
1 1/4	1 13/32	1 1/4	1.6870	.0780	1.2548	1.2508	1.4068	1.4058	1.2488	1.2472	WFI-2022-20
1 1/4	1 13/32	1 1/2	1.6870	.0780	1.2548	1.2508	1.4068	1.4058	1.2488	1.2472	WFI-2022-24
1 3/8	1 17/32	1	1.8750	.0780	1.3798	1.3758	1.5318	1.5308	1.3738	1.3722	WFI-2224-16
1 1/2	1 21/32	3/4	2.0000	.0780	1.5048	1.5008	1.6568	1.6558	1.4988	1.4972	WFI-2426-12
1 1/2	1 21/32	1	2.0000	.0780	1.5048	1.5008	1.6568	1.6558	1.4988	1.4972	WFI-2426-16
1 1/2	1 21/32	1 1/2	2.0000	.0780	1.5048	1.5008	1.6568	1.6558	1.4988	1.4972	WFI-2426-24
1 3/4	1 15/16	1	2.3750	.0930	1.7547	1.7507	1.9381	1.9371	1.7487	1.7471	WFI-2831-16
1 3/4	1 15/16	1 1/2	2.3750	.0930	1.7547	1.7507	1.9381	1.9371	1.7487	1.7471	WFI-2831-24
1 3/4	1 15/16	2	2.3750	.0930	1.7547	1.7507	1.9381	1.9371	1.7487	1.7471	WFI-2831-32
2	2 3/16	1	2.6250	.0930	2.0057	2.0011	2.1883	2.1871	1.9981	1.9969	WFI-3235-16
2	2 3/16	1 1/2	2.6250	.0930	2.0057	2.0011	2.1883	2.1871	1.9981	1.9969	WFI-3235-24
2	2 3/16	2	2.6250	.0930	2.0057	2.0011	2.1883	2.1871	1.9981	1.9969	WFI-3235-32

iglidur® X Chapter ▶ Page 279

d1	d2	b1	d3	b2 h13	d1 ³⁾		Housing hole		Shaft size		Part No.
					Max.	Min.	Max.	Min.	Max.	Min.	
1/8	3/16	3/16	.3120	.0320	.1266	.1247	.1878	.1873	.1243	.1236	XFI-0203-03
1/8	3/16	3/8	.3120	.0320	.1266	.1247	.1878	.1873	.1243	.1236	XFI-0203-06
3/16	1/4	1/4	.3750	.0320	.1888	.1869	.2503	.2497	.1865	.1858	XFI-0304-04
3/16	1/4	3/8	.3750	.0320	.1888	.1869	.2503	.2497	.1865	.1858	XFI-0304-06
3/16	1/4	1/2	.3750	.0320	.1888	.1869	.2503	.2497	.1865	.1858	XFI-0304-08
1/4	5/16	3/16	.5000	.0320	.2518	.2495	.3128	.3122	.2490	.2481	XFI-0405-03
1/4	5/16	1/4	.5000	.0320	.2518	.2495	.3128	.3122	.2490	.2481	XFI-0405-04

³⁾ After press-fit. Testing methods ▶ Page 57

d1	d2	b1	d3	b2 h13	d1 ³⁾		Housing hole		Shaft size		Part No.
					Max.	Min.	Max.	Min.	Max.	Min.	
1/4	5/16	3/8	.5000	.0320	.2518	.2495	.3128	.3122	.2490	.2481	XFI-0405-06
1/4	5/16	1/2	.5000	.0320	.2518	.2495	.3128	.3122	.2490	.2481	XFI-0405-08
1/4	5/16	3/4	.5000	.0320	.2518	.2495	.3128	.3122	.2490	.2481	XFI-0405-12
5/16	3/8	1/4	.5620	.0320	.3143	.3120	.3753	.3747	.3115	.3106	XFI-0506-04
5/16	3/8	3/8	.5620	.0320	.3143	.3120	.3753	.3747	.3115	.3106	XFI-0506-06
5/16	3/8	1/2	.5620	.0320	.3143	.3120	.3753	.3747	.3115	.3106	XFI-0506-08
3/8	15/32	1/4	.6870	.0460	.3768	.3745	.4691	.4684	.3740	.3731	XFI-0607-04
3/8	15/32	3/8	.6870	.0460	.3768	.3745	.4691	.4684	.3740	.3731	XFI-0607-06
3/8	15/32	1/2	.6870	.0460	.3768	.3745	.4691	.4684	.3740	.3731	XFI-0607-08
3/8	15/32	3/4	.6870	.0460	.3768	.3745	.4691	.4684	.3740	.3731	XFI-0607-12
7/16	17/32	1/2	.7500	.0460	.4399	.4371	.5316	.5309	.4365	.4355	XFI-0708-08
1/2	19/32	1/4	.8750	.0460	.5024	.4996	.5941	.5934	.4990	.4980	XFI-0809-04
1/2	19/32	3/8	.8750	.0460	.5024	.4996	.5941	.5934	.4990	.4980	XFI-0809-06
1/2	19/32	1/2	.8750	.0460	.5024	.4996	.5941	.5934	.4990	.4980	XFI-0809-08
1/2	19/32	3/4	.8750	.0460	.5024	.4996	.5941	.5934	.4990	.4980	XFI-0809-12
1/2	19/32	1	.8750	.0460	.5024	.4996	.5941	.5934	.4990	.4980	XFI-0809-16
5/8	23/32	1/2	.9370	.0460	.6274	.6246	.7192	.7184	.6240	.6230	XFI-1011-08
5/8	23/32	3/4	.9370	.0460	.6274	.6246	.7192	.7184	.6240	.6230	XFI-1011-12
5/8	23/32	1	.9370	.0460	.6274	.6246	.7192	.7184	.6240	.6230	XFI-1011-16
5/8	23/32	1 1/2	.9370	.0460	.6274	.6246	.7192	.7184	.6240	.6230	XFI-1011-24
3/4	7/8	1/2	1.1250	.0620	.7532	.7499	.8755	.8747	.7491	.7479	XFI-1214-08
3/4	7/8	3/4	1.1250	.0620	.7532	.7499	.8755	.8747	.7491	.7479	XFI-1214-12
3/4	7/8	1	1.1250	.0620	.7532	.7499	.8755	.8747	.7491	.7479	XFI-1214-16
3/4	7/8	1 3/4	1.1250	.0620	.7532	.7499	.8755	.8747	.7491	.7479	XFI-1214-28
7/8	1	1/2	1.2500	.0620	.8782	.8749	1.0005	.9997	.8741	.8729	XFI-1416-08
7/8	1	3/4	1.2500	.0620	.8782	.8749	1.0005	.9997	.8741	.8729	XFI-1416-12
7/8	1	1	1.2500	.0620	.8782	.8749	1.0005	.9997	.8741	.8729	XFI-1416-16
1	1 1/8	1/2	1.3750	.0620	1.0032	.9999	1.1255	1.1247	.9991	.9979	XFI-1618-08
1	1 1/8	3/4	1.3750	.0620	1.0032	.9999	1.1255	1.1247	.9991	.9979	XFI-1618-12
1	1 1/8	1	1.3750	.0620	1.0032	.9999	1.1255	1.1247	.9991	.9979	XFI-1618-16
1	1 1/8	1 1/2	1.3750	.0620	1.0032	.9999	1.1255	1.1247	.9991	.9979	XFI-1618-24
1 1/8	1 9/32	3/4	1.5620	.0780	1.1288	1.1254	1.2818	1.2808	1.1238	1.1226	XFI-1820-12
1 1/4	1 13/32	1	1.6870	.0780	1.2537	1.2498	1.4068	1.4058	1.2488	1.2472	XFI-2022-16
1 1/4	1 13/32	1 1/4	1.6870	.0780	1.2537	1.2498	1.4068	1.4058	1.2488	1.2472	XFI-2022-20
1 1/4	1 13/32	2	1.6870	.0780	1.2537	1.2498	1.4068	1.4058	1.2488	1.2472	XFI-2022-32
1 1/2	1 21/32	3/4	2.0000	.0780	1.5048	1.5008	1.6568	1.6558	1.4988	1.4972	XFI-2426-12
1 1/2	1 21/32	1	2.0000	.0780	1.5048	1.5008	1.6568	1.6558	1.4988	1.4972	XFI-2426-16
1 1/2	1 21/32	1 1/2	2.0000	.0780	1.5048	1.5008	1.6568	1.6558	1.4988	1.4972	XFI-2426-24
1 1/2	1 21/32	1 5/8	2.0000	.0780	1.5048	1.5008	1.6568	1.6558	1.4988	1.4972	XFI-2426-26
1 3/4	1 15/16	1	2.3750	.0930	1.7536	1.7497	1.9381	1.9371	1.7487	1.7471	XFI-2831-16
1 3/4	1 15/16	2	2.3750	.0930	1.7536	1.7497	1.9381	1.9371	1.7487	1.7471	XFI-2831-32
2	2 3/16	2	2.6250	.0930	2.0057	2.0011	2.1883	2.1871	1.9981	1.9969	XFI-3235-32
2 3/4	2 15/16	2	3.3750	.0930	2.7570	2.7523	2.9370	2.9358	2.7500	2.7490	XFI-4447-32

³⁾ After press-fit. Testing methods ▶ Page 57

iglidur® Z Chapter ▶ Page 289

d1	d2	b1	d3	b2		d1 ³⁾		Housing hole		Shaft size		Part No.
				h13	Max.	Min.	Max.	Min.	Max.	Min.		
1/8	3/16	3/16	.3120	.0320	.1266	.1247	.1878	.1873	.1243	.1236	ZFI-0203-03	
3/16	1/4	1/4	.3750	.0320	.1888	.1869	.2503	.2497	.1865	.1858	ZFI-0304-04	
1/4	5/16	3/8	.5000	.0320	.2518	.2495	.3128	.3122	.2490	.2481	ZFI-0405-06	
1/4	5/16	1/2	.5000	.0320	.2518	.2495	.3128	.3122	.2490	.2481	ZFI-0405-08	
5/16	3/8	1/4	.5620	.0320	.3143	.3120	.3753	.3747	.3115	.3106	ZFI-0506-04	
5/16	3/8	3/8	.5620	.0320	.3143	.3120	.3753	.3747	.3115	.3106	ZFI-0506-06	
5/16	3/8	1/2	.5620	.0320	.3143	.3120	.3753	.3747	.3115	.3106	ZFI-0506-08	
3/8	15/32	1/4	.6870	.0460	.3768	.3745	.4691	.4684	.3740	.3731	ZFI-0607-04	
3/8	15/32	3/8	.6870	.0460	.3768	.3745	.4691	.4684	.3740	.3731	ZFI-0607-06	
3/8	15/32	1/2	.6870	.0460	.3768	.3745	.4691	.4684	.3740	.3731	ZFI-0607-08	
3/8	15/32	3/4	.6870	.0460	.3768	.3745	.4691	.4684	.3740	.3731	ZFI-0607-12	
7/16	17/32	1/2	.7500	.0460	.4399	.4371	.5316	.5309	.4365	.4355	ZFI-0708-08	
1/2	19/32	1/4	.8750	.0460	.5024	.4996	.5941	.5934	.4990	.4980	ZFI-0809-04	
1/2	19/32	3/8	.8750	.0460	.5024	.4996	.5941	.5934	.4990	.4980	ZFI-0809-06	
1/2	19/32	1/2	.8750	.0460	.5024	.4996	.5941	.5934	.4990	.4980	ZFI-0809-08	
1/2	19/32	3/4	.8750	.0460	.5024	.4996	.5941	.5934	.4990	.4980	ZFI-0809-12	
1/2	19/32	1	.8750	.0460	.5024	.4996	.5941	.5934	.4990	.4980	ZFI-0809-16	
5/8	23/32	1/2	.9370	.0460	.6274	.6246	.7192	.7184	.6240	.6230	ZFI-1011-08	
5/8	23/32	3/4	.9370	.0460	.6274	.6246	.7192	.7184	.6240	.6230	ZFI-1011-12	
5/8	23/32	1	.9370	.0460	.6274	.6246	.7192	.7184	.6240	.6230	ZFI-1011-16	
5/8	3/4	3/4	1.0000	.0460	.6284	.6256	.7510	.7500	.6250	.6240	ZFI-1012-08	
3/4	7/8	1/2	1.1250	.0620	.7532	.7499	.8755	.8747	.7491	.7479	ZFI-1214-08	
3/4	7/8	3/4	1.1250	.0620	.7532	.7499	.8755	.8747	.7491	.7479	ZFI-1214-12	
3/4	7/8	1	1.1250	.0620	.7532	.7499	.8755	.8747	.7491	.7479	ZFI-1214-16	
7/8	1	1/2	1.2500	.0620	.8782	.8749	1.0005	.9997	.8741	.8729	ZFI-1416-08	
7/8	1	3/4	1.2500	.0620	.8782	.8749	1.0005	.9997	.8741	.8729	ZFI-1416-12	
7/8	1	1	1.2500	.0620	.8782	.8749	1.0005	.9997	.8741	.8729	ZFI-1416-16	
1	1 1/8	1/2	1.3750	.0620	1.0032	.9999	1.1255	1.1247	.9991	.9979	ZFI-1618-08	
1	1 1/8	3/4	1.3750	.0620	1.0032	.9999	1.1255	1.1247	.9991	.9979	ZFI-1618-12	
1	1 1/8	1	1.3750	.0620	1.0032	.9999	1.1255	1.1247	.9991	.9979	ZFI-1618-16	
1 1/8	1 9/32	11/2	1.5620	.0780	1.1279	1.1246	1.2818	1.2808	1.1238	1.1226	ZFI-1820-12	
1 1/8	1 9/32	11/2	1.5620	.0780	1.1279	1.1246	1.2818	1.2808	1.1238	1.1226	ZFI-1820-24	
1 1/4	1 13/32	1	1.6870	.0780	1.2537	1.2498	1.4068	1.4058	1.2488	1.2472	ZFI-2022-16	
1 1/4	1 13/32	1 1/4	1.6870	.0780	1.2537	1.2498	1.4068	1.4058	1.2488	1.2472	ZFI-2022-20	
1 1/4	1 13/32	11/4	1.6870	.0780	1.2537	1.2498	1.4068	1.4058	1.2488	1.2472	ZFI-2022-24	
1 1/2	1 21/32	1	2.0000	.0780	1.5037	1.4998	1.6568	1.6558	1.4988	1.4972	ZFI-2426-16	
1 1/2	1 21/32	1 1/2	2.0000	.0780	1.5037	1.4998	1.6568	1.6558	1.4988	1.4972	ZFI-2426-24	
1 3/4	1 15/16	2	2.3750	.0930	1.7536	1.7497	1.9381	1.9371	1.7487	1.7471	ZFI-2831-32	
2	2 3/16	2	2.6250	.0930	2.0040	1.9993	2.1883	2.1871	1.9981	1.9969	ZFI-3235-32	

³⁾ After press-fit. Testing methods ▶ Page 57

Thrust washer (form T)



Image exemplary

iglidur® A200 Chapter ▶ Page 409

d1 (nominal)	Max.	d1 ³⁾		Max.	d2	Min.	s	Part No.
		Max.	Min.					
1/4	.2610	.2551	.2551	.6201	.6094	.0902	ATI-04	
3/8	.3943	.3813	.3813	.7500	.7370	.0902	ATI-06	
1/2	.5102	.5031	.5031	.8201	.8071	.0902	ATI-08	
3/4	.7673	.7598	.7598	1.0654	1.0500	.0941	ATI-12	
1	1.0268	1.0197	1.0197	1.5000	1.4843	.1252	ATI-16	

iglidur® G Chapter ▶ Page 81

d1	d2	s	d4	d5	h	d6	Part No.
+010	-010	-0020	±005	.015 + .005	+008	+005	
.5000	.8750	.0585	.6920	.0670	.0400	.8750	GTI-0814-01
.6250	1.1250	.0585	.8800	.0990	.0400	1.125	GTI-1018-01
.7500	1.2500	.0585	1.005	.0990	.0400	1.250	GTI-1220-01
.8750	1.5000	.0585	1.192	.1300	.0400	1.500	GTI-1424-01
1.0000	1.7500	.0585	1.380	.1300	.0400	1.750	GTI-1628-01
1.2500	2.1250	.0585	1.692	.1610	.0400	2.125	GTI-2034-01
1.5000	2.5000	.0585	2.005	.1920	.0400	2.500	GTI-2440-01
1.7500	2.7500	.0585	2.255	.1920	.0400	2.750	GTI-2844-01
2.0000	3.0000	.0895	2.505	.1920	.0700	3.000	GTI-3248-01

iglidur® M250 Chapter ▶ Page 107

d1 (nominal)	Max.	d1 ³⁾		Max.	d2	Min.	s	Part No.
		Max.	Min.					
1/4	.2609	.2550	.2550	.6200	.6094	.0900	MTI-04	
5/16	.3271	.3189	.3189	.6874	.6767	.0900	MTI-05	
3/8	.3940	.3810	.3810	.7409	.7394	.0900	MTI-06	
1/2	.5101	.5030	.5030	.8200	.8070	.0900	MTI-08	
5/8	.6371	.6300	.6300	1.0000	.9870	.0940	MTI-10	
3/4	.7675	.7600	.7600	1.0630	1.0500	.0940	MTI-12	
1	1.0200	1.0100	1.0100	1.5000	1.4843	.1250	MTI-16	
1 1/4	1.2998	1.2900	1.2900	2.1400	2.1220	.0980	MTI-20	
1 1/2	1.6000	1.5500	1.5500	2.6000	2.5500	.1250	MTI-24	

³⁾ After press-fit. Testing methods ▶ Page 57

iglidur® W300 Chapter ▶ Page 171

d1 +.010	d2 -.010	s -.0020	d4 ±.005	d5 .015 + .005	h +.008	d6 +.005	Part No.
.500	.8750	.0585	.6920	.0670	.0400	.8750	WTI-0814-01
.625	1.1250	.0585	.8800	.0990	.0400	1.1250	WTI-1018-01
.750	1.2500	.0585	1.0050	.0990	.0400	1.2500	WTI-1220-01
.875	1.5000	.0585	1.1920	.1300	.0400	1.5000	WTI-1424-01
1.00	1.7500	.0585	1.3800	.1300	.0400	1.7500	WTI-1628-01
1.25	2.1250	.0585	1.6920	.1610	.0400	2.1250	WTI-2034-01
1.50	2.5000	.0585	2.0050	.1920	.0400	2.5000	WTI-2440-01
1.75	2.7500	.0585	2.2550	.1920	.0400	2.7500	WTI-2844-01
2.00	3.0000	.0895	2.5050	.1920	.0700	3.0000	WTI-3248-01

iglidur® X Chapter ▶ Page 279

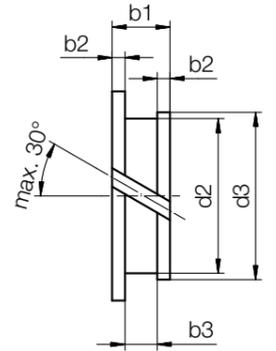
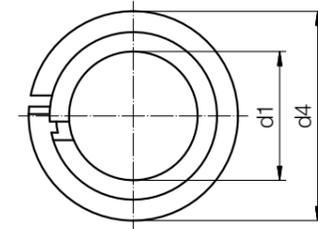
d1 +.010	d2 -.010	s -.0020	d4 ±.005	d5 .015 + .005	h +.008	d6 +.005	Part No.
.500	.8750	.0585	.6920	.0670	.0400	.8750	XTI-0814-01
.625	1.1250	.0585	.8800	.0990	.0400	1.1250	XTI-1018-01
.750	1.2500	.0585	1.0050	.0990	.0400	1.2500	XTI-1220-01
.875	1.5000	.0585	1.1920	.1300	.0400	1.5000	XTI-1424-01
1.00	1.7500	.0585	1.3800	.1300	.0400	1.7500	XTI-1628-01
1.125	1.6250	.0585	-	-	.0400	1.6250	XTI-1826-01
1.25	2.1250	.0585	1.6920	.1610	.0400	2.1250	XTI-2034-01
1.50	2.5000	.0585	2.0050	.1920	.0400	2.5000	XTI-2440-01
1.75	2.7500	.0585	2.2550	.1920	.0400	2.7500	XTI-2844-01
2.00	3.0000	.0895	2.5050	.1920	.0700	3.0000	XTI-3248-01

3) After press-fit. Testing methods ▶ Page 57

Clip bearings



Image exemplary



Clip bearings Chapter ▶ Page 590

d1 D11 ⁷⁾	d2	d3	d4	b1 +.020	b2 -.010	b3	Part No.
3/16	0.2343	1/4	5/16	0.138	0.032	0.074	MCI-03-01
3/16	0.2343	1/4	5/16	0.200	0.032	0.136	MCI-03-02
1/4	0.3125	11/32	7/16	0.138	0.032	0.074	MCI-04-01
1/4	0.3125	11/32	7/16	0.200	0.032	0.136	MCI-04-02
5/16	0.3750	13/32	1/2	0.138	0.032	0.074	MCI-05-01
5/16	0.3750	13/32	1/2	0.200	0.032	0.136	MCI-05-02
3/8	0.4375	15/32	9/16	0.138	0.032	0.074	MCI-06-01
3/8	0.4375	15/32	9/16	0.200	0.032	0.136	MCI-06-02
7/16	0.5000	17/32	5/8	0.138	0.032	0.074	MCI-07-01
7/16	0.5000	17/32	5/8	0.200	0.032	0.136	MCI-07-02
1/2	0.5625	19/32	11/16	0.138	0.032	0.074	MCI-08-01
1/2	0.5625	19/32	11/16	0.200	0.032	0.136	MCI-08-02

⁷⁾ d1 value is measured with a plug gauge after fitting into a reference housing d2 (+0.005).

Please see D11 tolerances table ▶ Page 589

Split bearings,
low bearing clearance

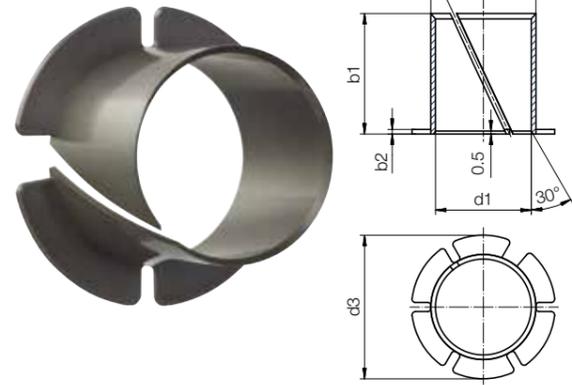


Image exemplary

Split bearings with
anti-rotation feature

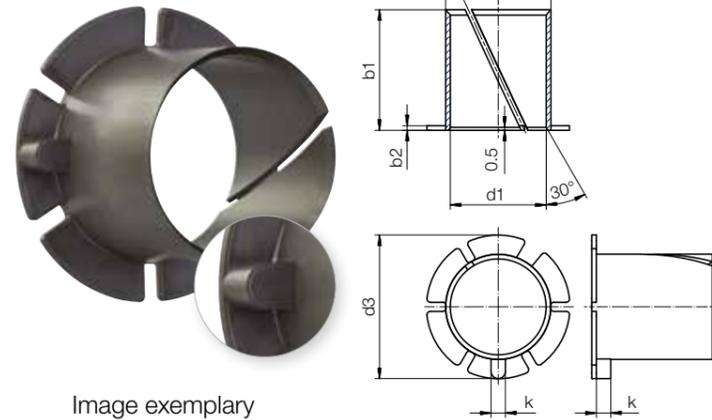


Image exemplary

Split bearings, low bearing clearance

Chapter ▶ Page 592

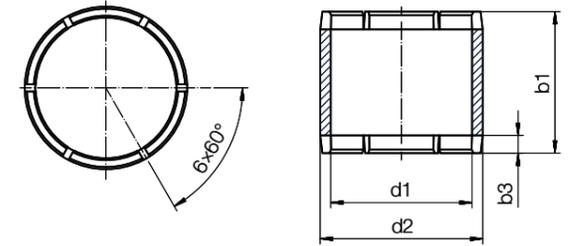
d1	Shaft diameter		d2	Housing hole		d3	b1	b1 tolerance	b2	Part No.
	Min.	Max.		Min.	Max.					
3/16	.1875	.1865	0.2339	.2351	.2339	19/61	3/16	-0.016	0.0252	MYI-03-03
1/4	.0025	.2490	0.2965	.2979	.2965	13/32	1/4	-0.016	0.0252	MYI-04-04
5/16	.3125	.3115	0.3744	.3758	.3744	1/2	5/16	-0.017	0.0299	MYI-05-05
3/8	.3750	.3740	0.4370	.4387	.4370	19/32	3/8	-0.017	0.0299	MYI-06-06
7/16	.4375	.4365	0.4996	.5013	.4996	21/32	7/16	-0.017	0.0299	MYI-07-07
1/2	.5000	.4990	0.5618	.5635	.5618	3/4	3/8	-0.018	0.0299	MYI-08-06
1/2	.5000	.4990	0.5618	.5635	.5618	3/4	1/2	-0.018	0.0299	MYI-08-08
5/8	.6250	.6240	0.6870	.6887	.6870	15/16	7/16	-0.018	0.0299	MYI-10-07
5/8	.6250	.6240	0.6870	.6887	.6870	15/16	5/8	-0.018	0.0299	MYI-10-10
5/8	.6250	.6240	0.6870	.6887	.6870	15/16	1 1/8	-0.018	0.0299	MYI-10-18
3/4	.7500	.7490	0.8118	.8139	.8118	1 1/8	3/4	-0.019	0.0299	MYI-12-12
3/4	.7500	.7490	0.8118	.8139	.8118	1 1/8	1 1/8	-0.019	0.0299	MYI-12-18
7/8	.8750	.8740	0.9370	.9391	.9370	1 5/16	15/32	-0.019	0.0299	MYI-14-7.5
7/8	.8750	.8740	0.9370	.9391	.9370	1 5/16	7/8	-0.019	0.0299	MYI-14-14
1	1.00	.9985	1.0933	1.0954	1.0933	1 1/2	7/8	-0.020	0.0449	MYI-16-14
1	1.00	.9985	1.0933	1.0954	1.0933	1 1/2	1	-0.020	0.0449	MYI-16-16

Split bearings with anti-rotation feature

Chapter ▶ Page 593

d1	Shaft diameter		d2	Housing hole		d3	b1	b1 tolerance	b2	k	Part No.
	Min.	Max.		Min.	Max.						
1/4	.0025	.2490	0.2965	.2979	.2965	13/32	1/4	-0.016	0.0252	1/16	MYI-04-04-K
5/16	.3125	.3115	0.3744	.3758	.3744	1/2	5/16	-0.017	0.0299	3/32	MYI-05-05-K
1/2	.5000	.4990	0.5618	.5635	.5618	3/4	1/2	-0.018	0.0299	3/32	MYI-08-08-K
5/8	.6250	.6240	0.6870	.6887	.6870	15/16	7/16	-0.018	0.0299	1/8	MYI-10-07-K
5/8	.6250	.6240	0.6870	.6887	.6870	15/16	5/8	-0.018	0.0299	1/8	MYI-10-10-K
3/4	.7500	.7490	0.8118	.8139	.8118	1 1/8	3/4	-0.019	0.0299	1/8	MYI-12-12-K
1	1.00	.9985	1.0933	1.0954	1.0933	1 1/2	1	-0.020	0.0449	5/32	MYI-16-16-K

Clearance-free, pre-loaded sleeve plain bearings



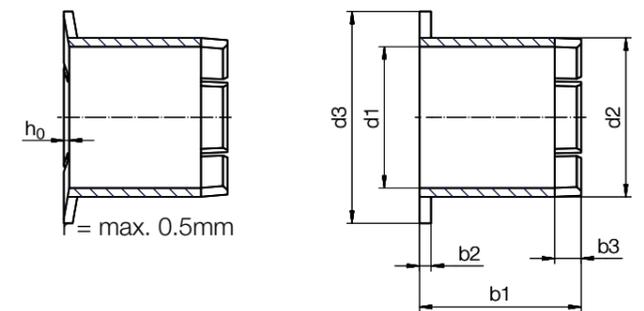
JVSI – clearance-free pre-loaded plain bearings

Chapter ▶ Page 607

d1	d1 ¹⁴⁾		d2	b1	b1 tolerance	Part No.
	Max.	Min.				
3/8	.3773	.3750	1/2	3/8	0.075	JVSI-0608-06
1/2	.5040	.5013	5/8	1/2	0.075	JVSI-0810-08
5/8	.6297	.6270	3/4	5/8	0.075	JVSI-1012-10
3/4	.7541	.7505	1 1/8	3/4	0.075	JVSI-1214-12
1	1.0041	1.0007	28.58	1	0.100	JVSI-1618-16

¹⁴⁾ d1 measured after press-fit in housing hole. d2 H7 within the measurement plane

Sleeve bearings for all shaft surfaces

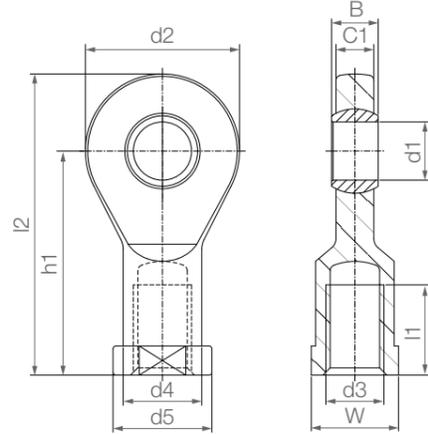


PEPSI – for all shaft surfaces

Chapter ▶ Page 615

d1	d2	b1	Part No.
1/4	3/8	3/8	PEPSI-0406-06
3/8	1/2	1/2	PEPSI-0608-08
1/2	5/8	1/2	PEPSI-0810-08
5/8	3/4	3/4	PEPSI-1012-12
3/4	7/8	3/4	PEPSI-1214-12
1	1 1/8	1	PEPSI-1618-16

Rod ends with female thread: EBRI and EBLI



EBRI/EBLI Chapter ▶ Page 756

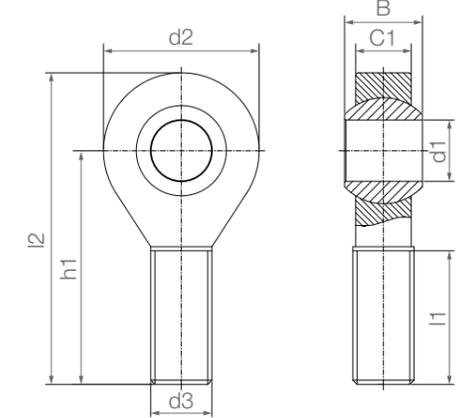
Part No.	d1	d2	d3	d4	d5	C1	B	
Right-hand thread	Left-hand thread		E10					
EBRI-03	EBLI-03	0.1900	0.748	10-32	0.3543	0.4331	0.1732	0.1900
EBRI-04	EBLI-04	0.2500	0.827	1/4-28	0.4331	0.5118	0.1732	0.2500
EBRI-05	EBLI-05	0.3125	0.945	5/16-24	0.5118	0.6299	0.2362	0.3125
EBRI-06	EBLI-06	0.3750	1.142	3/8-24	0.5906	0.7480	0.2756	0.3750
EBRI-07	EBLI-07	0.4375	1.339	7/16-20	0.7087	0.8661	0.3150	0.4063
EBRI-08	EBLI-08	0.5000	1.339	1/2-20	0.7087	0.8661	0.3150	0.4063
EBRI-10 ¹⁷⁾	EBLI-10 ¹⁷⁾	0.6250	1.693	5/8-18	-	-	0.4134	0.5000
EBRI-12	EBLI-12	0.7500	2.087	3/4-16	1.0630	1.3386	0.5118	0.6250

Part No.	h1	l1	l2	W	Max. pivot angle	
Right-hand thread	Left-hand thread		E10			
EBRI-03	EBLI-03	1.1811	0.4724	1.5551	0.35	30°
EBRI-04	EBLI-04	1.1811	0.4724	1.5945	0.43	25°
EBRI-05	EBLI-05	1.4173	0.6299	1.8898	0.55	22°
EBRI-06	EBLI-06	1.6929	0.7087	2.2638	0.67	22°
EBRI-07	EBLI-07	1.9685	0.7874	2.6378	0.75	18°
EBRI-08	EBLI-08	1.9685	0.7874	2.6378	0.75	18°
EBRI-10 ¹⁷⁾	EBLI-10 ¹⁷⁾	2.5394	1.0433	3.3858	0.87	16°
EBRI-12	EBLI-12	3.0315	1.2205	4.0748	1.18	14°

¹⁷⁾ EBRI-10/EBLI-10 special form with hexagonal foot

Part No.	Max. static tensile strain		Max. axial force		Min. thread depth	Max. tightening torque	Max. tightening torque through ball	Weight	
Right-hand thread	Left-hand thread	Short-term [N]	Long-term [N]	Short-term [N]	Long-term [N]	Thread [inch]	Female thread [Nm]	ball [Nm]	[g]
EBRI-03	EBLI-03	1.300	650	150	75	.315	2	2.0	3.1
EBRI-04	EBLI-04	1.500	750	200	100	.315	5	2.5	3.8
EBRI-05	EBLI-05	2.000	1.000	450	225	.433	6	7.0	6.9
EBRI-06	EBLI-06	2.300	1.150	500	250	.512	7	14.0	11.5
EBRI-07	EBLI-07	3.300	1.650	550	275	.551	18	25.0	17.6
EBRI-08	EBLI-08	3.300	1.650	550	275	.551	23	25.0	18.1
EBRI-10	EBLI-10	5.000	2.500	850	425	.709	30	32.0	31.9
EBRI-12	EBLI-12	7.200	3.600	1.800	900	.866	40	40.0	61.5

Rod ends with male thread: KARI and KALI

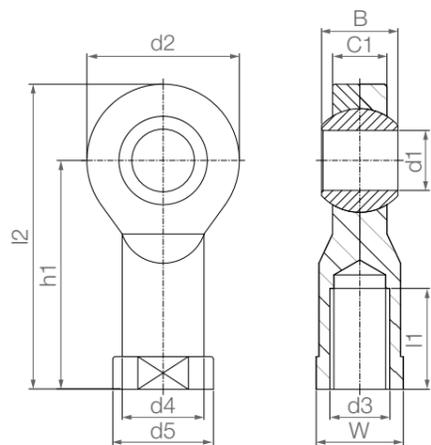


KARI/KALI Chapter ▶ Page 752

Part No.	d1	d2	d3	C1	B	h1	l1	l2	Max. pivot angle	
Right-hand thread	Left-hand thread		E10							
KARI-03	KALI-03	.1900	.625	10-32	.234	.312	1.25	.750	1.563	25°
KARI-04	KALI-04	.2500	.750	1/4-28	.250	.365	1.562	1.00	1.937	25°
KARI-05	KALI-05	.3125	.875	5/16-24	.312	.437	1.875	1.25	2.313	25°
KARI-06	KALI-06	.3750	1.00	3/8-24	.359	.500	1.938	1.25	2.438	22°
KARI-07	KALI-07	.4375	1.125	7/16-20	.406	.562	2.125	1.375	2.688	22°
KARI-08	KALI-08	.5000	1.312	1/2-20	.453	.625	2.428	1.50	2.094	22°
KARI-10	KALI-10	.6250	1.50	5/8-18	.484	.750	2.625	1.625	3.375	22°
KARI-12	KALI-12	.7500	1.75	3/4-16	.593	.875	2.875	1.75	3.75	22°
KARI-16	KALI-16	1.00	2.75	1-12	1.00	1.375	4.125	2.35	5.50	20°

Part No.	Max. static tensile strain		Max. axial force		Min. thread depth	Max. tightening torque	Max. tightening torque through ball	Weight	
Right-hand thread	Left-hand thread	Short-term [N]	Long-term [N]	Short-term [N]	Long-term [N]	Male thread [Nm]	ball [Nm]	[g]	
KARI-03	KALI-03	390	200	70	35	.525	0.5	3	2.1
KARI-04	KALI-04	900	450	100	50	.700	1.0	4	3.5
KARI-05	KALI-05	1.100	550	150	75	.875	2.0	10	6
KARI-06	KALI-06	1.500	750	350	175	.875	3.0	15	8.8
KARI-07	KALI-07	2.000	1.000	400	200	.962	6.0	25	12.4
KARI-08	KALI-08	2.500	1.250	450	225	1.050	9.0	35	18.5
KARI-10	KALI-10	3.500	1.750	600	300	1.137	12.0	50	27.6
KARI-12	KALI-12	3.900	1.950	1.000	500	1.226	25.0	70	42.8
KARI-16	KALI-16	4.400	2.200	1.300	650	1.488	45.0	85	143.3

Rod ends with female thread: KBRI and KBLI



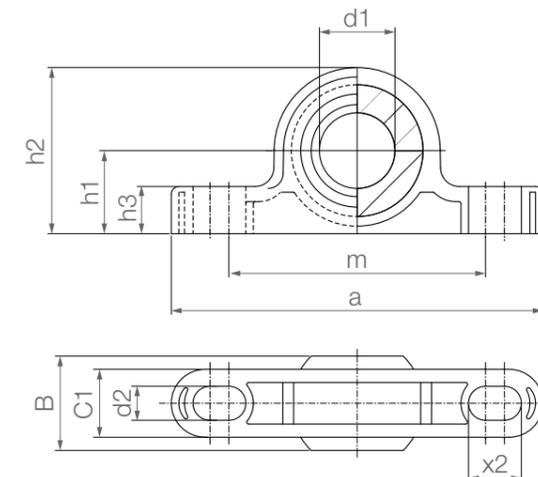
KBRI/KBLI Chapter ▶ Page 746

Part No.	d1 E10	d2	d3	d4	C1	B	h1	l1	l2	W	Max. pivot angle	
Right-hand thread	Left-hand thread											
KBRI-03	KBLI-03	.1900	.625	10-32	.406	.246	.312	1.062	.500	1.374	.312	25°
KBRI-04	KBLI-04	.2500	.750	1/4-28	.469	.272	.365	1.312	.687	1.687	.375	25°
KBRI-05	KBLI-05	.3125	.875	5/16-24	.500	.340	.437	1.375	.687	1.813	.437	25°
KBRI-06	KBLI-06	.3750	1.00	3/8-24	.687	.394	.500	1.625	.812	2.125	.562	22°
KBRI-07	KBLI-07	.4375	1.125	7/16-20	.750	.456	.562	1.812	.937	2.374	.625	22°
KBRI-08	KBLI-08	.5000	1.312	1/2-20	.875	.487	.625	2.125	1.062	2.781	.750	22°
KBRI-10	KBLI-10	.6250	1.50	5/8-18	1.00	.545	.750	2.50	1.375	3.25	.875	22°
KBRI-12	KBLI-12	.7500	1.75	3/4-16	1.125	.676	.875	2.875	1.562	3.75	1.00	22°
KBRI-16	KBLI-16	1.00	2.75	1-12	1.625	1.00	1.375	4.125	2.125	5.50	1.500 ^{1B)}	20°

^{1B)} Spanner flat design

Part No.	Max. static tensile strain		Max. axial force		Min. thread depth	Max. tightening torque	Max. tightening torque through ball	Weight	
Right-hand thread	Left-hand thread	Short-term [N]	Long-term [N]	Short-term [N]	Long-term [N]	Thread [inch]	Female thread [Nm]	[g]	
KBRI-03	KBLI-03	900	450	300	150	.350	2	3	3.3
KBRI-04	KBLI-04	1.100	550	400	200	.480	5	4	5.1
KBRI-05	KBLI-05	1.700	850	500	250	.480	6	10	7.1
KBRI-06	KBLI-06	2.000	1.000	1.000	500	.568	7	15	12.6
KBRI-07	KBLI-07	2.300	1.150	1.200	600	.655	18	25	16.1
KBRI-08	KBLI-08	2.600	1.300	1.500	750	.743	23	35	26.5
KBRI-10	KBLI-10	4.900	2.450	1.700	850	.962	30	50	38.7
KBRI-12	KBLI-12	5.600	2.800	2.300	1.150	1.093	40	70	54.4
KBRI-16	KBLI-16	6.000	3.000	2.600	1.300	1.488	46	85	197.5

Pillow block bearings: KSTI



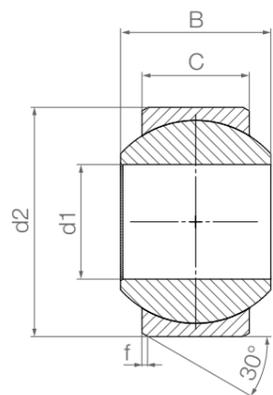
KSTI Chapter ▶ Page 792

Part No.	d1 E10	B	C1	h1	h2	m	a	h3	d2	X2	Max. pivot angle
KSTI-03	.1900	.312	.234	.290	.566	1.00	1.40	.165	.137	.200	25°
KSTI-04	.2500	.375	.250	.390	.705	1.25	1.75	.205	.137	.250	25°
KSTI-05	.3125	.437	.312	.430	.824	1.35	1.95	.236	.150	.280	25°
KSTI-06	.3750	.500	.359	.550	1.022	1.80	2.40	.376	.180	.300	22°
KSTI-07	.4375	.562	.406	.570	1.082	1.85	2.50	.315	.205	.330	22°
KSTI-08	.5000	.625	.453	.600	1.191	2.00	2.80	.354	.205	.380	22°
KSTI-10	.6250	.750	.484	.700	1.409	2.30	3.35	.413	.205	.470	22°
KSTI-12	.7500	.875	.593	.860	1.687	2.70	3.75	.472	.270	.530	22°
KSTI-16	1.00	1.375	1.005	1.10	2.163	3.50	5.00	.630	.520	.680	20°

Part No.	Max. static tensile strain		Max. axial static compressive force [N]	Max. tightening torque for longitudinal holes [Nm]	Weight [g]
	Short-term [N]	Long-term [N]			
KSTI-03	550	275	300	0.6	1.7
KSTI-04	600	300	300	0.6	2.8
KSTI-05	800	400	400	0.8	4.5
KSTI-06	1.000	500	500	1.3	7.5
KSTI-07	1.100	550	600	2.5	9.7
KSTI-08	1.200	600	600	2.5	13.5
KSTI-10	2.100	1.050	800	2.5	21.5
KSTI-12	3.100	1.550	1.200	4.5	33.4
KSTI-16	5.400	2.700	1.600	10.5	85.8

The maximum tightening torques for elongated holes correspond to the permissible tightening torque of the fixing screws (fixing category 5.8).

Spherical bearings: KGLI

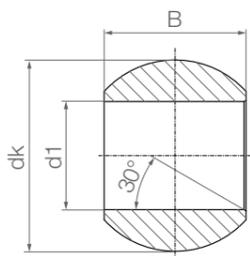


KGLI Chapter ▶ Page 822

Part No.	Max. static load		Max. tightening torque through ball [Nm]	d1 E10	d2	B	C	f	Max. pivot angle	Weight [g]
	radial [N]	axial ²⁹⁾ [N]								
KGLI-03	1.000	150	5	.1900	.5625	.312	.218	0.3	34°	1.2
KGLI-04	1.500	250	10	.2500	.6562	.375	.250	0.3	30°	1.7
KGLI-05	2.000	350	12	.3125	.7500	.437	.281	0.3	29°	2.6
KGLI-06	2.800	400	20	.3750	.8125	.500	.312	0.5	25°	3.3
KGLI-07	3.750	450	30	.4375	.9375	.562	.343	0.5	25°	4.9
KGLI-08	4.250	500	35	.5000	1.0625	.625	.390	0.5	25°	7.1
KGLI-10	5.300	750	40	.6250	1.1875	.750	.500	0.5	23°	10.2
KGLI-12	8.500	850	55	.7500	1.4375	.875	.593	0.5	23°	17.5
KGLI-16	13.600	2.500	65	1.00	2.125	1.375	1.005	0.5	23°	62.7

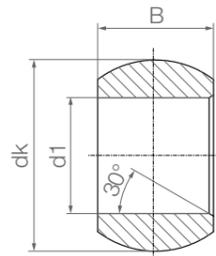
²⁹⁾ The maximum static axial load is determined when fitted into a blind housing

Standard spherical balls: WKI and WEI



WKI Chapter ▶ Page 845

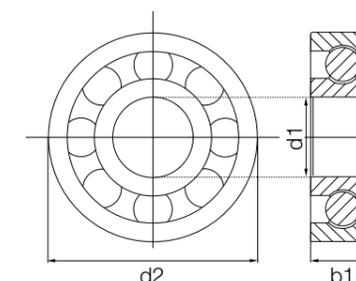
Part No.	d1 E10	dK	B	Weight [g]
WKI-03	.1900	.444	.312	0.6
WKI-04	.2500	.516	.375	1.0
WKI-05	.3125	.625	.437	1.7
WKI-06	.3750	.718	.500	2.3
WKI-07	.4375	.828	.562	3.5
WKI-08	.5000	.938	.625	5.0
WKI-10	.6250	1.125	.750	8.2
WKI-12	.7500	1.312	.875	12.5
WKI-16	1.00	1.75	1.375	31.7



WEI Chapter ▶ Page 845

Part No.	d1 H10	dK	B	Weight [g]
WEI-03	.1900	.402	.1900	0.3
WEI-04	.2500	.402	.2500	0.3
WEI-05	.3125	.520	.3125	0.7
WEI-06	.3750	.630	.3750	1.3
WEI-07	.4375	.709	.4063	1.6
WEI-08	.5000	.709	.4063	2.6
WEI-10	.6250	.945	.5000	3.1
WEI-12	.7500	1.138	.6250	5.9
WEI-16	1.00	1.398	.7500	9.2

Radial deep groove ball bearings, up to +80°C



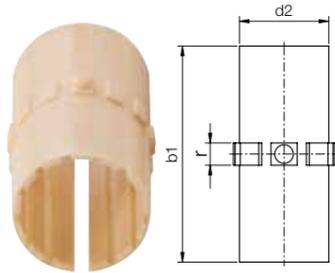
xirodur® B180 Chapter ▶ Page 886

Part No.	Race	Cage	Balls		Inner Ø d1	Outer Ø d2	Width b1
			ES	GL			
BB-I-0620-06-B180-10-□ ¹⁴²⁾	B180	PA	1.4401	Glass	3/16	5/8	10/51
BB-I-0820-06-B180-10-ES	B180	PA	1.4401	-	1/4	5/8	10/51
BB-I-0824-07-B180-10-□ ¹⁴²⁾	B180	PA	1.4401	Glass	1/4	3/4	7/32
BB-I-1228-09-B180-10-ES	B180	PA	1.4401	-	3/8	7/8	5/16
BB-I-1236-12-B180-10-□ ¹⁴²⁾	B180	PA	1.4401	Glass	3/8	1 1/8	3/8
BB-I-1636-12-B180-10-□ ¹⁴²⁾	B180	PA	1.4401	Glass	1/2	1 1/8	3/8
BB-I-2044-12-B180-10-□ ¹⁴²⁾	B180	PA	1.4401	Glass	5/8	1 3/8	3/8
BB-I-2452-16-B180-10-□ ¹⁴²⁾	B180	PA	1.4401	Glass	3/4	1 5/8	1/2
BB-I-3264-12-B180-10-□ ¹⁴²⁾	B180	PA	1.4401	Glass	1	2	1/2

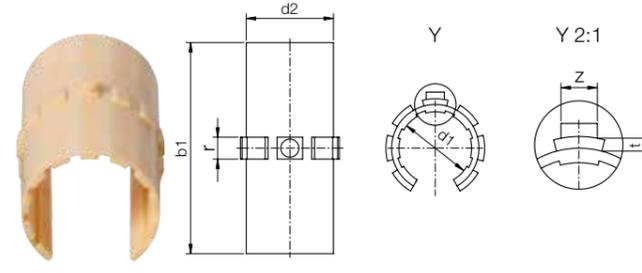
¹⁴²⁾ For ball bearings with stainless steel balls please add suffix "-ES", for glass balls please add suffix "-GL".

Part No.	Max. stat. axial load capacity [N]	Load capacity		Max. speed [rpm]	Weight	
		stat. [N]	dyn. [N]		ES [g]	GL [g]
BB-I-0620-06-B180-ES/-GL	35	45	49	3.700	1.6	1.0
BB-I-0820-06-B180-ES	40	47	51	3.500	1.3	-
BB-I-0824-07-B180-ES/-GL	50	60	75	3.200	1.6	1.0
BB-I-1228-09-B180-ES	55	70	89	2.200	3.9	-
BB-I-1236-12-B180-ES/-GL	75	134	150	1.050	4.9	2.9
BB-I-1636-12-B180-ES/-GL	75	134	150	2.000	7.6	5.2
BB-I-2044-12-B180-ES/-GL	78	170	193	1.600	11.0	7.9
BB-I-2452-16-B180-ES/-GL	81	260	290	1.400	20.1	13.6
BB-I-3264-12-B180-ES/-GL	85	275	320	1.050	27.3	21.3

Closed, long design: JUI



Open, long design: JUJO

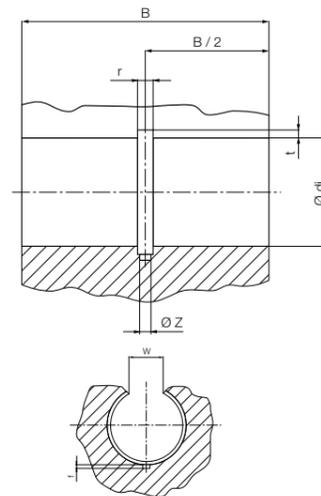


JUI-01/JUJO-01 Chapter ▶ Page 1080

Part No.	Shaft	Tolerance ⁷⁸⁾	d2	b1	r	t	z	
Closed	Open	Ø				-0.004	-0.020	
JUI-01-06	-	3/8	+0.0016 +0.0024	0.4684	0.846	0.1250	0.024	0.0866
JUI-01-08	JUJO-01-08	1/2	+0.0016 +0.0024	0.5934	1.220	0.1250	0.032	0.1024
JUI-01-10	JUJO-01-10	5/8	+0.0016 +0.0024	0.7184	1.460	0.1406	0.032	0.1181
JUI-01-12	JUJO-01-12	3/4	+0.0016 +0.0024	0.8747	1.575	0.1875	0.032	0.1339
JUI-01-16	JUJO-01-16	1	+0.0016 +0.0024	1.1247	2.205	0.1875	0.032	0.1496
JUI-01-20	JUJO-01-20	1 1/4	+0.0020 +0.0032	1.4058	2.579	0.1875	0.032	0.1496
JUI-01-24	JUJO-01-24	1 1/2	+0.0020 +0.0032	1.6558	2.953	0.2500	0.052	0.1811
JUI-01-32	JUJO-01-32	2	+0.0024 +0.0040	2.1871	3.937	0.2813	0.052	0.2280

Housing hole for liner JUI-01/JUJO-01

Part No.	di	B	W	r	t	f	z		
Closed	Open	H7	h10	+0.008	0.002	0.004	0.002	0.008	
		Min.	Max.						
JUI-01-06	-	.4680	.4684	.875	-	.1250	0.0311	.039	.102
JUI-01-08	JUJO-01-08	.5940	.5934	1.25	0.394	.1250	0.0391	.059	.122
JUI-01-10	JUJO-01-10	.7190	.7184	1.5	0.433	.1406	0.0391	.067	.142
JUI-01-12	JUJO-01-12	.8755	.8747	1.625	0.492	.1875	0.0391	.079	.142
JUI-01-16	JUJO-01-16	1.1255	1.1247	2.25	0.63	.1875	0.0391	.079	.161
JUI-01-20	JUJO-01-20	1.4068	1.4058	2.625	0.709	.1875	0.0391	.079	.161
JUI-01-24	JUJO-01-24	1.6568	1.6558	3	0.866	.2500	0.0652	.089	.200
JUI-01-32	JUJO-01-32	2.1881	2.1871	4	1.181	.2813	0.0652	.098	.240



⁷⁸⁾ According to igus® testing method ▶ Page 1146
Please note: Installation instructions ▶ Page 1079

Part No.	d1	d2	b1	r	t	z
E7UI-01-08	1/2	0.5934	1.22	0.125	0.0391	0.1024
E7UI-01-10	5/8	0.7184	1.46	0.146	0.0391	0.1181
E7UI-01-12	3/4	0.8747	1.575	1.575	0.0391	0.1339
E7UI-01-16	1	1.1247	2.205	2.205	0.0391	0.1496
E7UI-01-20	1 1/4	1.4058	2.579	2.579	0.0391	0.1496
E7UI-01-24	1 1/2	1.6558	2.953	2.953	0.0625	0.1811
E7UI-01-32	2	2.1871	3.937	3.937	0.0625	0.228

JUI can be combined with:



RJUI-01, RJUI-03,
TJUI-01, TJUI-03

▶ Page 1615 and 1616

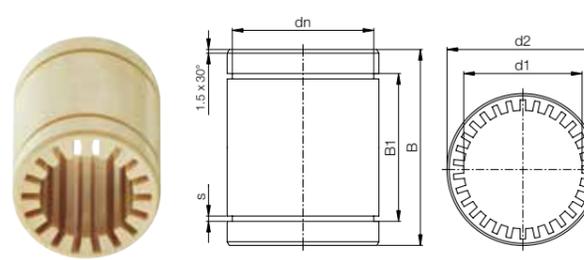
JUIO can be combined with:



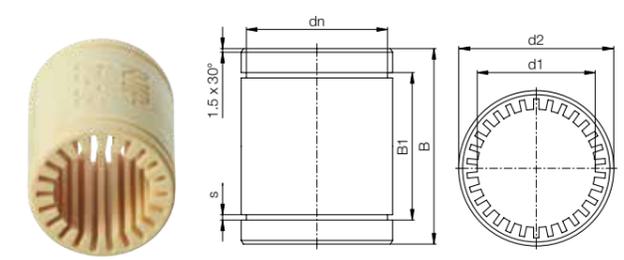
OJUI-01, OJUI-03

▶ Page 1614

Standard design: RJJ



Precise: RJIP



RJI-01/RJIP-01 Chapter ▶ Page 1102

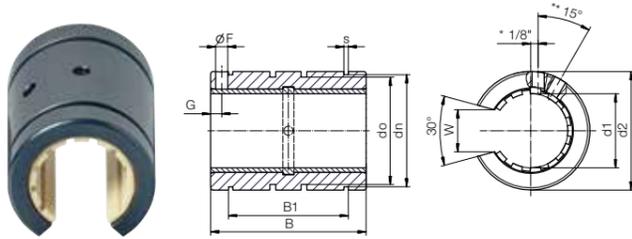
Part No.	Shaft	Tolerance ⁷⁸⁾	Tolerance ⁷⁸⁾	F max.	F max.	
Standard	Precise	Bearing inner diameter	Bearing inner diameter	dynamic ⁸²⁾	static ⁸²⁾	
		- RJI	- RJIP	P = 2.5MPa	P = 17.5MPa	
-	RJIP-01-04	1/4	-	+ 0.00 +0.0014	180	1.267
RJI-01-06	RJIP-01-06	3/8	+0.0010 +0.0024	+ 0.00 +0.0014	265	1.855
RJI-01-08	RJIP-01-08	1/2	+0.0013 +0.0030	+ 0.00 +0.0017	505	3.535
RJI-01-10	RJIP-01-10	5/8	+0.0013 +0.0030	+ 0.00 +0.0017	755	5.285
RJI-01-12	RJIP-01-12	3/4	+0.0016 +0.0036	+ 0.00 +0.0020	982	6.877
RJI-01-16	RJIP-01-16	1	+0.0016 +0.0036	+ 0.00 +0.0020	1.815	12.705

Part No.	d1	d2	B	B1	s	dn	
Standard	Precise						
-	RJIP-01-04	1/4	0.4999	0.74803	0.5188	0.0409	0.4669
RJI-01-06	RJIP-01-06	3/8	0.6250	0.87500	0.6890	0.0410	0.5870
RJI-01-08	RJIP-01-08	1/2	0.8750	1.25000	1.0125	0.0480	0.8200
RJI-01-10	RJIP-01-10	5/8	1.1250	1.50000	1.0950	0.0580	1.0600
RJI-01-12	RJIP-01-12	3/4	1.2500	1.62500	1.2500	0.0580	1.1770
RJI-01-16	RJIP-01-16	1	1.5625	2.25000	1.8640	0.0700	1.4710
RJI-01-20	RJIP-01-20	1 1/4	2.0000	2.62500	1.9840	0.0700	1.8890

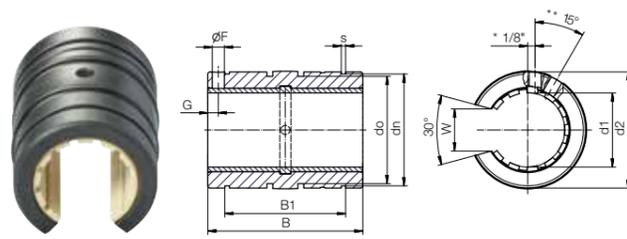
⁷⁸⁾ According to igus® testing method ▶ Page 1146, ⁸²⁾ Design tips ▶ Page 1078

Please note: Installation instructions ▶ Page 1079

Open, anodised aluminium adapters –
01 version (standard)



Open, anodised aluminium adapters –
03 version (floating bearing)

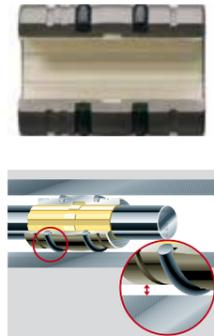


OJUI-01/OJUI-03

Chapter ▶ Page 1115

Part No.	Shaft Ø	Tolerance ⁷⁸⁾	d2	B	W ±0.012
OJUI-01-08/-03-08	1/2	+0.0016 +0.0032	.8750/.8673	1.25/1.2461	.3940
OJUI-01-10/-03-10	5/8	+0.0016 +0.0032	1.125/1.1173	1.50/1.4961	.4330
OJUI-01-12/-03-12	3/4	+0.0016 +0.0032	1.25/1.2421	1.625/1.6173	.4920
OJUI-01-16/-03-16	1	+0.0016 +0.0032	1.5625/1.5547	2.25/2.2421	.6300
OJUI-01-20/-03-20	1 1/4	+0.0020 +0.0041	2.00/1.9881	2.625/2.6173	.7090
OJUI-01-24/-03-24	1 1/2	+0.0020 +0.0041	2.375/2.3634	3.00/2.9921	.8660
OJUI-01-32/-03-32	2	+0.0024 +0.0051	3.00/2.988	4.00/3.9921	1.181

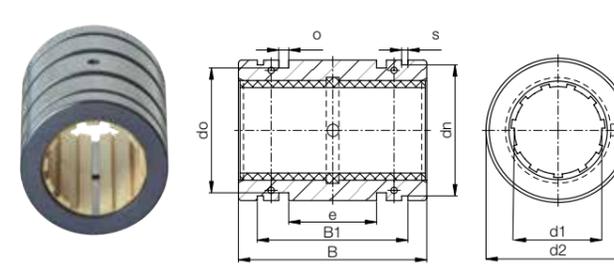
Part No.	s	dn h10	B1	F +0.004	G +0.004	do
OJUI-01-08/-03-08	.0520	.8200	.9790/.9870	.1360	.6250	.6846
OJUI-01-10/-03-10	.0620	1.0600	1.124/1.136	.1360	.1250	.9346
OJUI-01-12/-03-12	.0620	1.177	1.186/1.198	.1360	.1250	1.0590
OJUI-01-16/-03-16	.0740	1.471	1.773/1.789	.1360	.1250	1.372
OJUI-01-20/-03-20	.0740	1.889	2.0230/2.0390	.2010	.1875	1.8094
OJUI-01-24/-03-24	.0950	2.241	2.44/2.463	.2010	.1875	2.113
OJUI-01-32/-03-32	.1110	2.839	3.222/3.249	.2650	.3125	2.7378



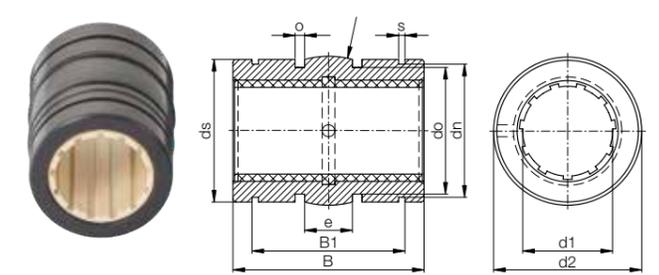
⁷⁸⁾ According to igus® testing method ▶ Page 1146

Please note: Installation instructions ▶ Page 1079

Closed, anodised aluminium adapters –
01 version (standard)



Closed, anodised aluminium adapters –
03 version (floating bearing)

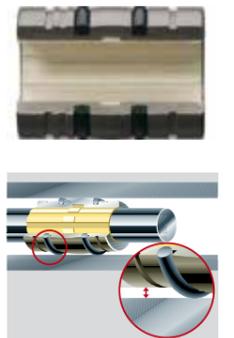


RJUI-01/RJUI-03

Chapter ▶ Page 1106

Part No.	Shaft Ø	Tolerance ⁷⁸⁾	d2	B	B1
RJZI-01-04 ¹¹⁰⁾ /-03-04 ¹¹⁰⁾	1/4	+0.0016 +0.0032	.5000/.4921	.7500/.7460	.5190/.5270
RJUI-01-06/-03-06	3/8	+0.0016 +0.0032	.6250/.6173	.8750/.8713	.6440/.6520
RJUI-01-08/-03-08	1/2	+0.0016 +0.0032	.8750/.8673	1.25/1.2461	.9790/.9870
RJUI-01-10/-03-10	5/8	+0.0016 +0.0032	1.125/1.1173	1.50/1.4961	1.124/1.136
RJUI-01-12/-03-12	3/4	+0.0016 +0.0032	1.25/1.2421	1.625/1.6173	1.186/1.198
RJUI-01-16/-03-16	1	+0.0016 +0.0032	1.5625/1.5547	2.25/2.2421	1.773/1.789
RJUI-01-20/-03-20	1 1/4	+0.0020 +0.0041	2.00/1.9881	2.625/2.6173	2.0230/2.0390
RJUI-01-24/-03-24	1 1/2	+0.0020 +0.0041	2.375/2.3634	3.00/2.9921	2.44/2.463
RJUI-01-32/-03-32	2	+0.0024 +0.0051	3.00/2.9881	4.00/3.9921	3.222/3.249

Part No.	s H10	dn h10	ds h10	do	e	o -0.004
RJZI-01-04 ¹¹⁰⁾ /-03-04 ¹¹⁰⁾	.0410	.4670	.4803	.3990	.125	.0800
RJUI-01-06/-03-06	.0410	.5870	.6055	.5240	.243	.0800
RJUI-01-08/-03-08	.0520	.8200	.8556	.7120	.281	.1250
RJUI-01-10/-03-10	.0620	1.0600	1.1055	.9620	.312	.1250
RJUI-01-12/-03-12	.0620	1.177	1.23	1.0870	.312	.1250
RJUI-01-16/-03-16	.0740	1.471	1.5271	1.399	.500	.1250
RJUI-01-20/-03-20	.0740	1.889	1.9606	1.837	.625	.1250
RJUI-01-24/-03-24	.0950	2.241	2.3358	2.152	.650	.1620
RJUI-01-32/-03-32	.1110	2.839	2.9606	2.775	1.00	.1890



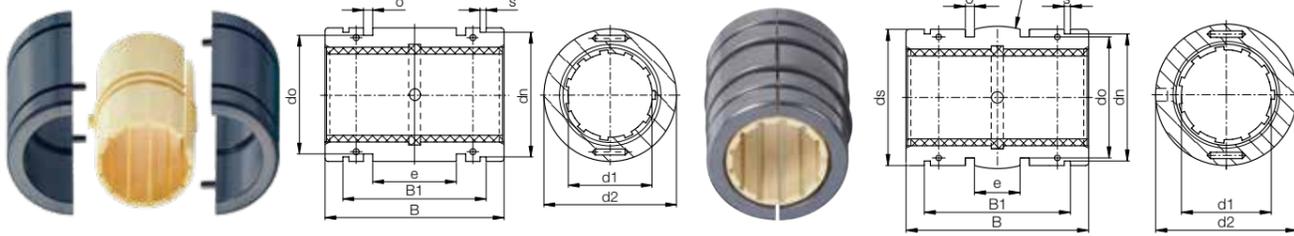
⁷⁸⁾ According to igus® testing method ▶ Page 1146

¹¹⁰⁾ Nominal width smaller than 3/8" are delivered with sleeve bearings

Please note: Installation instructions ▶ Page 1079

Split aluminium adapters –
01 version (standard)

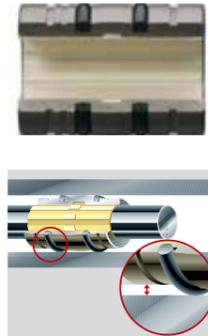
Split aluminium adapters –
03 version (floating bearing)



TJUI-01/TJUI-03 Chapter ▶ Page 1113

Part No.	Shaft Ø	Tolerance ⁷⁸⁾	d2	d2 Tolerance ⁷⁸⁾	B	B1 H10
TJUI-01-08/-03-08	1/2	+0.0016 +0.0036	.8750	-0.0008 -0.0016	1.25/1.242	.9790
TJUI-01-10/-03-10	5/8	+0.0016 +0.0036	1.125	-0.0008 -0.0016	1.50/1.492	1.124
TJUI-01-12/-03-12	3/4	+0.0016 +0.0036	1.25	-0.0008 -0.0018	1.625/1.617	1.186
TJUI-01-16/-03-16	1	+0.0016 +0.0036	1.5625	-0.0012 -0.0022	2.25/2.2382	1.773
TJUI-01-20/-03-20	1 1/4	+0.0020 +0.0039	2.00	-0.0012 -0.0022	2.625/2.6134	2.0230
TJUI-01-24/-03-24	1 1/2	+0.0020 +0.0047	2.375	-0.0012 -0.0024	3.00/2.9843	2.44
TJUI-01-32/-03-32	2	+0.0024 +0.0057	3.00	-0.0012 -0.0024	4.00/3.9803	3.222

Part No.	s H10	dn h10	ds h10	do	e	o +0.008
TJUI-01-08/-03-08	.0520	.8200	0.8563	.7120	.281	.1250
TJUI-01-10/-03-10	.0620	1.0600	1.1039	.9620	.312	.1250
TJUI-01-12/-03-12	.0620	1.177	1.2276	1.0870	.312	.1250
TJUI-01-16/-03-16	.0740	1.471	1.535	1.399	.500	.1250
TJUI-01-20/-03-20	.0740	1.889	1.9654	1.837	.625	.1250
TJUI-01-24/-03-24	.0950	2.241	2.337	2.152	.650	.1620
TJUI-01-32/-03-32	.1110	2.839	2.9531	2.775	1.00	.1890



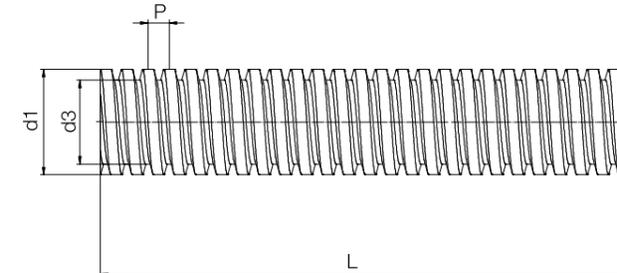
⁷⁸⁾ According to igus® testing method ▶ Page 1146

Please note: Installation instructions ▶ Page 1079

Lead screws – "ACME" USA standard



Stainless steel, rolled, AISI 304



Technical data

Pitch variation	0.25mm to 300mm
Straightness (standard)	0.625mm to 300mm
Aligned	<0.1mm to 300mm
Tolerance (ANSI/ASME B1.5)	Class 2C

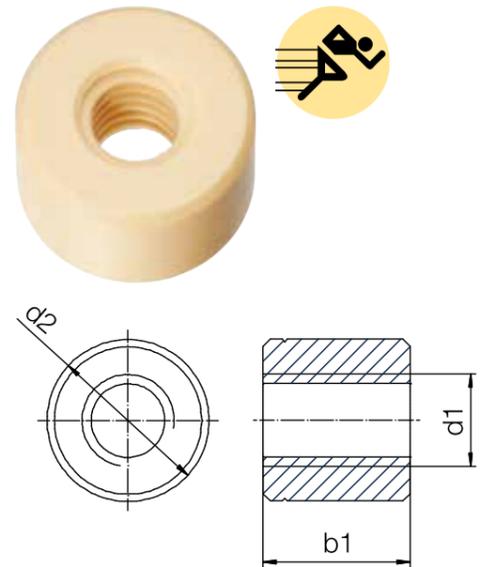
Technical data

Thread	Hand of rotation right	Pitch P [mm]	Number of thread pitches per inch	Pitch angle	Weight [lb]	Part No.
1/4-16	●	1.59	16	4.56°	0.25	ACME-1/4-16-R-ES
3/8-20	●	1.27	20	2.43°	0.56	ACME-3/8-20-R-ES
3/8-12	●	2.12	12	4.03°	0.56	ACME-3/8-12-R-ES
3/8-10	●	2.54	10	4.85°	0.56	ACME-3/8-10-R-ES
1/2-10	●	2.54	10	3.64°	1.00	ACME-1/2-10-R-ES
5/8-8	●	3.18	8	3.65°	1.60	ACME-5/8-8-R-ES
3/4-10	●	2.54	10	4.04°	2.25	ACME-3/4-10-R-ES
3/4-6	●	4.23	6	2.43°	2.25	ACME-3/4-6-R-ES
1-10	●	2.54	10	3.64°	4.00	ACME-1-10-R-ES
1-5	●	3.08	5	1.82°	4.00	ACME-1-5-R-ES

Dimensions

Outer Ø		Core Ø		Max. length [mm]	Part No.
d1 [mm]	d1 [inch]	d3 [mm]	d3 [inch]		
6.35	0.250	4.80	0.187	1.829	ACME-1/4-16-R-ES
9.52	0.375	8.30	0.325	1.829	ACME-3/8-20-R-ES
9.52	0.375	7.40	0.292	1.829	ACME-3/8-12-R-ES
9.52	0.375	7.00	0.275	1.829	ACME-3/8-10-R-ES
12.70	0.500	10.2	0.400	1.829	ACME-1/2-10-R-ES
15.87	0.625	12.7	0.500	1.829	ACME-5/8-8-R-ES
19.05	0.750	14.9	0.585	1.829	ACME-3/4-10-R-ES
19.05	0.750	16.5	0.650	1.829	ACME-3/4-6-R-ES
25.40	1.000	20.3	0.800	1.829	ACME-1-10-R-ES
25.40	1.000	22.9	0.900	1.829	ACME-1-5-R-ES

Lead screw nuts – "ACME" USA standard, iglidur® J (standard)



Technical data – iglidur® J

Thread	Efficiency η	Idling torque ¹¹⁸⁾ [Nm]	Coefficient of friction μ
1/4-16	24-44	0.0029	0.1-0.25
3/8-20	14-30	0.0034	0.1-0.25
3/8-12	22-41	0.0041	0.1-0.25
3/8-10	25-46	0.0044	0.1-0.25
1/2-10	20-39	0.0052	0.1-0.25
5/8-8	20-39	0.0065	0.1-0.25
3/4-6	22-41	0.0082	0.1-0.25
3/4-10	14-30	0.0068	0.1-0.25
1-5	20-39	0.0105	0.1-0.25
1-10	11-24	0.0084	0.1-0.25

¹¹⁸⁾ Theoretical idling torque assuming the best coefficient of friction at a 5N load

Technical data and dimensions – cylindrical lead screw nuts

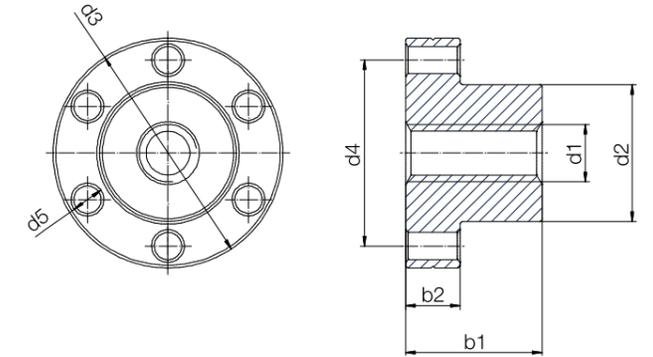
Thread	Hand of rotation right	Effective support surface [mm²]	Max. stat. axial F [N]	d1 [inch]	d2 [inch]	b1 [inch]	Weight [lb]	Part No.
1/4-16	●	111	200	0.250	0.625	0.500	0.006–0.007	JSRI-01-1/4-16
3/8-20	●	256	1.024	0.380	0.875	0.750	0.016–0.020	JSRI-01-3/8-20
3/8-12	●	254	1.018	0.380	0.875	0.750	0.016–0.020	JSRI-01-3/8-12
3/8-10	●	245	980	0.380	0.875	0.750	0.016–0.020	JSRI-01-3/8-10
1/2-10	●	449	1.796	0.500	1.000	1.000	0.026–0.032	JSRI-01-1/2-10
5/8-8	●	568	2.272	0.630	1.375	1.000	0.053–0.063	JSRI-01-5/8-8
3/4-10	●	913	3.652	0.750	1.500	1.375	0.080–0.096	JSRI-01-3/4-10
3/4-6	●	978	3.912	0.750	1.500	1.375	0.080–0.096	JSRI-01-3/4-6
1-10	●	1.830	7.320	1.000	2.000	2.000	0.212–0.255	JSRI-01-1-10
1-5	●	1.896	7.584	1.000	2.000	2.000	0.212–0.255	JSRI-01-1-5

Full product range online
Split lead screw nuts made from 5 iglidur® materials
► www.igus.eu/ACME-thread

<p>igidur® J: High efficiency at all speeds</p>	<p>igidur® W300: Highly resilient and wear-resistant</p>	<p>igidur® J350: For temperatures up to +150°C</p>	<p>igidur® R: The cost-effective option for high volume</p>	<p>igidur® A180: FDA-compliant for the food and pharmaceutical industries</p>
---	--	--	---	---



High efficiency at all speeds



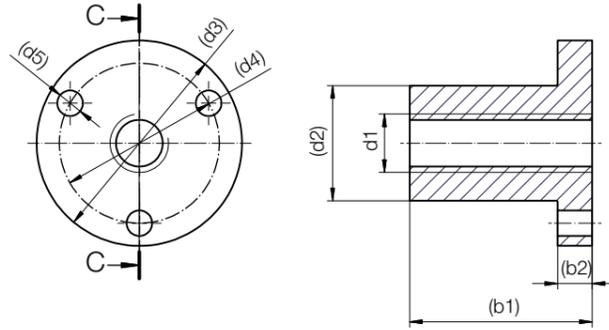
Technical data – with flange

Thread	Hand of rotation right	Effective support surface [mm²]	Max. stat. axial F [N] J/A180/R/J350/W300	Part No.
1/4-16	●	111	111	JFRI-01-1/4-16
3/8-20	●	341	1.364	JFRI-01-3/8-20
3/8-12	●	327	1.320	JFRI-01-3/8-12
3/8-10	●	326	1.304	JFRI-01-3/8-10
1/2-10	●	618	2.472	JFRI-01-1/2-10
5/8-8	●	781	3.124	JFRI-01-5/8-8
3/4-10	●	913	3.652	JFRI-01-3/4-10
3/4-6	●	978	3.912	JFRI-01-3/4-6
1-10	●	1.601	6.404	JFRI-01-1-10
1-5	●	1.659	6.636	JFRI-01-1-5

Dimensions – with flange

d1 [inch]	d2 [inch]	d3 [inch]	d4 [inch]	d5 [inch]	b1 [inch]	b2 [inch]	Weight [lb]	Part No.
J/A180/R/J350/W300								
0.250	0.500	1.000	0.750	0.130	0.500	0.200	0.008–0.010	JFRI-01-1/4-16
0.380	1.000	1.630	1.310	1.200	1.000	0.380	0.052–0.062	JFRI-01-3/8-20
0.380	1.000	1.630	1.310	0.200	1.000	0.380	0.052–0.062	JFRI-01-3/8-12
0.380	1.000	1.630	1.310	0.200	1.000	0.380	0.052–0.062	JFRI-01-3/8-10
0.500	1.125	1.880	1.000	0.240	1.380	0.500	0.080–0.097	JFRI-01-1/2-10
0.630	1.125	1.880	1.000	0.240	1.380	0.500	0.082–0.098	JFRI-01-5/8-8
0.750	1.125	1.880	1.500	0.240	1.380	0.500	0.072–0.087	JFRI-01-3/4-10
0.750	1.125	1.880	1.500	0.240	1.380	0.500	0.072–0.087	JFRI-01-3/4-6
1.000	1.500	2.500	2.000	0.280	1.750	0.590	0.160–0.192	JFRI-01-1-10
1.000	1.500	2.500	2.000	0.280	1.750	0.590	0.160–0.192	JFRI-01-1-5

High efficiency at all speeds



Technical data – with flange

Thread	Hand of rotation right	Effective support surface [mm²]	Max. stat. axial F [N]		Part No.
			J4		
1/4-16	●	111	175		J4FRI-C-01-1/4-16
3/8-10	●	341	1.352		J4FRI-C-01-3/8-10
3/8-12	●	327	1.318		J4FRI-C-01-3/8-12
3/8-20	●	326	1.320		J4FRI-C-01-3/8-20
1/2-10	●	674	3.136		J4FRI-C-01-1/2-10
5/8-8	●	852	3.902		J4FRI-C-01-5/8-8
3/4-6	●	1.328	6.739		J4FRI-C-01-3/4-6
3/4-10	●	1.423	6.385		J4FRI-C-01-3/4-10
1-5	●	1.830	6.385		J4FRI-C-01-1-5
1-10	●	1.896	6.385		J4FRI-C-01-1-10

Dimensions – with flange

d1	d2	d3	d4	d5	b1	b2	Weight	Part No.
[inch]	[mm²]	[mm²]	[mm²]	[mm²]	[mm²]	[mm²]	[lb]	
0.250	0.50	1.00	0.750	0.140	1.0	0.19	6.90	J4FRI-C-01-1/4-16
0.380	0.63	1.125	0.876	0.140	1.0	0.19	9.24	J4FRI-C-01-3/8-10
0.380	0.63	1.125	0.876	0.140	1.0	0.19	9.24	J4FRI-C-01-3/8-12
0.500	0.63	1.125	0.876	0.140	1.0	0.19	9.24	J4FRI-C-01-3/8-20
0.630	0.75	1.50	1.126	0.140	1.5	0.19	19.5	J4FRI-C-01-1/2-10
0.750	0.875	1.50	1.188	0.203	1.5	0.188	21.3	J4FRI-C-01-5/8-8
0.630	1.13	1.75	1.438	0.203	2.0	0.25	48.1	J4FRI-C-01-3/4-6
0.750	1.13	1.75	1.438	0.203	2.0	0.25	48.1	J4FRI-C-01-3/4-10
1.000	1/1.5	2.25	1.876	0.203	2.0	0.25	83.4	J4FRI-C-01-1-5
1.000	1/1.5	2.25	1.876	0.203	2.0	0.25	83.4	J4FRI-C-01-1-10

