


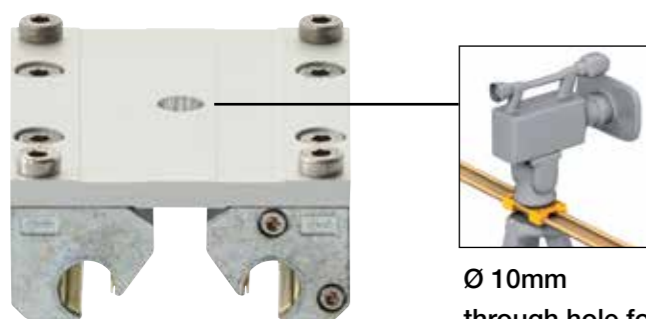
 Order key

Type      Dimensions      Design

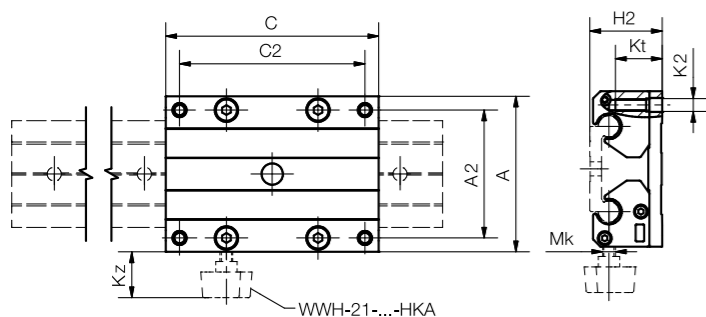
**WWH-21-10-40-10-SL**

drylin® W	Hybrid carriage	Double roller bearing	Installation size	Carriage length [mm]	Slider carriage
-----------	-----------------	-----------------------	-------------------	----------------------	-----------------

 Optional with manual clamp, suffix "-HKA"



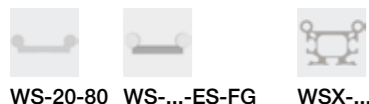
Ø 10mm  
through hole for  
3/8" thread for  
cameras



### Technical data and dimensions [mm]

Part No.	Weight [kg]	A Width	C Length	A2	C2	K2	Kt	H2	Static load capacity Coy [N]
WWH-21-10-40-10-SL	0.59	73	100	60	87	M6	21	34	1,400
WWH-21-10-40-15-SL	0.64	73	150	60	137	M6	21	34	1,400
WWH-21-10-40-20-SL	0.70	73	200	60	187	M6	21	34	1,400
WWH-21-10-80-10-SL	0.64	107	100	94	87	M6	21	34	1,400
WWH-21-10-80-15-SL	0.72	107	150	94	137	M6	21	34	1,400
WWH-21-10-80-20-SL	0.80	107	200	94	187	M6	21	34	1,400
WWH-21-16-60-10-SL	1.31	104	100	86	82	M8	29	49	2,400
WWH-21-16-60-15-SL	1.44	104	150	86	132	M8	29	49	2,400
WWH-21-16-60-20-SL	1.57	104	200	86	182	M8	29	49	2,400
WWH-21-20-80-15-SL	1.72	134	150	116	132	M8	24	57	3,360
WWH-21-20-80-20-SL	1.82	134	200	116	182	M8	24	57	3,360
WWH-21-20-80-25-SL	2.02	134	250	116	232	M8	24	57	3,360

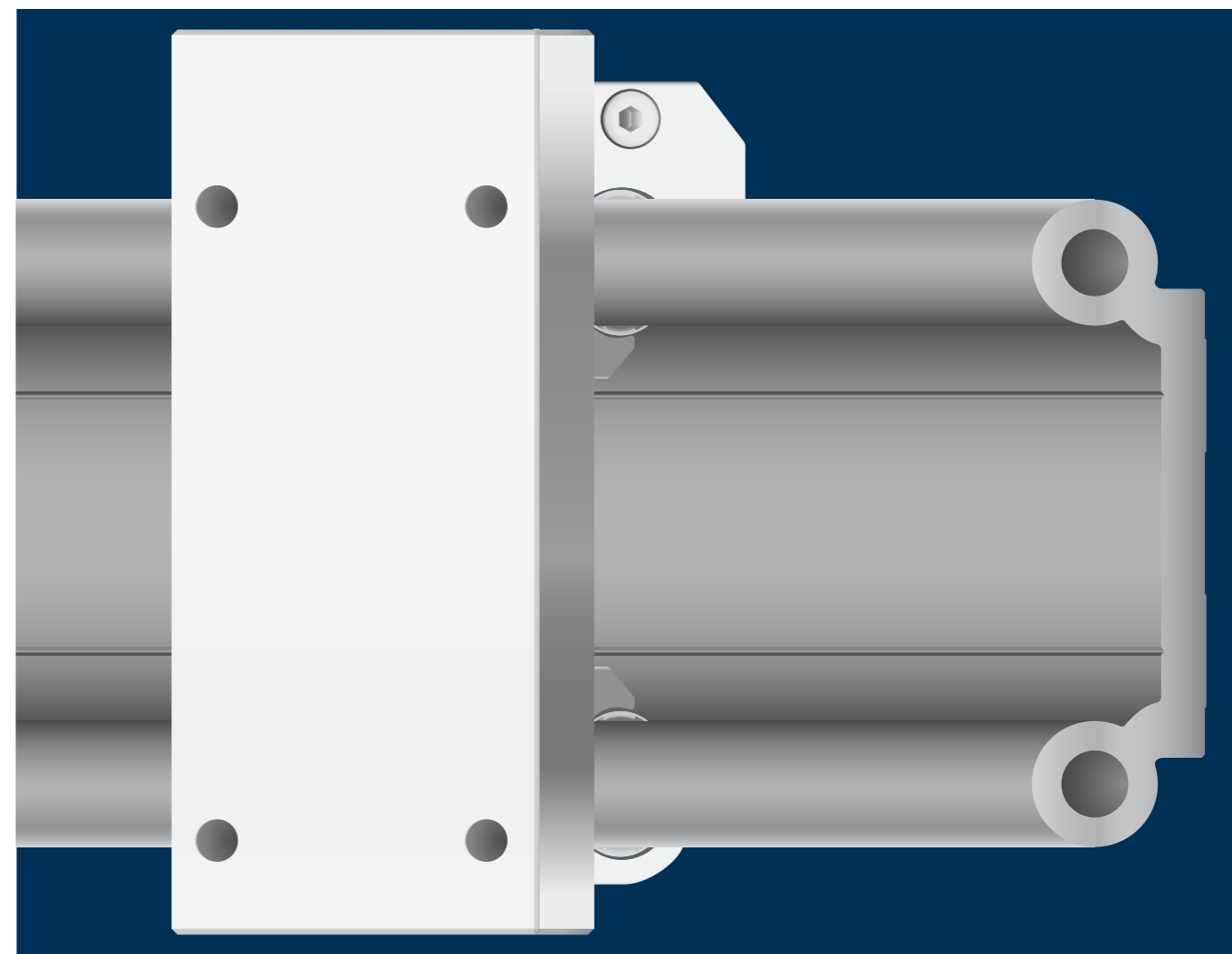
Can be combined with:



Can be combined with camera slider rails

► Page 1002

WS-20-80 WS-...-ES-FG WSX-...



## drylin® linear technology – drylin® W hybrid roller bearings

Lubrication-free roll and slide

Low drive force

For manual adjustment

Suitable for radial loads

Single bearings and complete carriages

