



TW-01-HKA

Complete system  
online

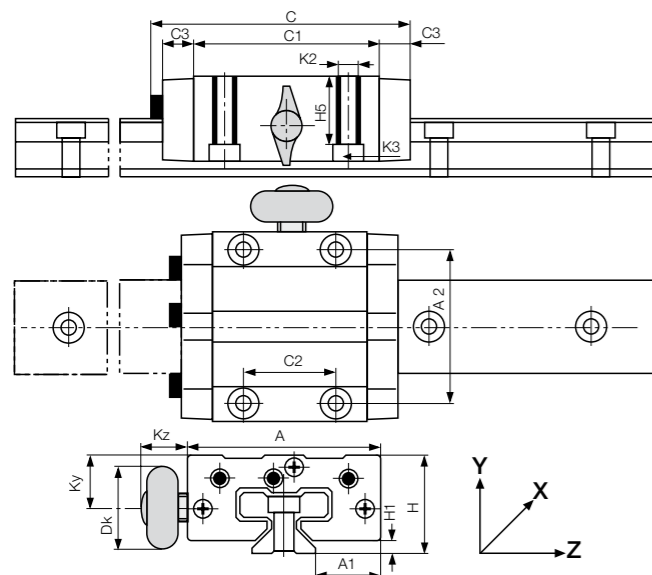
Order key

Type Options

TW-01-15-HKA

Guide carriage	Standard	Installation size	Manual clamp
----------------	----------	-------------------	--------------

Other dimensions as standard design  
TW-01-... ► Page 1063



Dimensions [mm]

Part No.	Size	Kz	Ky	Dk	Manual clamp thread
TW-01-15-HKA	15	19.0	11.5	20.0	M6
TW-01-20-HKA	20	18.0	15.0	28.0	M8
TW-01-25-HKA	25	17.0	19.0	28.0	M8
TW-01-30-HKA	30	20.0	21.5	28.0	M8

All elements can be ordered individually or as assembled systems

**TW-01-20-HKA:** Guide carriage with manually adjustable clearance, installation size 20 and manual clamp

**TK-01-20-HKA-2-500:** Complete system with two standard guide carriages type 01 with manual clamp, installation size 20 and standard guide rail, 500mm length

The manual clamp thread was developed for simple tasks. The creep behaviour of the clamped plastic causes a reduction in clamping force over time (up to 70%). Therefore no safety-relevant parts may be clamped. Please contact our technical consultant, if you require other options for the clamping.

Can be combined with:



TS-01-...

Technical data  
► Page 1059



TW-02

Complete system  
online

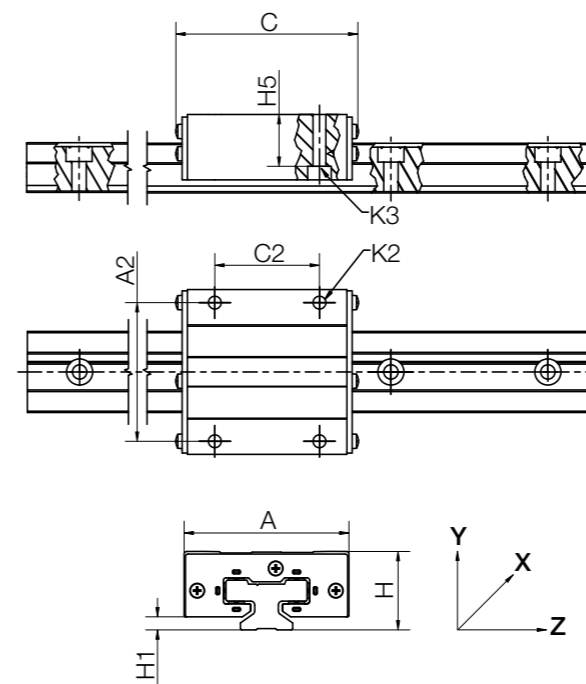
Order key

Type

TW-02-20

Guide carriage	Heavy duty	Installation size
----------------	------------	-------------------

Floating bearing upon request



Dimensions [mm]

Part No.	Weight [kg]	H ±0.35	H5	A	C	A2	C2	H1 ±0.35	K2	K3
TW-02-20	0.19	30	19.8	63	70	53	40	5.0	M6	M5
TW-02-25	0.29	36	24.8	70	77	57	45	5.0	M8	M6
TW-02-30	0.50	42	27.0	90	92	72	52	6.5	M10	M8

All elements can be ordered individually or as assembled systems

**TW-02-20:** Heavy duty guide carriage, installation size 20

**TK-02-20-2-500:** Complete system with two heavy duty guide carriages type 02, installation size 20 and standard guide rail, 500mm length

Can be combined with:



TS-01-...

Technical data  
► Page 1059