



Complete system



Order key

Type	Size	Options
NW - 01 - 27 - HT - LLY		
drylin® N Guide carriage	Type of carriage	Rail width
	High temperature	Floating bearing in y-direction

Type of carriage:
See selection aid

Options:
P: Pre-load
HT: High temperature
Floating bearing:
LLY: y-direction
LLZ: z-direction
LLYZ: yz-direction

Guide rail – dimensions [mm]

Part No.	L	a	C4	C5	C6	h	h1	K1 ⁷³⁾	ly	lz	Weight
	Max.			Min.	Max.				[mm²]	[mm²]	[g/m]
NS-01-27-□ ⁷²⁾	3,000	27	60	20	49.5	9	1.1	Ø4.5	6,524	588	290
NS-01-27-UNGEBOHRT-□ ⁷²⁾	3,000	27	-	-	-	9	1.1	-	6,524	588	290
NS-01-27-AR-□ ⁷²⁾	3,000	27	60	20	49.5	9	1.1	Ø4.5	6,524	588	290

Guide carriage – dimensions [mm]

Part No.	H	A	C	C1	C2	H2	K ⁷³⁾	K3 ⁷⁴⁾	M ⁷⁵⁾	Sp	Dp ¹⁵⁹⁾	Weight
	±0.35								[Nm]			[g]
NW-01-27	9.5	14.0	40	30	20	1.2	Ø4.5	-	-	-	-	10.8
NW-11-27	9.5	14.0	34	30	20	1.2	Ø4.5	-	-	-	-	10.8
NW-01-27-P	9.5	14.0	40	30	20	1.2	Ø4.5	-	-	-	-	10.8
NW-01-27-HT	9.5	14.0	40	30	20	1.2	Ø4.5	-	-	-	-	11.0
NW-02-27	9.5	14.0	40	30	20	-	-	M4	1.2	5.0	6.5	12.5
NW-12-27	9.5	14.0	34	30	20	-	-	M4	1.2	5.0	6.5	12.5
NW-02-27-P	9.5	14.0	40	30	20	-	-	M4	1.2	5.0	6.5	12.5
NW-02-27-HT	9.5	14.0	40	30	20	-	-	M4	-	5.0	6.5	13.0
NW-21-27-60-P	9.5	14.0	60	60	20	0.7	Ø4.5	-	-	-	-	9.0
NW-22-27-60-P	9.5	14.0	60	60	20	-	-	M4	1.2	5.0	6.5	12.0
NW-31-27-60-P	9.5	14.0	60	60	40	0.7	-	M4	-	-	-	9
NW-32-27-60-P	9.5	14.0	60	60	40	-	-	M4	1.2	5	6.5	12
NW-11-27-80	9.5	14.0	80	76	60	1.2	Ø4.5	-	-	-	-	25.0
NW-12-27-80	9.5	14.0	80	76	60	-	-	M4	1.2	5.0	6.5	25.0

⁷²⁾ Please give the required length in mm, symmetrical standard hole pattern C5=C6

⁷³⁾ For cap screw with low head (e.g. DIN 7984, DIN 6912, DIN 84, EN ISO 1707)

⁷⁴⁾ Metal thread ⁷⁵⁾ Max. screw tightening torque ¹⁵⁹⁾ Hole min. Ø

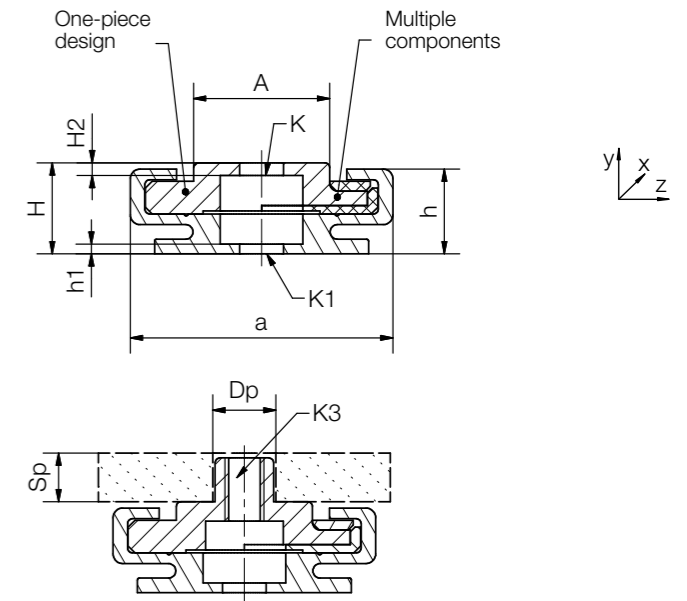
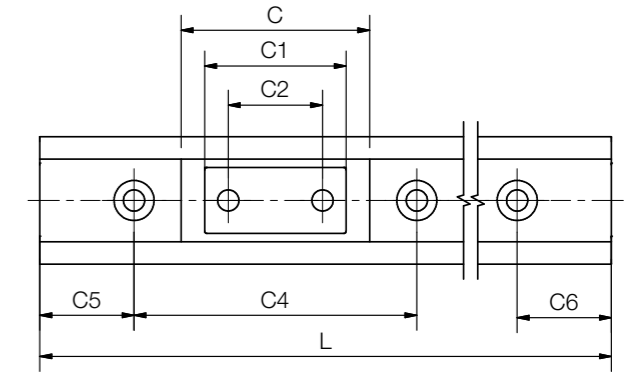
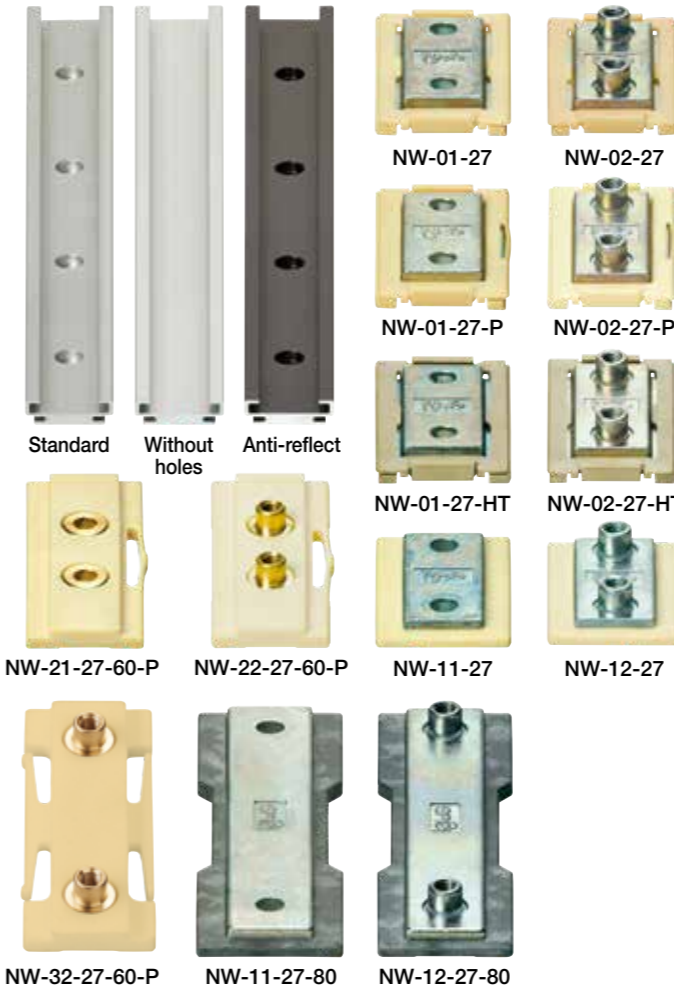


All elements can be ordered individually or as assembled systems

NS-01-27-1500: Guide rail, installation size 27, 1,500mm length

NW-02-27-P-LLY: Guide carriage with threaded pin, installation size 27, pre-load, floating bearing in y-direction

NK-02-27-02-500-LLY: Complete system with two clipped-on guide carriages with threaded pins, installation size 27, floating bearing in y-direction and 500mm guide rails with standard holes



Selection aid – guide carriage

Part No.	Single	Double	Through hole	Threaded pin	Threaded hole	Pre-load	Solid plastic	Clipped-on	Over-moulded	High temp.
NW-01-27	●		●					●		
NW-11-27	●		●						●	
NW-01-27-P	●		●			●		●		
NW-01-27-HT	●		●					●		●
NW-02-27	●			●				●		
NW-12-27	●			●					●	
NW-02-27-P	●			●		●		●		
NW-02-27-HT	●			●				●		●
NW-21-27-60-P	●		●			●	●			
NW-22-27-60-P	●			●		●	●			
NW-31-27-60-P	●		●			●	●			
NW-32-27-60-P	●			●		●	●			
NW-11-27-80		●	●						●	
NW-12-27-80		●		●					●	