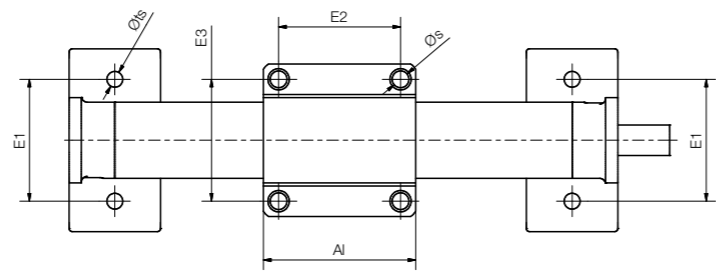
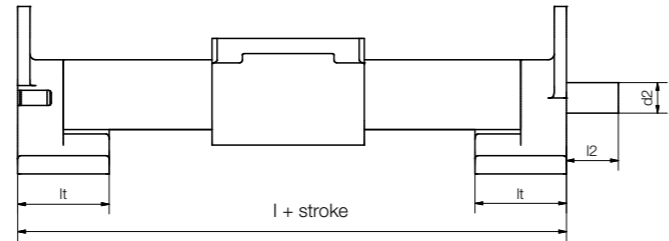
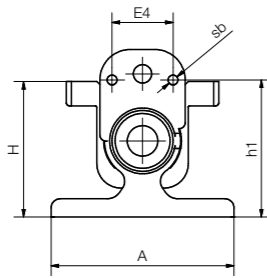




Order example

SETC-25-AWM

|          |           |                |
|----------|-----------|----------------|
| easytube | Dimension | Shaft material |
|----------|-----------|----------------|



- Lightweight
- Cost-effective
- Simplified assembly
- Light, clean and quiet

Technical data

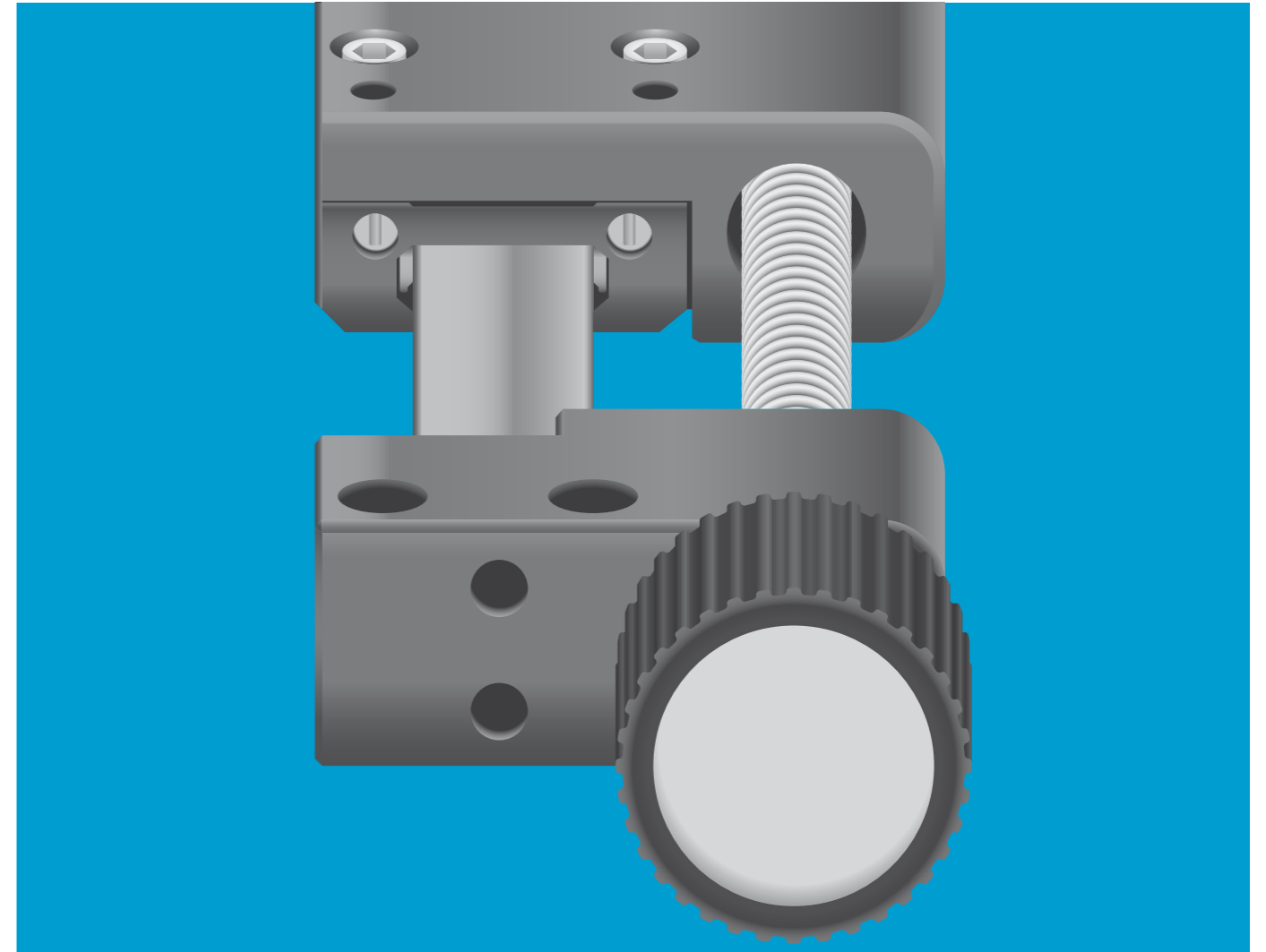
| Part No.    | Weight<br>[kg] | Max. stroke length<br>[mm] | Max. static load capacity |               |
|-------------|----------------|----------------------------|---------------------------|---------------|
|             |                |                            | axial<br>[N]              | radial<br>[N] |
| SETC-25-AWM | 0.15           | 750                        | 150                       | 300           |

Dimensions [mm]

| Part No.    | A  | Al | H  | E1 | E2 | E3 | E4 | I   | h1 | lt | ts  | s   | sb | l2 | d2 <sup>92)</sup> |
|-------------|----|----|----|----|----|----|----|-----|----|----|-----|-----|----|----|-------------------|
| SETC-25-AWM | 60 | 55 | 44 | 40 | 40 | 40 | 20 | 115 | 45 | 30 | 5.2 | 5.2 | M4 | 17 | Tr10x2            |

<sup>92)</sup> Lead screw end unmachined

More dimensions upon request



## drylin® general drive technology – SLT linear modules

Based on lubrication-free  
drylin® T miniature guide

Drive: Trapezoidal or high helix lead screw

Flat and compact design

Carriages with individually adjustable clearance

Variable lead screw options



Flat, lightweight and lubrication-free


## Lubrication-free linear modules – drylin® SLT


The low profile, the lateral lead screw arrangement and a striking design, are just some of the reasons why the drylin® SLT linear module was honoured with the 2014 IF Award. Technically, the system impresses with ball bearing mounted trapezoidal or high helix thread lead screws for motorised or manual operation. The basis of the SLT series is the drylin® T miniature guide in sizes 12 and 15.

- Low-profile structure through lateral lead screw arrangement
- Lubrication-free, corrosion-resistant, lightweight
- Variable pitch
- Adjustable drylin® T miniature carriage with individual clearance adjustment
- Lead screw arrangement can be selected either left or right

### Typical application areas


- Format adjustments
- Laboratory and medical technology
- Optical equipment

 **Available in 3–8 days**  
Detailed information about delivery time online.

 **Max. +60°C**  
**Min. -40°C**

 **stroke lengths 300–600mm**  
More dimensions upon request.

 **Product finder**  
▶ [www.igus.eu/slt-productfinder](http://www.igus.eu/slt-productfinder)

 **In accordance with EU Directive 2011/65/EU (RoHS 2)**  
Restriction (of the use of certain) hazardous substances

Shaft end supports/ carriages made of anodised aluminium

Ball bearing supported lead screws

Lead screw arrangement left or right of the carriage


Self-locking trapezoidal thread or fast adjustment with high helix thread

drylin® T miniature carriage with individual clearance adjustment

Lead screws of steel or stainless steel

Hard-anodised drylin® T miniature guide rail

Hand wheel, position indicator and lead screw clamp as accessories  
▶ [Page 1503](#)

 **Can be configured as ready-to-connect linear axis with motor and initiators**

▶ [www.igus.eu/drylin-automation](http://www.igus.eu/drylin-automation)



2013

With ball bearing supported lead screw

 **Order key**

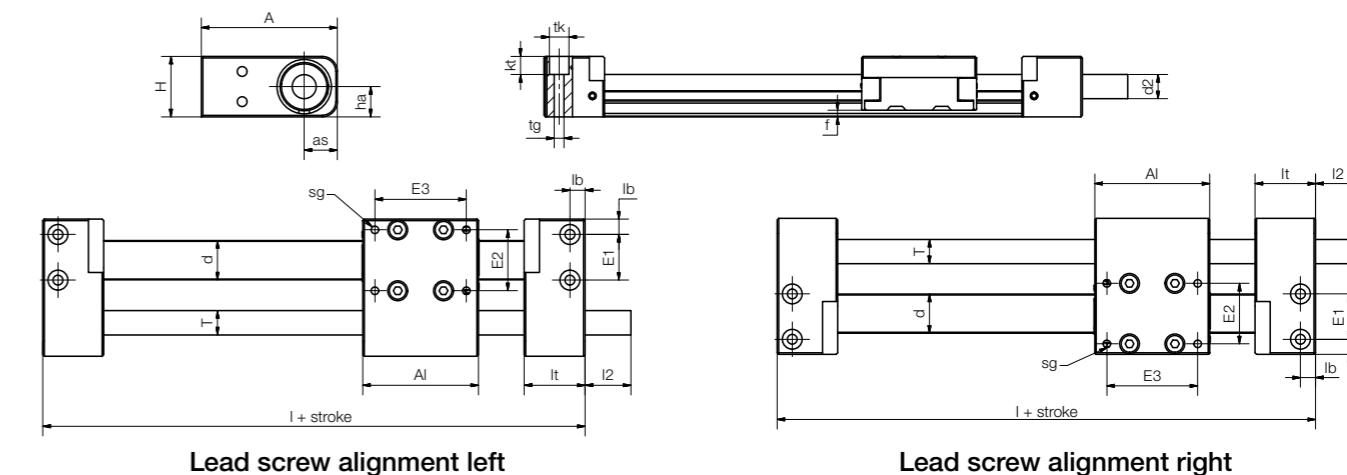
Order example

**SLT-BB-0412- E R-S 0015 R G-□**

|      |        |                   |                         |                      |            |       |        |                |                     |
|------|--------|-------------------|-------------------------|----------------------|------------|-------|--------|----------------|---------------------|
| Type | Design | Installation size | Adjustable carriage TWE | Lead screw alignment | Lead screw | Pitch | Thread | Lead screw end | Stroke length in mm |
|------|--------|-------------------|-------------------------|----------------------|------------|-------|--------|----------------|---------------------|

Options:

|                             |                      |                       |
|-----------------------------|----------------------|-----------------------|
| <b>Design</b>               | <b>Lead screw</b>    | <b>Lead screw end</b> |
| BB = With ball bearings     | S = Steel            | G = Threaded end      |
| <b>Lead screw alignment</b> | ES = Stainless steel |                       |
| R = Right (standard)        | <b>Thread</b>        |                       |
| L = Left                    | R = Right            |                       |

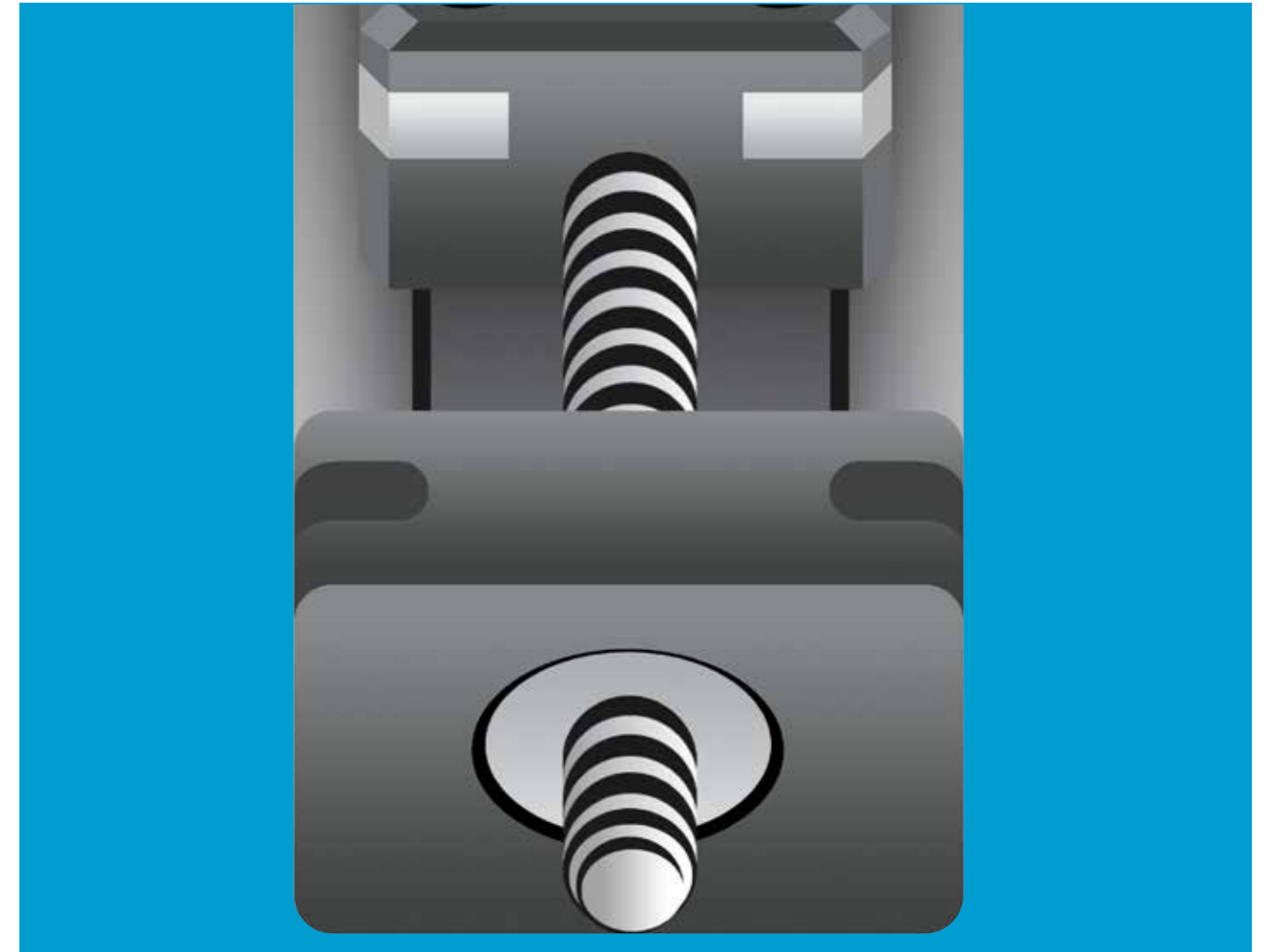
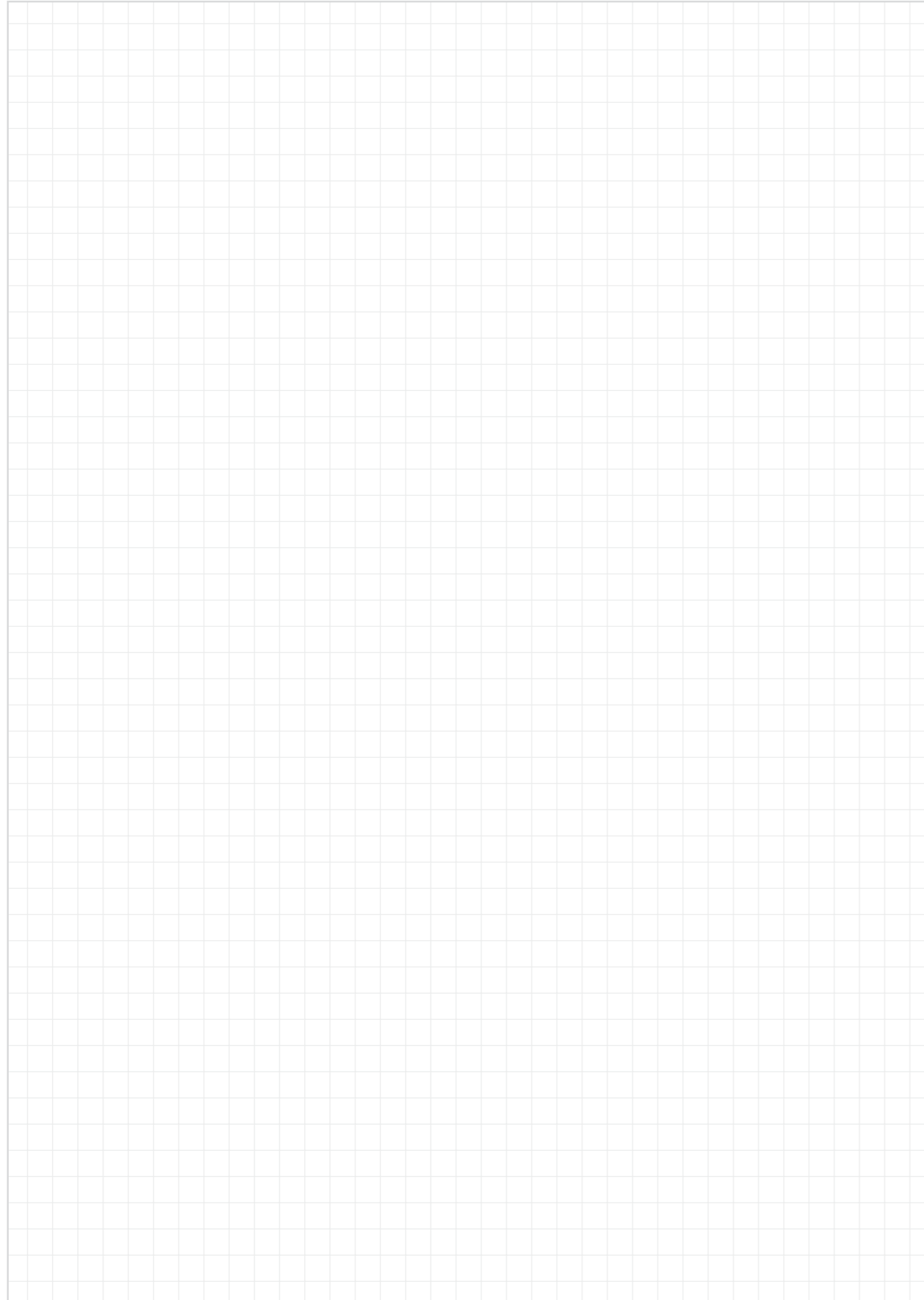


### Technical data and dimensions [mm]

| Part No.    | Pitch    | Max. stroke length | Weight                 |      | Max. static load capacity |            | Max. rpm | Max. speed |
|-------------|----------|--------------------|------------------------|------|---------------------------|------------|----------|------------|
|             |          |                    | Additional (per 100mm) | [kg] | Axial [N]                 | radial [N] |          |            |
| SLT-BB-0412 | Tr08x1.5 | 300                | 0.15                   | 0.06 | 100                       | 200        | 1,000    | 1.5        |
|             | Sg08x15  | 300                | 0.15                   | 0.06 | 25                        | 100        | 600      | 9.0        |
| SLT-BB-0415 | Tr12x3   | 600                | 0.40                   | 0.12 | 200                       | 400        | 1,000    | 4.5        |
|             | Sg12x25  | 600                | 0.40                   | 0.12 | 100                       | 400        | 750      | 4.5        |

| Part No.    | A  | Al | H  | E1 | E2 | E3 | l  | l2 | d2 | ha | sg    | tk  | kt  | tg    | f   | lb  | lt | d  | T        | as |
|-------------|----|----|----|----|----|----|----|----|----|----|-------|-----|-----|-------|-----|-----|----|----|----------|----|
| SLT-BB-0412 | 45 | 38 | 20 | 15 | 20 | 30 | 78 | 15 | -  | 10 | M3-7  | 6.5 | 6   | M4    | 2.2 | 5   | 20 | 13 | Tr08x1.5 | 11 |
| SLT-BB-0415 | 58 | 45 | 30 | 19 | 25 | 35 | 89 | 17 | 12 | 15 | M3-13 | 8   | 4.5 | M5-15 | 2.8 | 6.5 | 22 | 17 | Tr12x3   | 16 |

Also see econ chapter ▶ [Page 1455](#)



## drylin<sup>®</sup> general drive technology – SLN/SLNV linear modules

Based on lubrication-free  
drylin<sup>®</sup> N low-profile linear guide

Drive: Trapezoidal or high helix lead screw

Compact design

Clearance adjustment on carriage

Precise with pre-load

