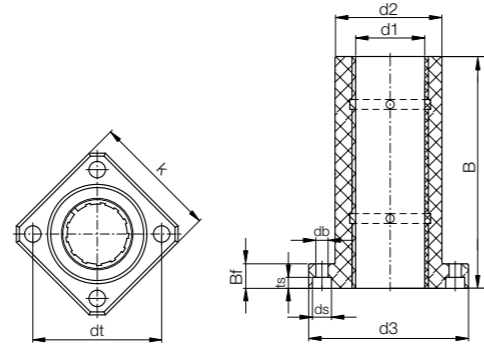


drylin® R flanged linear plain bearings | Product range

Closed, anodised aluminium adapter, square flange, tandem design



● Equipped with two liners to increase the guide length

i ⁷⁸⁾ According to igus® testing method ► Page 1146
⁸⁵⁾ Fitted with two pieces of JSM-0810-16
 Please note: Installation instructions ► Page 1079

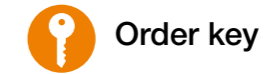
Dimensions [mm]

d1	d2 h7	d3	dt	k	B	Bf	ts	db	ds	Part No.
8.0	16	32	24	25	45	8	3.1	3.5	6.0	FJZMT-02-08 ⁸⁵⁾
10.0	19	39	29	30	52	9	4.1	4.5	7.5	FJUMT-02-10
10.4	19	39	29	30	52	9	4.1	4.5	7.5	FJUMT-02-10-LL
12.0	22	42	32	32	57	9	4.1	4.5	7.5	FJUMT-02-12
12.4	22	42	32	32	57	9	4.1	4.5	7.5	FJUMT-02-12-LL
16.0	26	46	36	35	70	9	4.1	4.5	7.5	FJUMT-02-16
16.4	26	46	36	35	70	9	4.1	4.5	7.5	FJUMT-02-16-LL
20.0	32	54	43	42	80	11	5.1	5.5	9.0	FJUMT-02-20
20.5	32	54	43	42	80	11	5.1	5.5	9.0	FJUMT-02-20-LL
25.0	40	62	51	50	112	11	5.1	5.5	9.0	FJUMT-02-25
25.5	40	62	51	50	112	11	5.1	5.5	9.0	FJUMT-02-25-LL
30.0	47	76	62	60	123	14	6.1	6.6	11.0	FJUMT-02-30
30.6	47	76	62	60	123	14	6.1	6.6	11.0	FJUMT-02-30-LL
40.0	62	98	80	75	151	18	8.1	9.0	14.0	FJUMT-02-40
50.0	75	112	94	88	192	18	8.1	9.0	14.0	FJUMT-02-50

Available with drylin® liners (optional: J200/A180):



drylin® R flanged linear plain bearings | Product range



Type Size

F J U M T-02-10-LL

- With flange
- iglidur® J
- Liner
- Metric
- Tandem
- Square design
- Inner Ø d1

Option:
LL: Floating bearing

Technical data

Part No.	Dimension	d1 tolerance ⁷⁸⁾	Guide length	Projected bearing surface	Weight
	nominal diameter	[mm]		[N]	
	[mm]	[mm]	[mm]	[N]	[g]
FJZMT-02-08 ⁸⁵⁾	8	+0.032 +0.070	45	256	23.00
FJUMT-02-10	10	+0.030 +0.088	52	250	36.58
FJUMT-02-10-LL	10	+0.030 +0.088	52	250	36.58
FJUMT-02-12	12	+0.030 +0.088	57	324	48.19
FJUMT-02-12-LL	12	+0.030 +0.088	57	324	48.19
FJUMT-02-16	16	+0.030 +0.088	70	464	67.79
FJUMT-02-16-LL	16	+0.030 +0.088	70	464	67.79
FJUMT-02-20	20	+0.030 +0.091	80	580	110.06
FJUMT-02-20-LL	20	+0.030 +0.091	80	580	110.06
FJUMT-02-25	25	+0.030 +0.091	112	975	230.06
FJUMT-02-25-LL	25	+0.030 +0.091	112	975	230.06
FJUMT-02-30	30	+0.040 +0.110	123	1,470	350.74
FJUMT-02-30-LL	30	+0.040 +0.110	123	1,470	350.74
FJUMT-02-40	40	+0.040 +0.115	151	2,360	739.30
FJUMT-02-50	50	+0.050 +0.150	192	3,450	1,249.30