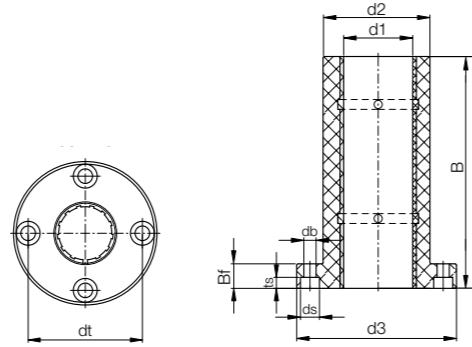


# drylin® R flanged linear plain bearings | Product range

Closed, anodised aluminium adapter, round flange, tandem design



● Equipped with two liners to increase the guide length

**i** <sup>78)</sup> According to igus® testing method ► Page 1146  
<sup>85)</sup> Fitted with two pieces of JSM-0810-16  
 Please note: Installation instructions ► Page 1079

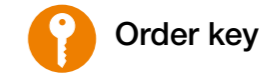
## Dimensions [mm]

d1	d2 h7	d3	dt	B	Bf	ts	db	ds	Part No.
8.0	16	32	24	45	8	3.1	3.5	6.0	FJZMT-01-08 <sup>85)</sup>
10.0	19	39	29	52	9	4.1	4.5	7.5	FJUMT-01-10
10.4	19	39	29	52	9	4.1	4.5	7.5	FJUMT-01-10-LL
12.0	22	42	32	57	9	4.1	4.5	7.5	FJUMT-01-12
12.4	22	42	32	57	9	4.1	4.5	7.5	FJUMT-01-12-LL
16.0	26	46	36	70	9	4.1	4.5	7.5	FJUMT-01-16
16.4	26	46	36	70	9	4.1	4.5	7.5	FJUMT-01-16-LL
20.0	32	54	43	80	11	5.1	5.5	9.0	FJUMT-01-20
20.5	32	54	43	80	11	5.1	5.5	9.0	FJUMT-01-20-LL
25.0	40	62	51	112	11	5.1	5.5	9.0	FJUMT-01-25
25.5	40	62	51	112	11	5.1	5.5	9.0	FJUMT-01-25-LL
30.0	47	76	62	123	14	6.1	6.6	11.0	FJUMT-01-30
30.6	47	76	62	123	14	6.1	6.6	11.0	FJUMT-01-30-LL
40.0	62	98	80	151	18	8.1	9.0	14.0	FJUMT-01-40
50.0	75	112	94	192	18	8.1	9.0	14.0	FJUMT-01-50

Available with drylin® liners (optional: J200/A180):



# drylin® R flanged linear plain bearings | Product range



Type Size

## F J U M T-01-10-LL

- With flange
- iglidur® J
- Liner
- Metric
- Tandem
- Round design
- Inner Ø d1

Option:  
LL: Floating bearing

## Technical data

Part No.	Dimension nominal diameter [mm]	d1 tolerance <sup>78)</sup> [mm]	Guide length [mm]	Projected bearing surface [N]	Weight [g]
FJZMT-01-08 <sup>85)</sup>	8	+0.032 +0.070	45	256	27.13
FJUMT-01-10	10	+0.030 +0.088	52	250	43.75
FJUMT-01-10-LL	10	+0.030 +0.088	52	250	43.75
FJUMT-01-12	12	+0.030 +0.088	57	324	57.00
FJUMT-01-12-LL	12	+0.030 +0.088	57	324	57.00
FJUMT-01-16	16	+0.030 +0.088	70	464	78.28
FJUMT-01-16-LL	16	+0.030 +0.088	70	464	78.28
FJUMT-01-20	20	+0.030 +0.091	80	580	126.42
FJUMT-01-20-LL	20	+0.030 +0.091	80	580	126.42
FJUMT-01-25	25	+0.030 +0.091	112	975	248.85
FJUMT-01-25-LL	25	+0.030 +0.091	112	975	248.85
FJUMT-01-30	30	+0.040 +0.110	123	1,470	388.37
FJUMT-01-30-LL	30	+0.040 +0.110	123	1,470	388.37
FJUMT-01-40	40	+0.040 +0.115	151	2,360	835.00
FJUMT-01-50	50	+0.050 +0.150	192	3,450	1,352.30