

drylin[®] general drive technology – SET linear modules

Lubrication-free single-tube adjustment

Drive: Trapezoidal thread

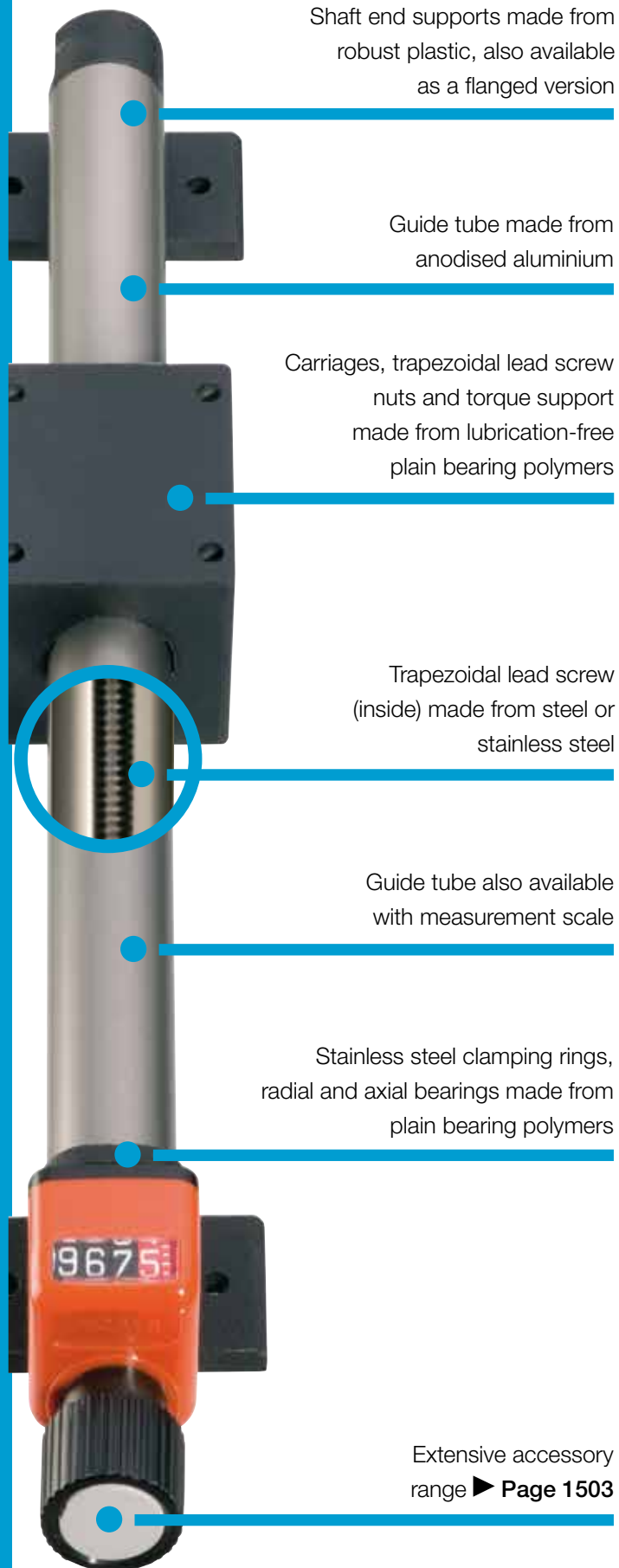
Simple, smooth design

Lightweight due to aluminium and plastic

Temperature resistance up to +50°C



Single-tube adjustment



Shaft end supports made from robust plastic, also available as a flanged version

Guide tube made from anodised aluminium

Carriages, trapezoidal lead screw nuts and torque support made from lubrication-free plain bearing polymers

Trapezoidal lead screw (inside) made from steel or stainless steel

Guide tube also available with measurement scale

Stainless steel clamping rings, radial and axial bearings made from plain bearing polymers

Extensive accessory range ▶ Page 1503

Lubrication-free linear unit "easytube"

The linear unit for easy adjustment functions is characterised by a simple but effective and solid design. A complete system is built up from few components. The outer anodised aluminium tube guides the carriage/s and at the same time protects the trapezoidal lead screw and lead screw nut from external influences. Carriage, torque support and trapezoidal lead screw nut are in one component and are made from a special plain bearing high-performance polymer. This guarantees freedom from lubrication with simultaneously low coefficient of friction and optimal wear rates. The iglidur® bearing materials are also used in the thrust bearings of the lead screw.

- Protected lead screw
- Effective design
- Available with measurement scale without lead screw
- Flanged version for axial mounting in surfaces and profiles

Typical application areas

- Sensor and camera positioning
- Format adjustment



Available in 3–8 days

Detailed information about delivery time online.



Price breaks online

No minimum order value. No minimum order quantity.



Carriage lengths: 30–55mm
Stroke lengths: up to 850mm



Product finder

▶ www.igus.eu/set-productfinder

Efficient design with protected lead screw and variable mounting



easytube single tube linear unit

- For light format adjustments
- Protected lead screw, torque-resistant
- Drive: Trapezoidal or high-helix lead screw

▶ Page 1408



easytube with double flange

- For axial mounting
- Simple, smooth design

▶ Page 1409



easytube with single flange

- For horizontal and vertical adjustments
- Single aluminium flange
- Space-saving structure

▶ Page 1410



easytube with measurement scale

- With lasered, wash-proof scale
- Carriage with clamp
- Available with/without lead screw

▶ Page 1411



easytube "light"

- Lightweight linear carriage
- Compact structure
- Also available as flanged version

▶ Page 1412



Accessories for linear modules

- Position indicator, hand wheels, lead screw clamps, angular drives and more

▶ From page 1503

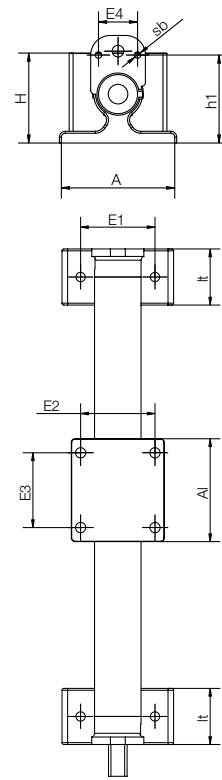
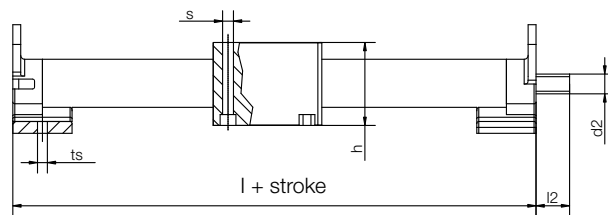


Order key

Order example

SET-25-AWM

easytube	Dimension	Shaft material
----------	-----------	----------------



- For simple adjustments
- With protected lead screw
- Corrosion-free with stainless steel lead screw
- Lightweight due to aluminium and plastic
- Temperature-resistant up to +60°C
- Available accessories ► Page 1503

Technical data

Part No.	Max. stroke length [mm]	Aluminium shaft			Max. static load capacity	
		Weight shaft end supports and guide carriage [kg]	Additional (per 100mm) [kg]	axial [N]	radial [N]	
SET-12-AWM	200	0.05	0.03	10	20	
SET-25-AWM	750	0.15	0.12	150	300	
SET-30-AWM	850	0.20	0.21	200	400	

Dimensions [mm]

Part No.	A	A1	H	E1	E2	E3	E4	l	h	h1	lt	ts	s	sb	l2	d2 ⁹²⁾
SET-12-AWM	30	30	23.5	20	20	20	-	60	22	-	15	3.3	4.2	-	10	M4
SET-25-AWM	60	55	44	40	40	40	20	115	39	45	30	5.2	5.2	M4	17	Tr10x2
SET-30-AWM	80	55	49	60	40	40	20	125	39	50	35	6.5	5.2	M4	20	Tr12x3

⁹²⁾ Lead screw end unmachined

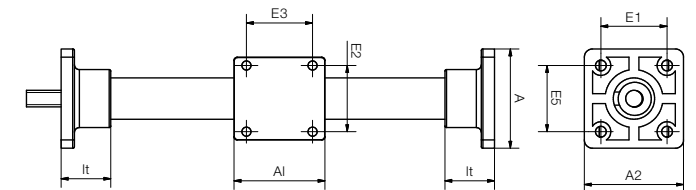
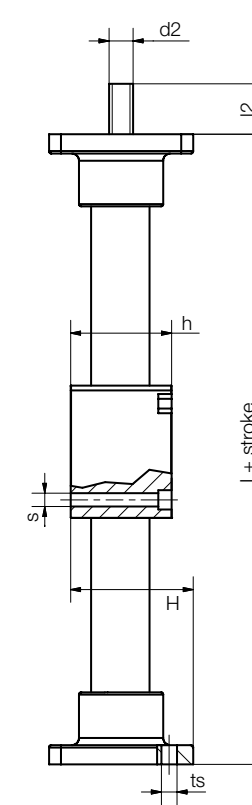


Order key

Order example

SET-25-AWM-F

easytube	Dimension	Shaft material	With flange
----------	-----------	----------------	-------------



- Flanged version for axial mounting
- Simple, smooth design
- Available accessories ► Page 1503

Technical data

Part No.	Max. stroke length [mm]	Aluminium shaft			Max. static load capacity	
		Weight shaft end supports and guide carriage [kg]	Additional (per 100mm) [kg]	axial [N]	radial [N]	
SET-25-AWM-F	750	0.15	0.12	150	300	
SET-30-AWM-F	850	0.20	0.21	200	400	

Dimensions [mm]

Part No.	A1	A	A2	H	E1	E2	E3	E5	l	h	lt	ts	s	l2	d2 ⁹²⁾
SET-25-AWM-F	55	60	60	49	40	40	40	40	115	39	30	5.2	5.2	27	Tr10x2
SET-30-AWM-F	55	60	80	59	60	40	40	40	125	39	35	6.5	5.2	30	Tr12x3

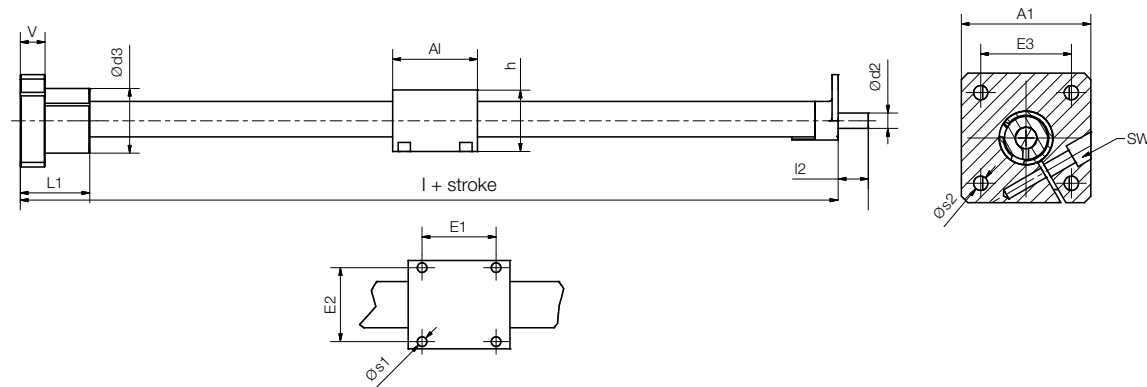
⁹²⁾ Lead screw end unmachined



Order example

SETB-25-AWM

easytube
Dimension
Shaft material



- Horizontal and vertical installation at one end
- Ideal for the positioning of sensors and cameras in format adjustments
- Easy assembly
- Flexible installation
- Space-saving
- Protected lead screw

Technical data

Part No.	Max. stroke length [mm]	Max. static load capacity	
		axial [N]	radial ¹²⁸⁾ [N]
SETB-25-AWM	300	150	12.5

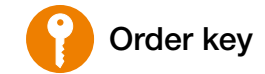
Dimensions [mm]

Part No.	A1	A3	h	E1	E2	E3	V	L1	I2	d2 ⁹²⁾	d3	l	s1	s2	SW
SETB-25-AWM	60	55	39	40	40	42	16	45	17	Tr10x2	42	130	5.2	6.6	5

⁹²⁾ Lead screw end unmachined

More dimensions upon request

¹²⁸⁾ The supporting torque at the clamping flange must not exceed 10Nm



Order example

SET M-25-AWM-200-SC

easytube
Manual
Dimension
Shaft material
Stroke length
Scaling



Options:
Manual
without lead screw (optional)

- Lasered, wash-proof scale
- Corrosion-resistant
- Multi-position clamp
- Available with/without lead screw
- 3 stroke lengths available from stock

Technical data

F radial	[N]	300
Max. extension at maximum load	[mm]	66
Max. extension at 100N nominal load	[mm]	200
Max. drive force without load	[N]	10
Max. holding force	[N]	100
Max. stroke length	[mm]	600

Dimensions [mm]

Part no. measurement scale without lead screw	Part no. measurement scale with trapezoidal lead screw 10x2	Stroke length [mm]
SETM-25-AWM-200-SC	SET-25-AWM-200-SC	200
SETM-25-AWM-400-SC	SET-25-AWM-400-SC	400
SETM-25-AWM-600-SC	SET-25-AWM-600-SC	600

More dimensions see SET ► Page 1408

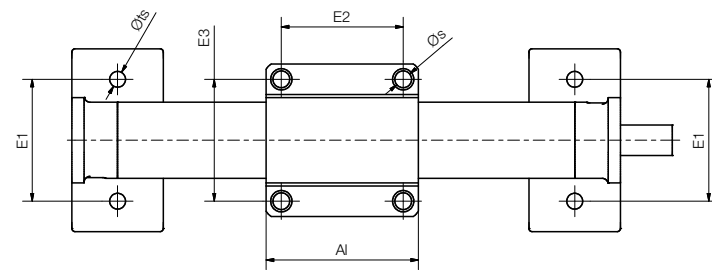
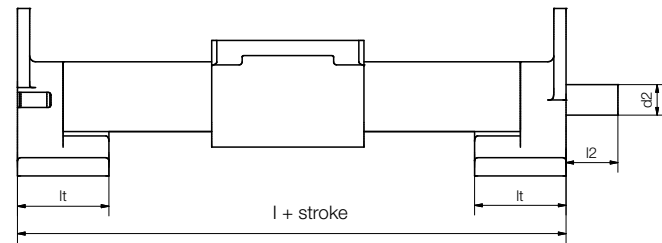
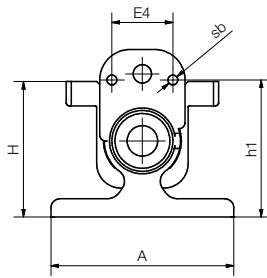


Order key

Order example

SETC-25-AWM

easytube	Dimension	Shaft material
----------	-----------	----------------



- Lightweight
- Cost-effective
- Simplified assembly
- Light, clean and quiet

Technical data

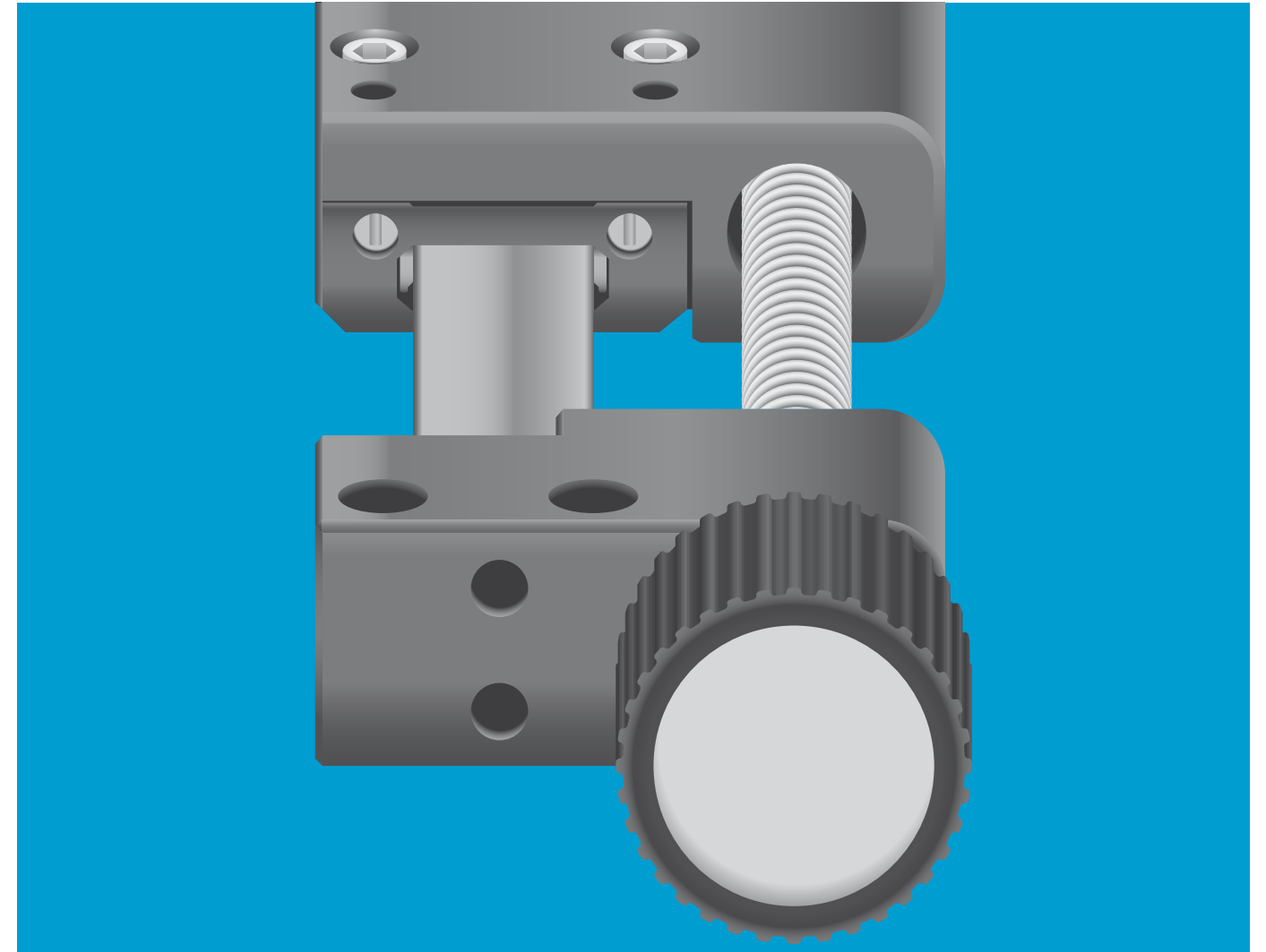
Part No.	Weight [kg]	Max. stroke length [mm]	Max. static load capacity	
			axial [N]	radial [N]
SETC-25-AWM	0.15	750	150	300

Dimensions [mm]

Part No.	A	Al	H	E1	E2	E3	E4	l	h1	lt	ts	s	sb	l2	d2 ⁹²⁾
SETC-25-AWM	60	55	44	40	40	40	20	115	45	30	5.2	5.2	M4	17	Tr10x2

⁹²⁾ Lead screw end unmachined

More dimensions upon request



drylin® general drive technology – SLT linear modules

Based on lubrication-free
drylin® T miniature guide

Drive: Trapezoidal or high helix lead screw

Flat and compact design

Carriages with individually adjustable clearance

Variable lead screw options

