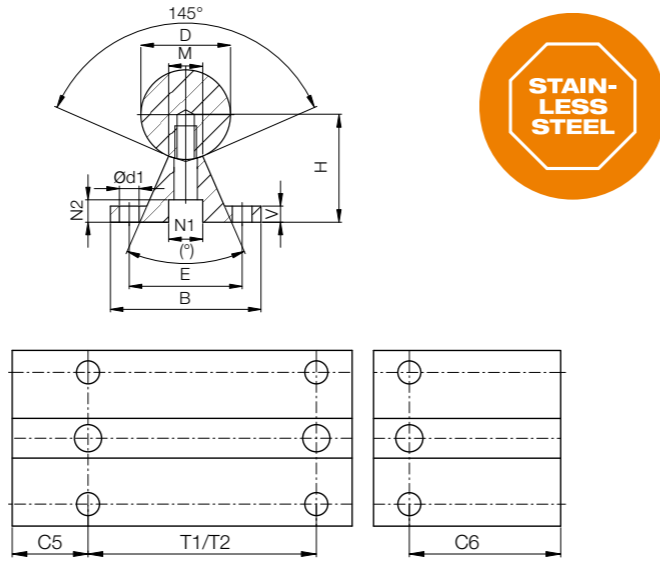




EWUM



! igus® recommendation: Linear plain bearings equipped with iglidur® E7 liners for 8 times longer service life

Shaft support blocks for Ø 20mm made of stainless steel VA

- Connecting sizes as standard supports made from aluminium

Dimensions [mm] – supported stainless steel shafts AISI 440B

Part No.	D	B	H	V	N1	N2	d1	M	(°)	E	T1 ⁸⁷⁾	C5/C6		T2	C5/C6		Weight [kg/m]
												Min.	Max.		Min.	Max.	
			±0.02								±0.15	for T1	Standard	for T2	Standard		
EWUM-12	12	40	22	5	8.0	5.0	4.5	5.8	50	29	75	20	57	120	20	79	1.75
EWUM-16	16	45	26	5	9.5	6.0	5.5	7.0	50	33	100	20	69	150	20	94	2.64
EWUM-20	20	52	32	6	11.0	6.5	6.6	8.3	50	37	100	20	69	150	20	94	3.97
EWUM-25	25	57	36	6	14.0	8.5	6.6	10.8	50	42	120	20	79	200	20	119	5.65
EWUM-30	30	69	42	7	17.0	10.5	9.0	11.0	50	51	150	20	94	200	20	119	7.93
EWUM-40	40	73	50	8	17.0	10.5	9.0	15.0	50	55	200	20	119	300	20	169	12.88
EWUM-50	50	84	60	9	19.0	12.5	11.0	19.0	46	63	200	20	119	300	20	169	19.60

⁸⁷⁾ T1 pitch upon request; standard is T2



Order example:

EWUM-16-500-T1: Low level supported stainless steel shaft (AISI 440B), 16mm outer Ø, 500mm in length, pitch T1

