

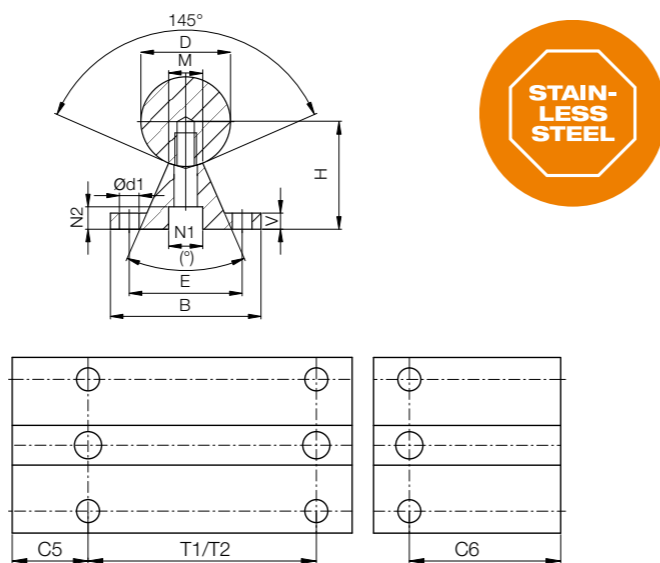


EWUM



igus® recommendation: Linear plain bearings equipped with iglidur® E7 liners for 8 times longer service life

- Completely supported and mounted with standard aluminium support
- For supported shafts:
 - ▶ Shaft support supplied in lengths of 600mm max.
 - ▶ Standard pitch T2, T1 also possible upon request
 - ▶ Symmetrical hole pitches C5 = C6



Dimensions [mm] – supported stainless steel shafts AISI 440B

Part No.	D	B	H	V	N1	N2	d1	M	(°)	E	T1	C5/C6		T2	C5/C6		Weight
												Min.	Max.		Min.	Max.	
			±0.02								±0.15	for T1	Standard		Standard		
EWUM-12	12	40	22	5	8.0	5.0	4.5	5.8	50	29	75	20	57	120	20	79	1.75
EWUM-16	16	45	26	5	9.5	6.0	5.5	7.0	50	33	100	20	69	150	20	94	2.64
EWUM-20	20	52	32	6	11.0	6.5	6.6	8.3	50	37	100	20	69	150	20	94	3.97
EWUM-25	25	57	36	6	14.0	8.5	6.6	10.8	50	42	120	20	79	200	20	119	5.65
EWUM-30	30	69	42	7	17.0	10.5	9.0	11.0	50	51	150	20	94	200	20	119	7.93
EWUM-40	40	73	50	8	17.0	10.5	9.0	15.0	50	55	200	20	119	300	20	169	12.88
EWUM-50	50	84	60	9	19.0	12.5	11.0	19.0	46	63	200	20	119	300	20	169	19.60

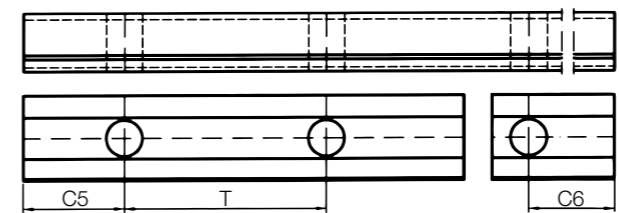


Order example:

EWUM-16-500-T1: Supported stainless steel shaft (AISI 440B) with 16mm outer Ø 500mm length, T1 pitch



EWUMN



Order key

Type	Size	Options
------	------	---------

EWUMN- 20 -2000-T1

Low level supported stainless steel shaft, metric	Outer Ø	Shaft length [mm]	Hole pattern
---	---------	-------------------	--------------

EWUM: Supported stainless steel shaft

EWUMN: Low level supported stainless steel shaft

Available materials and lengths:

AISI 440B, max. 6,000mm

Hole pattern:

T2: T2 pitch (standard)

T1: T1 pitch (upon request)

Dimensions [mm] – low level supported stainless steel shafts AISI 440B

Part No.	Outer Ø	H	H1	A	A1	A2	d1	d2	T	C5/C6		Weight
										Min.	Max.	
EWUMN-12	12	14.5	3	11	5.5	5.4	M4	4.5	75	20	57	1.62
EWUMN-16	16	18	3	14	7.0	7.0	M5	5.5	75	20	57	2.54
EWUMN-20	20	22	3	17	8.5	8.1	M6	6.6	75	20	57	3.81
EWUMN-25	25	26	3	21	10.5	10.3	M8	9.0	75	20	57	5.62
EWUMN-30	30	30	3	23	11.5	11.0	M10	11.0	100	20	69.5	7.63
EWUMN-40	40	39	4	30	15.0	15.0	M12	13.5	100	20	69.5	13.47
EWUMN-50	50	46	5	35	17.5	19.0	M14	15.5	100	20	69.5	20.31

Low level supported shafts are delivered unmounted.



Order example:

EWUMN-16-500: Low level supported stainless steel shaft (AISI 440B) with 16mm outer Ø, 500mm length