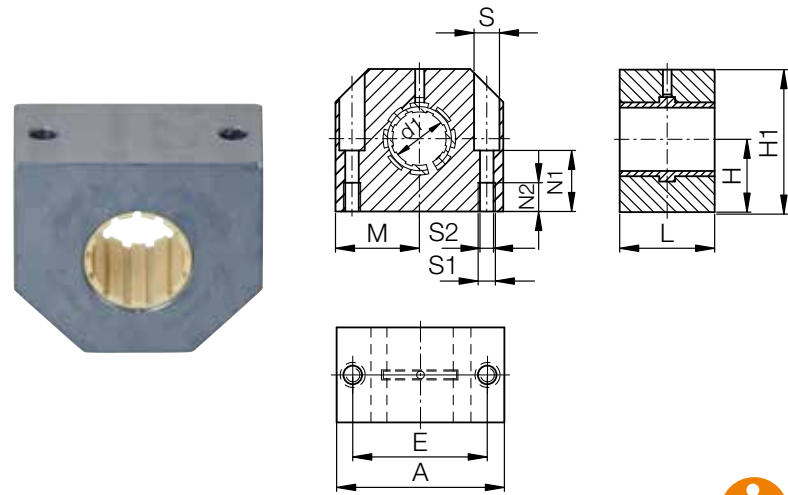


drylin® R pillow blocks | Product range

Closed, anodised aluminium housing, short design



Order key

Type	Size
R J U M-05-10	
Closed	
igidur® J	
Liner	
Metric	
Compact	
Inner Ø d1	

i ⁷⁸⁾ According to igus® testing method ▶ Page 1146
⁸¹⁾ Ø < 10mm use press-fitted sleeve bearings
⁸²⁾ Design tips ▶ Page 1078
 Please note: Installation instructions ▶ Page 1079

Dimensions [mm]

d1	H	H1	A	M	E	S	S1	S2	N1	N2	L	Part No.
+0.01 -0.014					±0.15							
8	14	27	32	16.0	23	6.0	M4	3.4	13	9	24	RJZM-05-08 ⁸¹⁾
10	16	33	40	20.0	29	8.0	M5	4.3	16	11	26	RJUM-05-10
12	17	33	40	20.0	29	8.0	M5	4.3	16	11	28	RJUM-05-12
16	19	38	45	22.5	34	8.0	M5	4.3	18	11	30	RJUM-05-16
20	23	45	53	26.5	40	9.5	M6	5.3	22	13	30	RJUM-05-20
25	27	54	62	31.0	48	11.0	M8	6.6	26	18	40	RJUM-05-25
30	30	60	67	33.5	53	11.0	M8	6.6	29	18	50	RJUM-05-30
40	39	76	87	43.5	69	15.0	M10	8.4	38	22	60	RJUM-05-40
50	47	92	103	51.5	82	18.0	M12	10.5	46	26	70	RJUM-05-50

Technical data

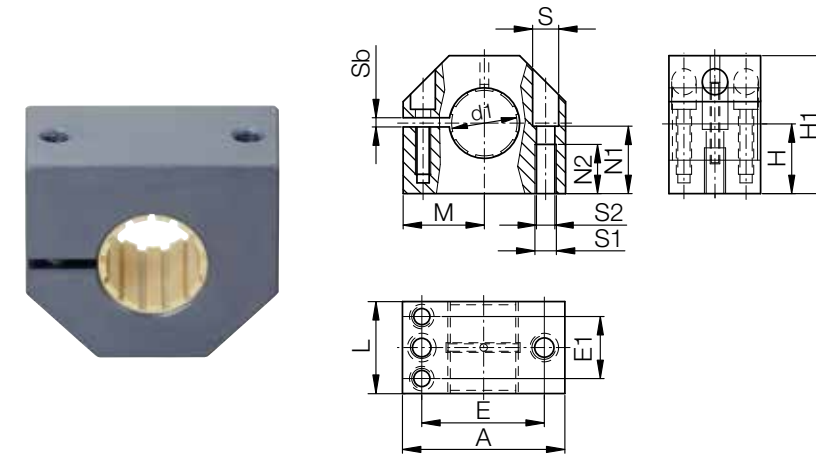
Part No.	d1 tolerance ⁷⁸⁾		Fmax. dynamic ⁸²⁾		Fmax. static ⁸²⁾		Weight
	[mm]		p = 5MPa		p = 35MPa		
	[mm]	[mm]	[N]	[N]	[N]	[N]	
RJZM-05-08 ⁸¹⁾	+0.032	+0.070	960	6,720	6,720	46	
RJUM-05-10	+0.030	+0.088	650	4,550	4,550	71	
RJUM-05-12	+0.030	+0.088	840	5,880	5,880	78	
RJUM-05-16	+0.030	+0.088	1,200	8,400	8,400	106	
RJUM-05-20	+0.030	+0.091	1,500	10,500	10,500	132	
RJUM-05-25	+0.030	+0.091	2,500	17,500	17,500	253	
RJUM-05-30	+0.040	+0.110	3,750	26,250	26,250	374	
RJUM-05-40	+0.040	+0.115	6,000	42,000	42,000	713	
RJUM-05-50	+0.050	+0.150	8,750	61,250	61,250	1,168	

Available with drylin® liners (optional: J200/A180):



drylin® R pillow blocks | Product range

Adjustable anodised aluminium housing, short design



Order key

Type	Size
R J U M E-05-12	
Closed	
igidur® J	
Liner	
Metric	
Adjustable	
Compact	
Inner Ø d1	

● With adjustable clearance

i ⁷⁸⁾ According to igus® testing method ▶ Page 1146
⁸²⁾ Design tips ▶ Page 1078
 Please note: Installation instructions ▶ Page 1079

Dimensions [mm]

d1	H	H1	A	M	E	E1	S	S1	S2	Sb	N1	N2	L	Part No.
+0.01 -0.014					±0.15	±0.15								
12	17	33	40	20.0	29	18.0	8.0	4.3	M5	2	16	11	28	RJUME-05-12
16	19	38	45	22.5	34	19.0	8.0	4.3	M5	2	18	11	30	RJUME-05-16
20	23	45	53	26.5	40	20.0	9.5	5.3	M6	2	22	13	30	RJUME-05-20
25	27	54	62	31.0	48	25.5	11.0	6.6	M8	2	26	18	40	RJUME-05-25
30	30	60	67	33.5	53	30.5	11.0	6.6	M8	2	29	18	50	RJUME-05-30
40	39	76	87	43.5	69	36.0	15.0	8.4	M10	2	38	22	60	RJUME-05-40
50	47	92	103	51.5	82	44.0	18.0	10.5	M12	2	46	26	70	RJUME-05-50

Technical data

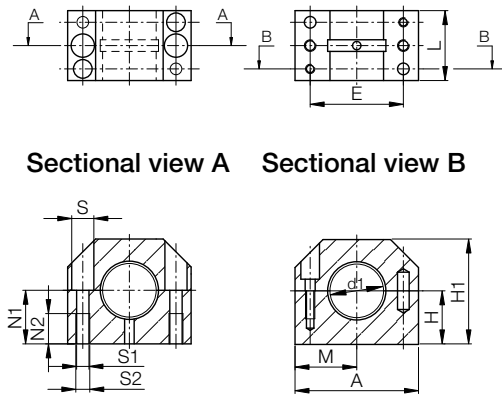
Part No.	d1 tolerance ⁷⁸⁾		Fmax. dynamic ⁸²⁾		Fmax. static ⁸²⁾		Weight
	[mm]		p = 5MPa		p = 35MPa		
	[mm]	[mm]	[N]	[N]	[N]	[N]	
RJUME-05-12	Adjustable		840	5,880	5,880	78	
RJUME-05-16	Adjustable		1,200	8,400	8,400	106	
RJUME-05-20	Adjustable		1,500	10,500	10,500	132	
RJUME-05-25	Adjustable		2,500	17,500	17,500	253	
RJUME-05-30	Adjustable		3,750	26,250	26,250	374	
RJUME-05-40	Adjustable		6,000	42,000	42,000	713	
RJUME-05-50	Adjustable		8,750	61,250	61,250	1,168	

Available with drylin® liners (optional: J200/A180):



drylin® R pillow blocks | Product range

Split anodised aluminium housing, screwed, short design



Order key

Type	Size
Open	T J U M-05-16
iglidur® J	
Liner	
Metric	
Compact	
Inner Ø d1	

- Replacement of the liner without removing the shaft

i ⁷⁸⁾ According to igus® testing method ▶ Page 1146
⁸²⁾ Design tips ▶ Page 1078
 Please note: Installation instructions ▶ Page 1079

Dimensions [mm]

d1	H ±0.02	H1	A	M	E ±0.15	S	S1	S2	N1	N2	L	Part No.
16	19	38	45	22.5	34	8.0	M5	4.3	18	11	30	TJUM-05-16
20	23	45	53	26.5	40	9.5	M6	5.3	22	13	30	TJUM-05-20
25	27	54	62	31.0	48	11.0	M8	6.6	26	18	40	TJUM-05-25
30	30	60	67	33.5	53	11.0	M8	6.6	29	18	50	TJUM-05-30
40	39	76	87	43.5	69	15.0	M10	8.4	38	22	60	TJUM-05-40

Technical data

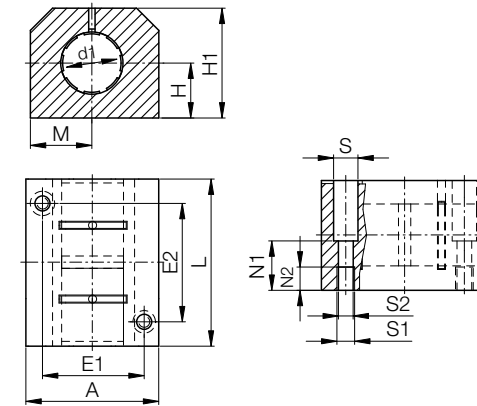
Part No.	d1 tolerance ⁷⁸⁾ [mm]	Fmax. dynamic ⁸²⁾ p = 5MPa [N]		Fmax. static ⁸²⁾ p = 35MPa [N]		Weight [g]
TJUM-05-16	+0.030 +0.120	1,200	8,400	105		
TJUM-05-20	+0.030 +0.120	1,500	10,500	137		
TJUM-05-25	+0.030 +0.120	2,500	17,500	253		
TJUM-05-30	+0.040 +0.135	3,750	26,250	377		
TJUM-05-40	+0.040 +0.135	6,000	42,000	720		

Available with drylin® liners (optional: J200/A180):



drylin® R pillow blocks | Product range

Closed, anodised aluminium housing, tandem design



Order key

Type	Size
Closed	R J U M T-05-12
iglidur® J	
Liner	
Metric	
Tandem	
Compact	
Inner Ø d1	

- Tandem design
- Equipped with two liners to increase the guide length

i ⁷⁸⁾ According to igus® testing method ▶ Page 1146
⁸²⁾ Design tips ▶ Page 1078
 Please note: Installation instructions ▶ Page 1079

Dimensions [mm]

d1	H +0.01 -0.014	H1	A	M	E1 ±0.15	E2 ±0.15	S	S1	S2	N1	N2	L	Part No.
12	17	33	40	20	29	35	8.0	M5	4.3	16.0	11	60	RJUMT-05-12
16	19	38	45	22.5	34	40	8.0	M5	4.3	18.0	11	65	RJUMT-05-16
20	23	45	53	26.5	40	45	9.5	M6	5.3	22.0	13	65	RJUMT-05-20
25	27	54	62	31	48	55	11.0	M8	6.6	26.0	18	85	RJUMT-05-25
30	30	60	67	33.5	53	70	11.0	M8	6.6	29.0	18	105	RJUMT-05-30
40	39	76	87	43.5	69	85	15.0	M10	8.4	38.0	22	125	RJUMT-05-40
50	47	92	103	51.5	82	100	18.0	M12	10.5	46.0	26	145	RJUMT-05-50

Technical data

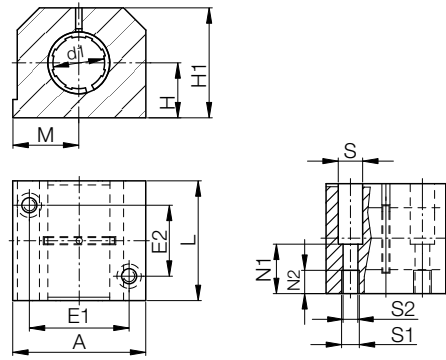
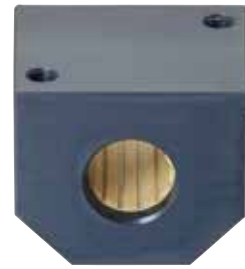
Part No.	d1 tolerance ⁷⁸⁾ [mm]	Fmax. dynamic ⁸²⁾ p = 5MPa [N]		Fmax. static ⁸²⁾ p = 35MPa [N]		Weight [g]
RJUMT-05-12	+0.030 +0.088	840	5,880	170		
RJUMT-05-16	+0.030 +0.088	1,200	8,400	250		
RJUMT-05-20	+0.030 +0.091	1,500	10,500	300		
RJUMT-05-25	+0.030 +0.091	2,500	17,500	550		
RJUMT-05-30	+0.040 +0.110	3,750	26,250	750		
RJUMT-05-40	+0.040 +0.115	6,000	42,000	1,500		
RJUMT-05-50	+0.050 +0.150	8,750	61,250	2,400		

Available with drylin® liners (optional: J200/A180):



drylin® R pillow blocks | Product range

Closed, anodised aluminium housing, long design



Order key

Type	Size
R J U M-06-12	
Closed	
iglidur® J	
Liner	
Metric	
Long design	
Inner Ø d1	

i ⁷⁸⁾ According to igus® testing method ▶ Page 1146
⁸²⁾ Design tips ▶ Page 1078
 Please note: Installation instructions ▶ Page 1079

Dimensions [mm]

d1	H	H1	A	M	E1	E2	S	S1	S2	N1	N2	L	Part No.
	+0.01 -0.014			±0.02	±0.15	±0.15							
12	18	35	43	21.5	32	23	8.0	M5	4.3	16.5	11	39	RJUM-06-12
16	22	42	53	26.5	40	26	10.0	M6	5.3	21.0	13	43	RJUM-06-16
20	25	50	60	30.0	45	32	11.0	M8	6.6	24.0	18	54	RJUM-06-20
25	30	60	78	39.0	60	40	15.0	M10	8.4	29.0	22	67	RJUM-06-25
30	35	70	87	43.5	68	45	15.0	M10	8.4	34.0	22	79	RJUM-06-30
40	45	90	108	54.0	86	58	18.0	M12	10.5	44.0	26	91	RJUM-06-40
50	50	105	132	66.0	108	50	20.0	M16	13.5	49.0	34	113	RJUM-06-50

Technical data

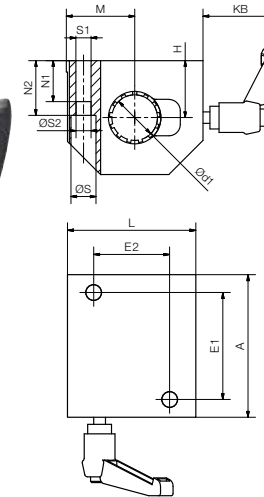
Part No.	d1 tolerance ⁷⁸⁾ [mm]	Fmax. dynamic ⁸²⁾	Fmax. static ⁸²⁾	Weight [g]
		p = 5MPa [N]	p = 35MPa [N]	
RJUM-06-12	+0.030 +0.088	960	6,720	121
RJUM-06-16	+0.030 +0.088	1,440	10,080	211
RJUM-06-20	+0.030 +0.091	2,250	15,750	323
RJUM-06-25	+0.030 +0.091	3,625	25,375	651
RJUM-06-30	+0.040 +0.110	5,100	35,700	1,050
RJUM-06-40	+0.040 +0.115	8,000	56,000	1,820
RJUM-06-50	+0.050 +0.150	12,500	87,500	3,250

Available with drylin® liners (optional: J200/A180):



drylin® R pillow blocks | Product range

Closed, anodised aluminium housing, long design
with manual clamp



Order key

Type	Size	Options
R J U M-06-12-HK		
Closed		
iglidur® J		
Liner		
Metric		
Long design		
Inner Ø d1		
Manual clamp		

i ⁷⁸⁾ According to igus® testing method ▶ Page 1146
⁸²⁾ Design tips ▶ Page 1078
 Please note: Installation instructions ▶ Page 1079

Dimensions [mm]

d1	H	H1	A	M	E1	E2	S	S1	S2	N1	N2	W	L	KL	KB	Part No.
	+0.01; -0.014			±0.02	±0.15	±0.15								-1		
12	18	35	43	21.5	32	23	8	M5	4.3	16.5	11	10.2	39	40	33	RJUM-06-12-HK
16	22	42	53	26.5	40	26	10	M6	5.3	21	13	11.6	43	40	33	RJUM-06-16-HK
20	25	50	60	30	45	32	11	M8	6.6	24	18	12	54	40	33	RJUM-06-20-HK
25	30	60	78	39	60	40	15	M10	8.4	29	22	14.5	67	65	46	RJUM-06-25-HK
30	35	70	87	43.5	68	45	15	M10	8.4	34	22	16.6	79	65	46	RJUM-06-30-HK
40	45	90	108	54	86	58	18	M12	10.5	44	26	21	91	65	46	RJUM-06-40-HK
50	50	105	132	66	108	50	20	M16	13.5	49	34	25.5	113	65	46	RJUM-06-50-HK

Technical data

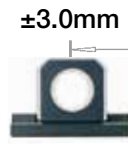
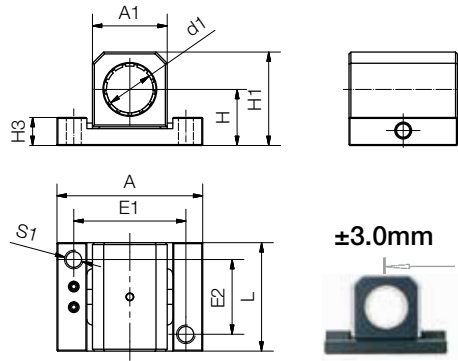
Part No.	d1 tolerance ⁷⁸⁾	Fmax. dynamic ⁸²⁾	Fmax. static ⁸²⁾	Clamp force	Weight [g]
		p = 5MPa 0° [N]	p = 35MPa 0° [N]	axial [N]	
RJUM-06-12-HK	+0.030 +0.088	960	6720	400	0.098
RJUM-06-16-HK	+0.030 +0.088	1440	10080	400	0.164
RJUM-06-20-HK	+0.030 +0.091	2250	15750	400	0.275
RJUM-06-25-HK	+0.030 +0.091	3625	25375	1,000	0.544
RJUM-06-30-HK	+0.040 +0.110	5100	35700	1,000	0.832
RJUM-06-40-HK	+0.040 +0.115	8000	56000	1,000	1.513
RJUM-06-50-HK	+0.050 +0.150	12500	87500	1,000	2.568

Available with drylin® liners (optional: J200/A180):



drylin® R pillow blocks | Product range

Closed, anodised aluminium, floating pillow blocks



Order key

Type	Size	Options
R J U M-06-12 - LL		
Closed	iglidur® J	Floating bearing
Liner	Metric	
Long design	Inner Ø d1	

- Compensation of parallelism errors up to 6mm
- Quick assembly even on raw profiles

i ⁷⁸⁾ According to igus® testing method ▶ Page 1146
⁸²⁾ Design tips ▶ Page 1078
 Please note: Installation instructions ▶ Page 1079
 Floating bearing ▶ Page 1078

Dimensions [mm]

d1	H	H1	A	E1	E2	S1	L	A1	H3	Part No.
	±0.01			±0.15	±0.15					
12	18	28	43	32	23	M5	32	20	11	RJUM-06-12 LL
16	22	35	53	40	26	M6	36	26	11	RJUM-06-16 LL
20	25	41	60	45	32	M8	45	32	12.5	RJUM-06-20 LL
25	30	50	78	60	40	M10	58	40	15	RJUM-06-25 LL
30	35	59	87	68	45	M10	68	48	15	RJUM-06-30 LL
40	45	76	108	86	58	M12	80	62	20	RJUM-06-40 LL
50	50	89	132	108	50	M16	100	78	24	RJUM-06-50 LL

Technical data

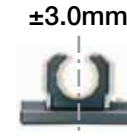
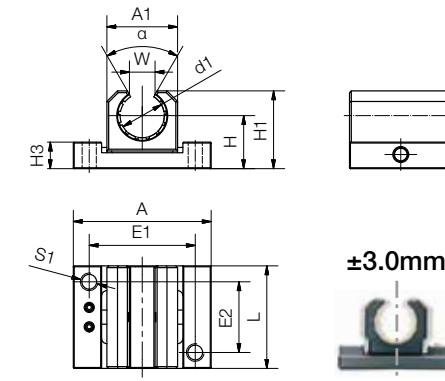
Part No.	d1 tolerance ⁷⁸⁾ [mm]	Fmax. static or dynamic ⁸²⁾ [N]	Weight [g]
RJUM-06-12 LL	+0.030 +0.088	560	50
RJUM-06-16 LL	+0.030 +0.088	920	80
RJUM-06-20 LL	+0.030 +0.091	2,100	130
RJUM-06-25 LL	+0.030 +0.091	3,550	280
RJUM-06-30 LL	+0.040 +0.110	5,300	430
RJUM-06-40 LL	+0.040 +0.115	8,000	850
RJUM-06-50 LL	+0.050 +0.150	12,500	1,550

Available with drylin® liners (optional: J200/A180):



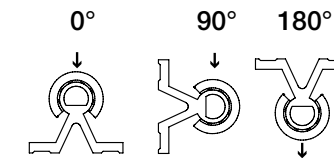
drylin® R pillow blocks | Product range

Open, anodised aluminium, floating pillow blocks



Order key

Type	Size	Options
O J U M-06-12 - LL		
Open	iglidur® J	Floating bearing
Liner	Metric	
Long design	Inner Ø d1	



- Compensation of parallelism errors up to 6mm

i ⁷⁸⁾ According to igus® testing method ▶ Page 1146
⁸²⁾ Design tips ▶ Page 1078
 Please note: Installation instructions ▶ Page 1079
 Floating bearing ▶ Page 1078

Dimensions [mm]

d1	H	H1	A	E1	E2	S1	L	A1	H3	W	α	Part No.
	±0.01			±0.15	±0.15					-1	[°]	
12	18	24.5	43	32	23	M5	32	20	11	10.2	90	OJUM-06-12 LL
16	22	30.5	53	40	26	M6	36	26	11	11.6	90	OJUM-06-16 LL
20	25	37.0	60	45	32	M8	45	32	12.5	12.0	60	OJUM-06-20 LL
25	30	44.0	78	60	40	M10	58	40	15	14.5	60	OJUM-06-25 LL
30	35	52.5	87	68	45	M10	68	48	15	16.8	60	OJUM-06-30 LL
40	45	69.0	108	86	58	M12	80	62	20	21.0	60	OJUM-06-40 LL
50	50	80.0	132	108	50	M16	100	78	24	25.5	60	OJUM-06-50 LL

Technical data

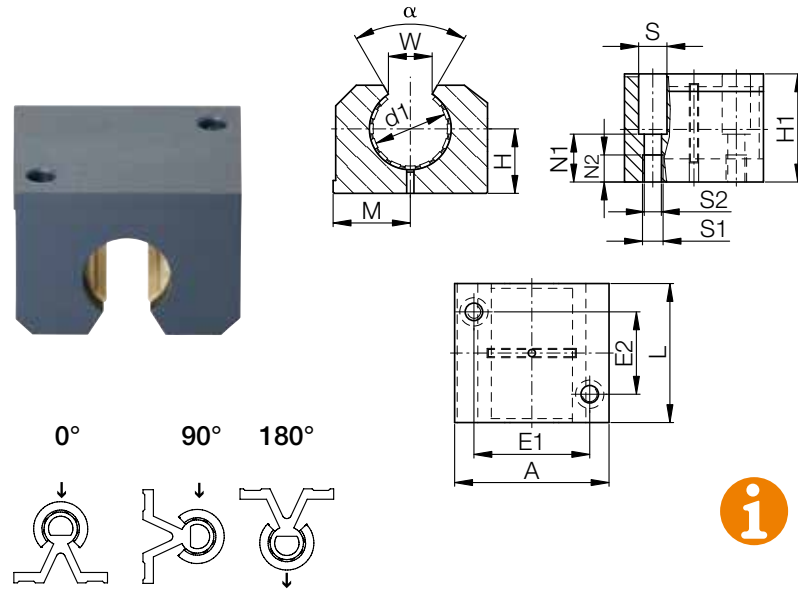
Part No.	d1 tolerance ⁷⁸⁾ [mm]	Fmax. static or dynamic ⁸²⁾ [N]	Fmax. static ⁸²⁾ with load at 180° [N]	Weight [g]
OJUM-06-12 LL	+0.030 +0.088	560	240	40
OJUM-06-16 LL	+0.030 +0.088	920	400	70
OJUM-06-20 LL	+0.030 +0.091	2,100	900	115
OJUM-06-25 LL	+0.030 +0.091	3,550	1,520	240
OJUM-06-30 LL	+0.040 +0.110	5,100	2,280	370
OJUM-06-40 LL	+0.040 +0.115	8,000	3,800	750
OJUM-06-50 LL	+0.050 +0.150	12,500	6,100	1,400

Available with drylin® liners (optional: J200/A180):



drylin® R pillow blocks | Product range

Open, anodised aluminium housing, long design



Order key

Type	Size
Open	O J U M-06-12
iglidur® J	
Liner	
Metric	
Long design	
Inner Ø d1	

i ⁷⁸⁾ According to igus® testing method ▶ Page 1146
⁸²⁾ Design tips ▶ Page 1078
 Please note: Installation instructions ▶ Page 1079

Dimensions [mm]

d1	H	H1	A	M	E1	E2	S	S1	S2	N1	N2	W	α	L	Part No.
	+0.01; -0.014			±0.02	±0.15	±0.15						-1	[°]		
12	18	28	43	21.5	32	23	8.0	M5	4.3	16.5	11	10.2	78	39	OJUM-06-12
16	22	35	53	26.5	40	26	10.0	M6	5.3	21.0	13	11.6	78	43	OJUM-06-16
20	25	42	60	30.0	45	32	11.0	M8	6.6	24.0	18	12.0	60	54	OJUM-06-20
25	30	51	78	39.0	60	40	15.0	M10	8.4	29.0	22	14.5	60	67	OJUM-06-25
30	35	60	87	43.5	68	45	15.0	M10	8.4	34.0	22	16.6	57	79	OJUM-06-30
40	45	77	108	54.0	86	58	18.0	M12	10.5	44.0	26	21.0	56	91	OJUM-06-40
50	50	88	132	66.0	108	50	20.0	M16	13.5	49.0	34	25.5	54	113	OJUM-06-50

Technical data

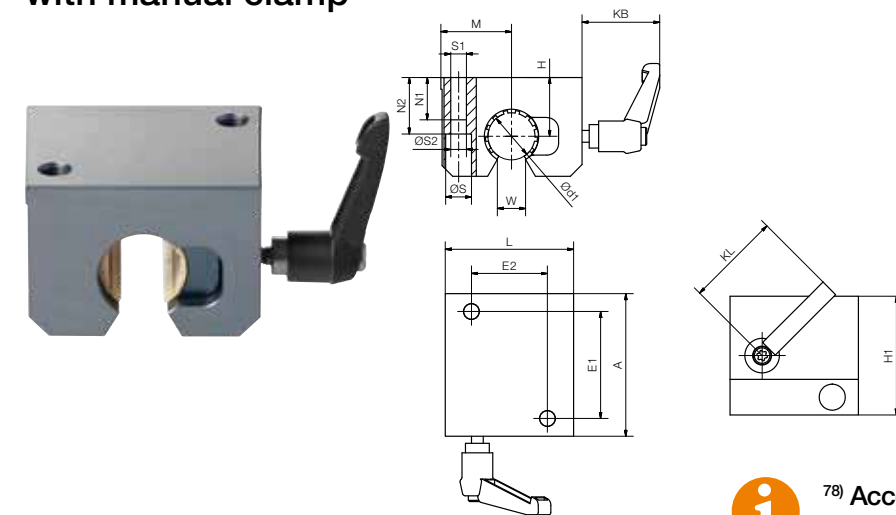
Part No.	d1 tolerance ⁷⁸⁾	Fmax. dynamic ⁸²⁾			Fmax. static ⁸²⁾			Weight [g]
		p = 5MPa			p = 35MPa			
		0°	90°	180°	0°	90°	180°	
OJUM-06-12	+0.030 +0.088	960	635	240	6,720	4,445	1,680	95
OJUM-06-16	+0.030 +0.088	1440	990	396	10,080	6,943	2,772	158
OJUM-06-20	+0.030 +0.091	2250	1,800	900	15,750	12,600	6,300	266
OJUM-06-25	+0.030 +0.091	3625	2,953	1,523	25,375	20,670	10,658	530
OJUM-06-30	+0.040 +0.110	5100	4,250	2,278	35,700	29,735	15,946	818
OJUM-06-40	+0.040 +0.115	8000	6,810	3,800	56,000	47,660	26,600	1,485
OJUM-06-50	+0.050 +0.150	12,500	10,750	6,125	87,500	75,265	42,875	2,750

Available with drylin® liners (optional: J200/A180):



drylin® R pillow blocks | Product range

Open, anodised aluminium housing, long design with manual clamp



Order key

Type	Size	Options
Open	O J U M-06-12	-HK
iglidur® J		
Liner		
Metric		
Long design		
Inner Ø d1		
Manual clamp		

i ⁷⁸⁾ According to igus® testing method ▶ Page 1146
⁸²⁾ Design tips ▶ Page 1078
 Please note: Installation instructions ▶ Page 1079

Dimensions [mm]

d1	H	H1	A	M	E1	E2	S	S1	S2	N1	N2	W	L	KL	KB	Part No.
	+0.01; -0.014			±0.02	±0.15	±0.15						-1				
12	18	28	43	21.5	32	23	8	M5	4.3	16.5	11	10.2	39	40	33	OJUM-06-12-HK
16	22	35	53	26.5	40	26	10	M6	5.3	21	13	11.6	43	40	33	OJUM-06-16-HK
20	25	42	60	30.0	45	32	11	M8	6.6	24	18	12.0	54	40	33	OJUM-06-20-HK
25	30	51	78	39.0	60	40	15	M10	8.4	29	22	14.5	67	65	46	OJUM-06-25-HK
30	35	60	87	43.5	68	45	15	M10	8.4	34	22	16.6	79	65	46	OJUM-06-30-HK
40	45	77	108	54.0	86	58	18	M12	10.5	44	26	21.0	91	65	46	OJUM-06-40-HK
50	50	88	132	66.0	108	50	20	M16	13.5	49	34	25.5	113	65	46	OJUM-06-50-HK

Technical data

Part No.	d1 tolerance ⁷⁸⁾	Fmax. dynamic ⁸²⁾			Fmax. static ⁸²⁾			Clamp force axial [N]	Weight [g]
		p = 5MPa			p = 35MPa				
		0°	90°	180°	0°	90°	180°		
OJUM-06-12-HK	+0.030 +0.088	960	635	240	6720	4445	1680	400	0.098
OJUM-06-16-HK	+0.030 +0.088	1440	990	396	10080	6943	2772	400	0.164
OJUM-06-20-HK	+0.030 +0.091	2250	1800	900	15750	12600	6300	400	0.275
OJUM-06-25-HK	+0.030 +0.091	3625	2953	1523	25375	20670	10658	1,000	0.544
OJUM-06-30-HK	+0.040 +0.110	5100	4250	2278	35700	29735	15946	1,000	0.832
OJUM-06-40-HK	+0.040 +0.115	8000	6810	3800	56000	47660	26600	1,000	1.513
OJUM-06-50-HK	+0.050 +0.150	12500	10750	6125	87500	75265	42875	1,000	2.568

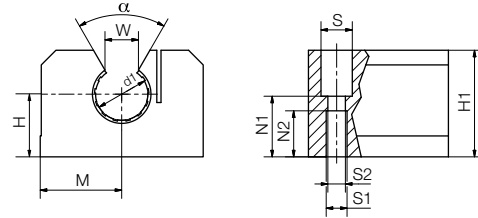
Available with drylin® liners (optional: J200/A180):



drylin® R pillow blocks | Product range

Open, anodised aluminium housing, long design, adjustable

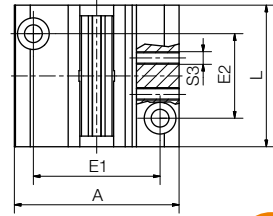
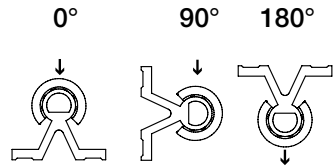
My sketches



Type Size

O J U M E-06-12

Open	iglidur® J	Liner	Metric	Adjustable	Long design	Inner Ø d1
------	------------	-------	--------	------------	-------------	------------



⁷⁸⁾ According to igus® testing method ▶ Page 1146

⁸²⁾ Design tips ▶ Page 1078

Please note: Installation instructions ▶ Page 1079

● With two set screws (DIN 913), clearance adjustment possible

Dimensions [mm]

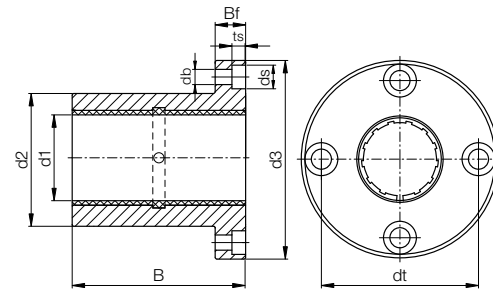
d1	H	H1	A	M	E1	E2	S	S1	S2	S3	N1	N2	W	α	L	Part No.
+0.01; -0.014				±0.02	±0.15	±0.15							-1	[°]		
12	18	28	43	21.5	32	23	8.0	M5	4.3	M4	16.5	11	10.2	78	39	OJUME-06-12
16	22	35	53	26.5	40	26	10.0	M6	5.3	M4	21.0	13	11.6	78	43	OJUME-06-16
20	25	42	60	30.0	45	32	11.0	M8	6.6	M5	24.0	18	12.0	60	54	OJUME-06-20
25	30	51	78	39.0	60	40	15.0	M10	8.4	M6	29.0	22	14.5	60	67	OJUME-06-25
30	35	60	87	43.5	68	45	15.0	M10	8.4	M6	34.0	22	16.6	57	79	OJUME-06-30
40	45	77	108	54.0	86	58	18.0	M12	10.5	M8	44.0	26	21.0	56	91	OJUME-06-40
50	50	88	132	66.0	108	50	20.0	M16	13.5	M8	49.0	34	25.5	54	113	OJUME-06-50

Technical data

Part No.	d1 tolerance ⁷⁸⁾	Fmax. dynamic ⁸²⁾			Fmax. static ⁸²⁾			Weight [g]
		p = 5MPa			p = 35MPa			
		0°	90°	180°	0°	90°	180°	
OJUME-06-12	Adjustable	960	635	240	6,720	4,445	1,680	100
OJUME-06-16	Adjustable	1,440	990	396	10,080	6,943	2,772	160
OJUME-06-20	Adjustable	2,250	1,800	900	15,750	12,600	6,300	270
OJUME-06-25	Adjustable	3,625	2,953	1,523	25,375	20,670	10,658	530
OJUME-06-30	Adjustable	5,100	4,250	2,278	35,700	29,735	15,946	820
OJUME-06-40	Adjustable	8,000	6,810	3,800	56,000	47,660	26,600	1,490
OJUME-06-50	Adjustable	12,500	10,750	6,125	87,500	75,265	42,875	2,750

Available with drylin® liners (optional: J200/A180):





i ⁷⁸⁾ According to igus® testing method ▶ Page 1146
⁸²⁾ Design tips ▶ Page 1078
Please note: Installation instructions ▶ Page 1079

Dimensions [mm]

d1	d2 h7	d3	dt	B	Bf	ts	db	ds	Part No.
8.0	16	32	24	25	8	3.1	3.5	6.0	FJZM-01-08
10.0	19	39	29	29	9	4.1	4.5	7.5	FJUM-01-10
10.4	19	39	29	29	9	4.1	4.5	7.5	FJUM-01-10-LL
12.0	22	42	32	32	9	4.1	4.5	7.5	FJUM-01-12
12.4	22	42	32	32	9	4.1	4.5	7.5	FJUM-01-12-LL
16.0	26	46	36	36	9	4.1	4.5	7.5	FJUM-01-16
16.4	26	46	36	36	9	4.1	4.5	7.5	FJUM-01-16-LL
20.0	32	54	43	45	11	5.1	5.5	9.0	FJUM-01-20
20.5	32	54	43	45	11	5.1	5.5	9.0	FJUM-01-20-LL
25.0	40	62	51	58	11	5.1	5.5	9.0	FJUM-01-25
25.5	40	62	51	58	11	5.1	5.5	9.0	FJUM-01-25-LL
30.0	47	76	62	68	14	6.1	6.6	11.0	FJUM-01-30
30.6	47	76	62	68	14	6.1	6.6	11.0	FJUM-01-30-LL
40.0	62	98	80	80	18	8.1	9.0	14.0	FJUM-01-40
50.0	75	112	94	100	18	8.1	9.0	14.0	FJUM-01-50

Available with drylin® liners (optional: J200/A180):



Type: Type Size: Size

F J U M-01-10-LL

- With flange
- iglidur® J
- Liner
- Metric
- Round design
- Inner Ø d1

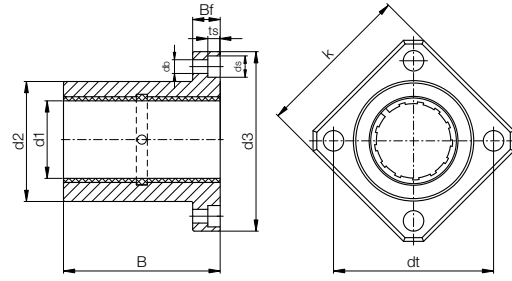
Option:
LL: Floating bearing

Technical data

Part No.	d1 tolerance ⁷⁸⁾	Fmax. dynamic ⁸²⁾	Fmax. static ⁸²⁾	Weight
	[mm]	p = 5MPa [N]	p = 35MPa [N]	
FJZM-01-08	+0.032 +0.070	960	6,720	20
FJUM-01-10	+0.030 +0.088	725	5,075	32
FJUM-01-10-LL	+0.030 +0.088	725	5,075	32
FJUM-01-12	+0.030 +0.088	960	6,720	42
FJUM-01-12-LL	+0.030 +0.088	960	6,720	42
FJUM-01-16	+0.030 +0.088	1,440	10,080	51
FJUM-01-16-LL	+0.030 +0.088	1,440	10,080	51
FJUM-01-20	+0.030 +0.091	2,250	15,750	88
FJUM-01-20-LL	+0.030 +0.091	2,250	15,750	88
FJUM-01-25	+0.030 +0.091	3,625	25,375	152
FJUM-01-25-LL	+0.030 +0.091	3,625	25,375	152
FJUM-01-30	+0.040 +0.110	5,100	35,700	266
FJUM-01-30-LL	+0.040 +0.110	5,100	35,700	266
FJUM-01-40	+0.040 +0.115	8,000	56,000	552
FJUM-01-50	+0.050 +0.150	12,500	87,500	853

drylin® R flanged linear plain bearings | Product range

Closed, anodised aluminium adapter, square flange



⁷⁸⁾ According to igus® testing method ► Page 1146

⁸²⁾ Design tips ► Page 1078

Please note: Installation instructions ► Page 1079

Dimensions [mm]

d1 ±0.01	d2 h7	d3	dt ±0.15	k ±0.15	B	Bf	ts	db	ds	Part No.
8.0	16	32	24	25	25	8	3.1	3.5	6.0	FJZM-02-08 ⁸²⁾
10.0	19	39	29	30	29	9	4.1	4.5	7.5	FJUM-02-10
10.4	19	39	29	30	29	9	4.1	4.5	7.5	FJUM-02-10-LL
12.0	22	42	32	32	32	9	4.1	4.5	7.5	FJUM-02-12
12.4	22	42	32	32	32	9	4.1	4.5	7.5	FJUM-02-12-LL
16.0	26	46	36	35	36	9	4.1	4.5	7.5	FJUM-02-16
16.4	26	46	36	35	36	9	4.1	4.5	7.5	FJUM-02-16-LL
20.0	32	54	43	42	45	11	5.1	5.5	9.0	FJUM-02-20
20.5	32	54	43	42	45	11	5.1	5.5	9.0	FJUM-02-20-LL
25.0	40	62	51	50	58	11	5.1	5.5	9.0	FJUM-02-25
25.5	40	62	51	50	58	11	5.1	5.5	9.0	FJUM-02-25-LL
30.0	47	76	62	60	68	14	6.1	6.6	11.0	FJUM-02-30
30.6	47	76	62	60	68	14	6.1	6.6	11.0	FJUM-02-30-LL
40.0	62	98	80	75	80	18	8.1	9.0	14.0	FJUM-02-40
50.0	75	112	94	88	100	18	8.1	9.0	14.0	FJUM-02-50

Available with drylin® liners (optional: J200/A180):



J



E7



X

drylin® R flanged linear plain bearings | Product range



Order key

Type	Size
F J U M-02-10-LL	
With flange	
iglidur® J	
Liner	
Metric	
Square design	
Inner Ø d1	

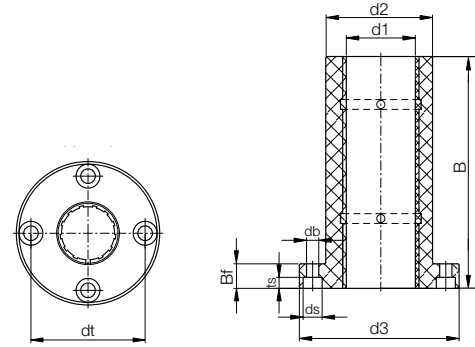
Option:
LL: Floating bearing

Technical data

Part No.	d1 tolerance ⁷⁸⁾	Fmax. static or dynamic ⁸²⁾	Fmax. static ⁸²⁾ with	Weight
	[mm]		load at 180°	
		[N]	[N]	[g]
FJZM-02-08 ⁸²⁾	+0.032 +0.070	960	6,720	17
FJUM-02-10	+0.030 +0.088	725	5,075	25
FJUM-02-10-LL	+0.030 +0.088	725	5,075	25
FJUM-02-12	+0.030 +0.088	960	6,720	32
FJUM-02-12-LL	+0.030 +0.088	960	6,720	32
FJUM-02-16	+0.030 +0.088	1,440	10,080	41
FJUM-02-16-LL	+0.030 +0.088	1,440	10,080	41
FJUM-02-20	+0.030 +0.091	2,250	15,750	73
FJUM-02-20-LL	+0.030 +0.091	2,250	15,750	73
FJUM-02-25	+0.030 +0.091	3,625	25,375	135
FJUM-02-25-LL	+0.030 +0.091	3,625	25,375	135
FJUM-02-30	+0.040 +0.110	5,100	35,700	228
FJUM-02-30-LL	+0.040 +0.110	5,100	35,700	228
FJUM-02-40	+0.040 +0.115	8,000	56,000	454
FJUM-02-50	+0.050 +0.150	12,500	87,500	735

drylin® R flanged linear plain bearings | Product range

Closed, anodised aluminium adapter, round flange, tandem design



● Equipped with two liners to increase the guide length

i ⁷⁸⁾ According to igus® testing method ► Page 1146
⁸⁵⁾ Fitted with two pieces of JSM-0810-16
 Please note: Installation instructions ► Page 1079

Dimensions [mm]

d1	d2 h7	d3	dt	B	Bf	ts	db	ds	Part No.
8.0	16	32	24	45	8	3.1	3.5	6.0	FJZMT-01-08 ⁸⁵⁾
10.0	19	39	29	52	9	4.1	4.5	7.5	FJUMT-01-10
10.4	19	39	29	52	9	4.1	4.5	7.5	FJUMT-01-10-LL
12.0	22	42	32	57	9	4.1	4.5	7.5	FJUMT-01-12
12.4	22	42	32	57	9	4.1	4.5	7.5	FJUMT-01-12-LL
16.0	26	46	36	70	9	4.1	4.5	7.5	FJUMT-01-16
16.4	26	46	36	70	9	4.1	4.5	7.5	FJUMT-01-16-LL
20.0	32	54	43	80	11	5.1	5.5	9.0	FJUMT-01-20
20.5	32	54	43	80	11	5.1	5.5	9.0	FJUMT-01-20-LL
25.0	40	62	51	112	11	5.1	5.5	9.0	FJUMT-01-25
25.5	40	62	51	112	11	5.1	5.5	9.0	FJUMT-01-25-LL
30.0	47	76	62	123	14	6.1	6.6	11.0	FJUMT-01-30
30.6	47	76	62	123	14	6.1	6.6	11.0	FJUMT-01-30-LL
40.0	62	98	80	151	18	8.1	9.0	14.0	FJUMT-01-40
50.0	75	112	94	192	18	8.1	9.0	14.0	FJUMT-01-50

Available with drylin® liners (optional: J200/A180):



drylin® R flanged linear plain bearings | Product range



Type Size

F J U M T-01-10-LL

- With flange
- iglidur® J
- Liner
- Metric
- Tandem
- Round design
- Inner Ø d1

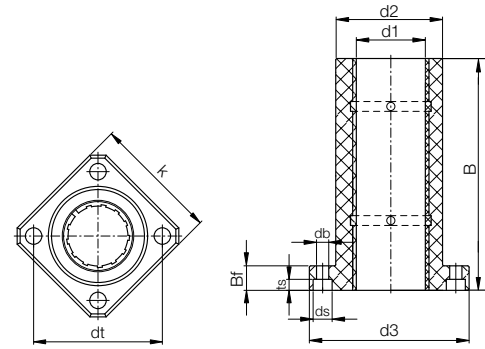
Option:
LL: Floating bearing

Technical data

Part No.	Dimension nominal diameter [mm]	d1 tolerance ⁷⁸⁾ [mm]	Guide length [mm]	Projected bearing surface [N]	Weight [g]
FJZMT-01-08 ⁸⁵⁾	8	+0.032 +0.070	45	256	27.13
FJUMT-01-10	10	+0.030 +0.088	52	250	43.75
FJUMT-01-10-LL	10	+0.030 +0.088	52	250	43.75
FJUMT-01-12	12	+0.030 +0.088	57	324	57.00
FJUMT-01-12-LL	12	+0.030 +0.088	57	324	57.00
FJUMT-01-16	16	+0.030 +0.088	70	464	78.28
FJUMT-01-16-LL	16	+0.030 +0.088	70	464	78.28
FJUMT-01-20	20	+0.030 +0.091	80	580	126.42
FJUMT-01-20-LL	20	+0.030 +0.091	80	580	126.42
FJUMT-01-25	25	+0.030 +0.091	112	975	248.85
FJUMT-01-25-LL	25	+0.030 +0.091	112	975	248.85
FJUMT-01-30	30	+0.040 +0.110	123	1,470	388.37
FJUMT-01-30-LL	30	+0.040 +0.110	123	1,470	388.37
FJUMT-01-40	40	+0.040 +0.115	151	2,360	835.00
FJUMT-01-50	50	+0.050 +0.150	192	3,450	1,352.30

drylin® R flanged linear plain bearings | Product range

Closed, anodised aluminium adapter, square flange, tandem design



● Equipped with two liners to increase the guide length

i ⁷⁸⁾ According to igus® testing method ► Page 1146
⁸⁵⁾ Fitted with two pieces of JSM-0810-16
 Please note: Installation instructions ► Page 1079

Dimensions [mm]

d1	d2 h7	d3	dt	k	B	Bf	ts	db	ds	Part No.
8.0	16	32	24	25	45	8	3.1	3.5	6.0	FJZMT-02-08 ⁸⁵⁾
10.0	19	39	29	30	52	9	4.1	4.5	7.5	FJUMT-02-10
10.4	19	39	29	30	52	9	4.1	4.5	7.5	FJUMT-02-10-LL
12.0	22	42	32	32	57	9	4.1	4.5	7.5	FJUMT-02-12
12.4	22	42	32	32	57	9	4.1	4.5	7.5	FJUMT-02-12-LL
16.0	26	46	36	35	70	9	4.1	4.5	7.5	FJUMT-02-16
16.4	26	46	36	35	70	9	4.1	4.5	7.5	FJUMT-02-16-LL
20.0	32	54	43	42	80	11	5.1	5.5	9.0	FJUMT-02-20
20.5	32	54	43	42	80	11	5.1	5.5	9.0	FJUMT-02-20-LL
25.0	40	62	51	50	112	11	5.1	5.5	9.0	FJUMT-02-25
25.5	40	62	51	50	112	11	5.1	5.5	9.0	FJUMT-02-25-LL
30.0	47	76	62	60	123	14	6.1	6.6	11.0	FJUMT-02-30
30.6	47	76	62	60	123	14	6.1	6.6	11.0	FJUMT-02-30-LL
40.0	62	98	80	75	151	18	8.1	9.0	14.0	FJUMT-02-40
50.0	75	112	94	88	192	18	8.1	9.0	14.0	FJUMT-02-50

Available with drylin® liners (optional: J200/A180):



drylin® R flanged linear plain bearings | Product range



Type Size

F J U M T-02-10-LL

- With flange
- iglidur® J
- Liner
- Metric
- Tandem
- Square design
- Inner Ø d1

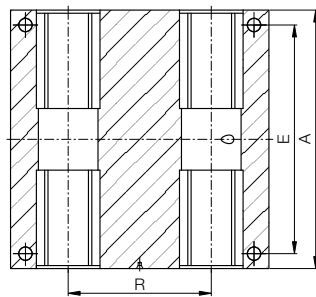
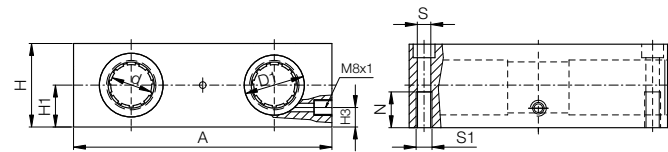
Option:
LL: Floating bearing

Technical data

Part No.	Dimension	d1 tolerance ⁷⁸⁾	Guide length	Projected bearing surface	Weight
	nominal diameter	[mm]			
	[mm]	[mm]	[mm]	[N]	[g]
FJZMT-02-08 ⁸⁵⁾	8	+0.032 +0.070	45	256	23.00
FJUMT-02-10	10	+0.030 +0.088	52	250	36.58
FJUMT-02-10-LL	10	+0.030 +0.088	52	250	36.58
FJUMT-02-12	12	+0.030 +0.088	57	324	48.19
FJUMT-02-12-LL	12	+0.030 +0.088	57	324	48.19
FJUMT-02-16	16	+0.030 +0.088	70	464	67.79
FJUMT-02-16-LL	16	+0.030 +0.088	70	464	67.79
FJUMT-02-20	20	+0.030 +0.091	80	580	110.06
FJUMT-02-20-LL	20	+0.030 +0.091	80	580	110.06
FJUMT-02-25	25	+0.030 +0.091	112	975	230.06
FJUMT-02-25-LL	25	+0.030 +0.091	112	975	230.06
FJUMT-02-30	30	+0.040 +0.110	123	1,470	350.74
FJUMT-02-30-LL	30	+0.040 +0.110	123	1,470	350.74
FJUMT-02-40	40	+0.040 +0.115	151	2,360	739.30
FJUMT-02-50	50	+0.050 +0.150	192	3,450	1,249.30



● Housing: Aluminium, equipped with four drylin® R linear plain bearings



Dimensions [mm]

d	D1	A	H	H1	H3	R	N	E	S	S1	Part No. Standard with RJUM-01	Self-aligning with RJUM-03	Solid plastic bearings with RJM-01
8	16	65	23	11.5	8	32	11	55	4.3	M5	RQA-01-08	–	RQA-04-08
10	19	70	25	12.5	10	34	13	60	4.3	M5	RQA-01-10	RQA-03-10	RQA-04-10
12	22	85	32	16	13	42	13	73	5.3	M6	RQA-01-12	RQA-03-12	RQA-04-12
16	26	100	36	18	15	54	13	88	5.3	M6	RQA-01-16	RQA-03-16	RQA-04-16
20	32	130	46	23	19	72	18	115	6.6	M8	RQA-01-20	RQA-03-20	RQA-04-20
25	40	160	56	28	24	88	22	140	8.4	M10	RQA-01-25	RQA-03-25	RQA-04-25
30	47	180	64	32	27	96	26	158	10.5	M12	RQA-01-30	RQA-03-30	RQA-04-30
40	62	230	80	40	35	122	34	202	13.5	M16	RQA-01-40	RQA-03-40	RQA-04-40

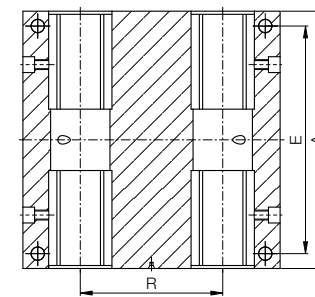
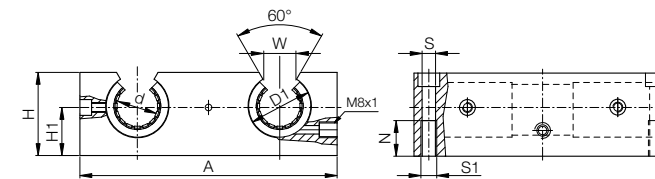
Are equipped with:



Available with drylin® liners (optional: J200/A180):



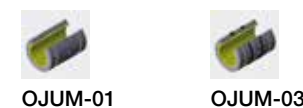
● Housing: Aluminium, equipped with four drylin® R linear plain bearings



Dimensions [mm]

d	D1	A	H	H1	W	R	N	E	S	S1	Part No. Standard with OJUM-01	Self-aligning with OJUM-03
12	22	85	30	18	14	42	13	73	5.3	M6	OQA-01-12	OQA-03-12
16	26	100	35	22	17	54	13	88	5.3	M6	OQA-01-16	OQA-03-16
20	32	130	42	25	17	72	18	115	6.8	M8	OQA-01-20	OQA-03-20
25	40	160	51	30	21	88	22	140	9.0	M10	OQA-01-25	OQA-03-25
30	47	180	60	35	21	96	26	158	10.5	M12	OQA-01-30	OQA-03-30
40	62	230	77	45	27	122	34	202	13.5	M16	OQA-01-40	OQA-03-40

Are equipped with:



Available with drylin® liners (optional: J200/A180):



Order key

Type	Option	Size
RQA-01-10		
Quad block with RJUM bearings	Aluminium housing	Standard with RJUM-01
		Inner Ø d1

Options:

- 01: Standard with RJUM-01
- 03: with RJUM-03
- 04: with RJM-01

i Please note:
Installation instructions
► Page 1079

Order key

Type	Option	Size
OQA-01-12		
Quad block with OJUM bearings	Aluminium housing	Standard with OJUM-01
		Inner Ø d1

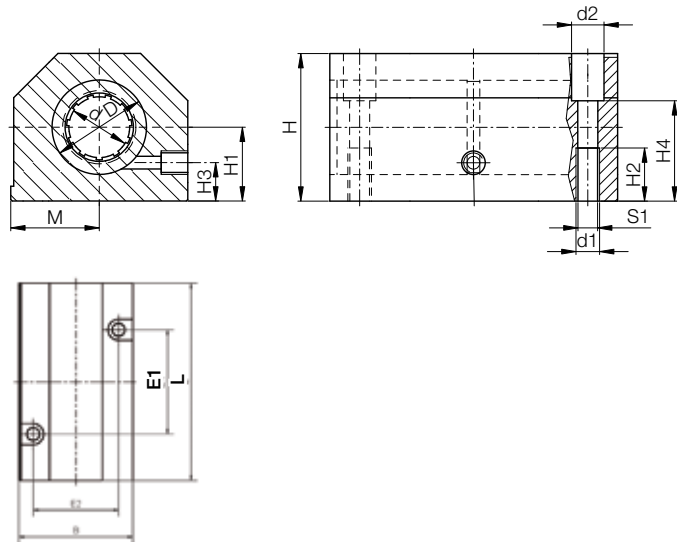
Options:

- 01: Standard with OJUM-01
- 03: with OJUM-03

i Please note:
Installation instructions
► Page 1079



● Housing: Aluminium, equipped with two drylin® R linear plain bearings to increase the guide length



Dimensions [mm]

d	D	H	H1	H2	H3	H4	S1	B	L	M	E1	E2	d1	d2	Part No.	Self-aligning	Solid plastic bearings
	H6		+0.01						+0.3	±0.02	±0.15	±0.15			Standard with RJUM-01	with RJUM-03	with RJM-01
			-0.02														
8	16	28	13	13	8	23	M5	35	62	17.5	35	25	4.20	8	RTA-01-08	-	RTA-04-08
12	22	35	18	13	10	25	M6	43	76	21.5	40	30	5.20	10	RTA-01-12	RTA-03-12	RTA-04-12
16	26	42	22	13	12	30	M6	53	84	26.5	45	36	5.20	10	RTA-01-16	RTA-03-16	RTA-04-16
20	32	50	25	18	13	34	M8	60	104	30.0	55	45	6.80	11	RTA-01-20	RTA-03-20	RTA-04-20
25	40	60	30	22	15	40	M10	78	130	39.0	70	54	8.60	15	RTA-01-25	RTA-03-25	RTA-04-25
30	47	70	35	26	16	48	M12	87	152	43.5	85	62	10.30	18	RTA-01-30	RTA-03-30	RTA-04-30
40	62	90	45	34	20	60	M16	108	176	54.0	100	80	14.25	20	RTA-01-40	RTA-03-40	RTA-04-40

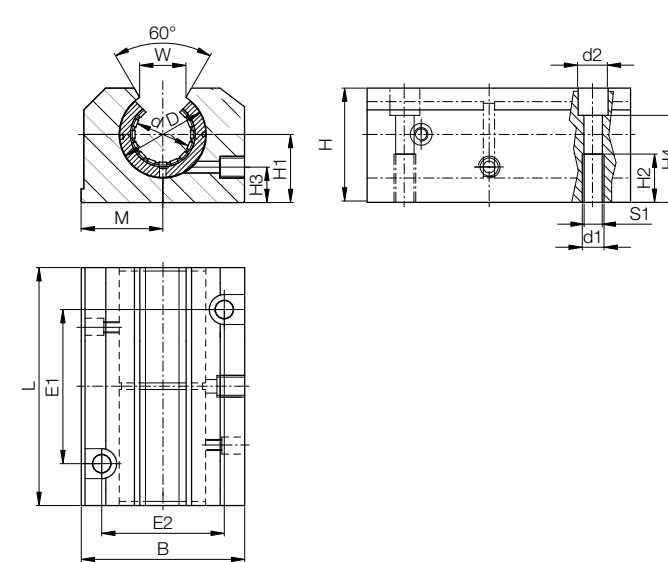
Are equipped with:



Available with drylin® liners (optional: J200/A180):



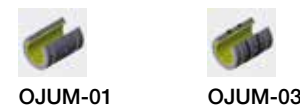
● Housing: Aluminium, equipped with two drylin® R linear plain bearings to increase the guide length



Dimensions [mm]

d	D	H	H1	H2	H3	H4	S1	B	L	M	E1	E2	d1	d2	W	Part No.	Self-aligning
	H6		+0.01						+0.3	±0.02	±0.15	±0.15				Standard with OJUM-01	with OJUM-03
			-0.02														
12	22	30	18	13	10	25	M6	43	76	21.5	40	30	5.20	10	14	OTA-01-12	OTA-03-12
16	26	35	22	13	12	30	M6	53	84	26.5	45	36	5.20	10	17	OTA-01-16	OTA-03-16
20	32	42	25	18	13	34	M8	60	104	30.0	55	45	6.80	11	17	OTA-01-20	OTA-03-20
25	40	51	30	22	15	40	M10	78	130	39.0	70	54	8.60	15	21	OTA-01-25	OTA-03-25
30	47	60	35	26	16	48	M12	87	152	43.5	85	62	10.30	18	21	OTA-01-30	OTA-03-30
40	62	77	45	34	20	60	M16	108	176	54.0	100	80	14.25	20	27	OTA-01-40	OTA-03-40

Are equipped with:



Available with drylin® liners (optional: J200/A180):



Order key

Type	Option	Size
Tandem housing with RJUM bearings	Aluminium housing	Standard with RJUM-01
		Inner Ø

Options:

- 01: Standard with RJUM-01
- 03: with RJUM-03
- 04: with RJM-01

i Please note:
Installation instructions
► Page 1079

Order key

Type	Option	Size
Tandem housing with OJUM bearings	Aluminium housing	Standard with OJUM-01
		Inner Ø

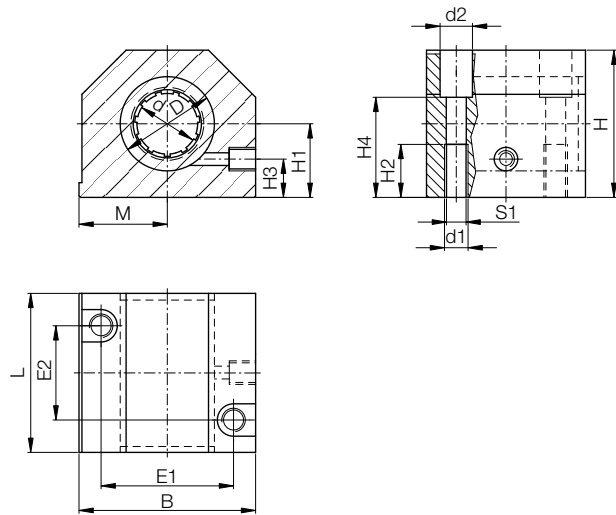
Options:

- 01: Standard with OJUM-01
- 03: with OJUM-03

i Please note:
Installation instructions
► Page 1079



● Housing: Aluminium, equipped with drylin® R linear plain bearings



Dimensions [mm]

d	D	H	H1	H2	H3	H4	S1	B	L	M	E1	E2	d1	d2	Part No.	Self-aligning	Solid plastic bearings
	H6		+0.01						±0.3	±0.02	±0.15	±0.15			Standard with RJUM-01	with RJUM-03	with RJM-01
			-0.02														
8	16	28	13	10	8	14	M4	35	32	17.5	25	20	3.2	6	RGA-01-08	-	RGA-04-08
12	22	35	18	11	10	25	M5	43	39	21.5	32	23	4.2	6	RGA-01-12	RGA-03-12	RGA-04-12
16	26	42	22	13	12	30	M6	53	43	26.5	40	26	5.2	10	RGA-01-16	RGA-03-16	RGA-04-16
20	32	50	25	18	13	34	M8	60	54	30.0	45	32	6.8	11	RGA-01-20	RGA-03-20	RGA-04-20
25	40	60	30	22	15	40	M10	78	67	39.0	60	40	8.6	15	RGA-01-25	RGA-03-25	RGA-04-25
30	47	70	35	22	16	48	M10	87	79	43.5	68	45	8.6	15	RGA-01-30	RGA-03-30	RGA-04-30
40	62	90	45	26	20	60	M12	108	91	54.0	86	58	10.3	18	RGA-01-40	RGA-03-40	RGA-04-40

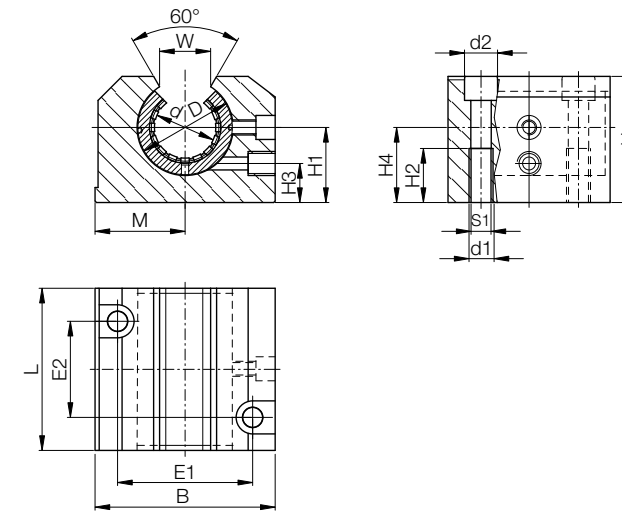
Are equipped with:



Available with drylin® liners (optional: J200/A180):



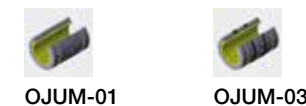
● Housing: Aluminium, equipped with drylin® R linear plain bearings



Dimensions [mm]

d	D	H	H1	H2	H3	H4	S1	B	L	M	E1	E2	d1	d2	W	Part No.	Self-aligning
	H6		+0.01						±0.3	±0.02	±0.15	±0.15			+0.6	Standard with OJUM-01	with OJUM-03
			-0.02														
12	22	28	18	11	8	25	M5	43	39	21.5	32	23	4.2	8	14	OGA-01-12	OGA-03-12
16	26	35	22	13	12	30	M6	53	43	26.5	40	26	5.2	10	17	OGA-01-16	OGA-03-16
20	32	42	25	18	13	34	M8	60	54	30.0	45	32	6.8	11	17	OGA-01-20	OGA-03-20
25	40	51	30	22	15	40	M10	78	67	39.0	60	40	8.6	15	21	OGA-01-25	OGA-03-25
30	47	60	35	22	16	48	M10	87	79	43.5	68	45	8.6	15	21	OGA-01-30	OGA-03-30
40	62	77	45	26	20	60	M12	108	91	54.0	86	58	10.3	18	27	OGA-01-40	OGA-03-40

Are equipped with:

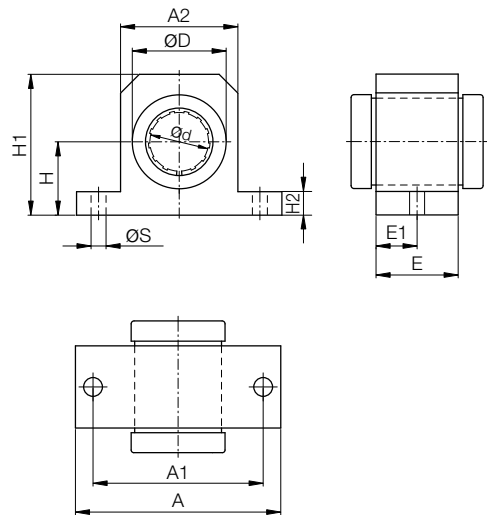


Available with drylin® liners (optional: J200/A180):





- Housing: Aluminium, equipped with drylin® R linear plain bearings
- Variations:
 - Standard: RGAS-01-Ø
 - Self-aligning: RGAS-03-Ø
 - Solid plastic bearing (cost-effective, lightweight): RGAS-04-Ø



Dimensions [mm]

d	D	H	H1	H2	A	A1	A2	E	E1	S	Part No. Standard with RJUM-01	Self-aligning with RJUM-03	Solid plastic bearings with RJM-01
12	22	18	35.0	6	52	42	30	20	10	5.3	RGAS-01-12	RGAS-03-12	RGAS-04-12
16	26	22	40.5	7	56	46	34	22	11	5.3	RGAS-01-16	RGAS-03-16	RGAS-04-16
20	32	25	48.0	8	70	58	40	28	14	6.4	RGAS-01-20	RGAS-03-20	RGAS-04-20
25	40	30	58.0	10	80	68	50	40	20	6.4	RGAS-01-25	RGAS-03-25	RGAS-04-25
30	47	35	67.0	10	88	76	58	48	24	6.4	RGAS-01-30	RGAS-03-30	RGAS-04-30
40	62	45	85.0	12	108	94	74	56	28	8.4	RGAS-01-40	RGAS-03-40	RGAS-04-40

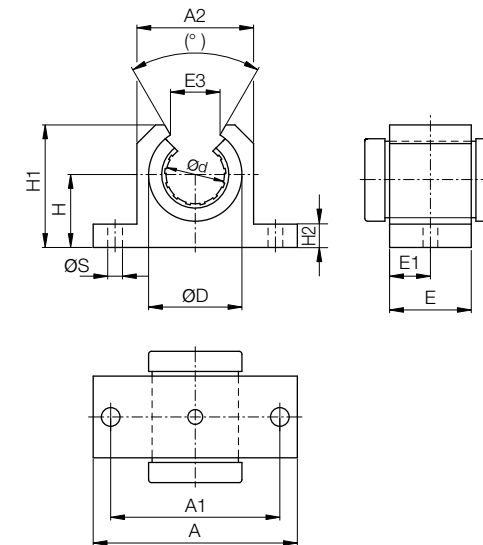
Are equipped with:



Available with drylin® liners (optional: J200/A180):



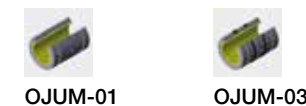
- Housing: Aluminium, equipped with drylin® R linear plain bearings
- Variations:
 - Standard: OGAS-01-Ø
 - Self-aligning: OGAS-03-Ø



Dimensions [mm]

d	D	H	H1	H2	A	A1	A2	E	E1	E3	(°)	S	Part No. Standard with OJUM-01	Self-aligning with OJUM-03
12	22	18	28	6	52	42	30	20	10	14	78	5.3	OGAS-01-12	OGAS-03-12
16	26	22	33.5	7	56	46	34	22	11	17	78	5.3	OGAS-01-16	OGAS-03-16
20	32	25	42	8	70	58	40	28	14	17	60	6.4	OGAS-01-20	OGAS-03-20
25	40	30	51	10	80	68	50	40	20	21	60	6.4	OGAS-01-25	OGAS-03-25
30	47	35	60	10	88	76	58	48	24	21	54	6.4	OGAS-01-30	OGAS-03-30
40	62	45	77	12	108	94	74	56	28	27	54	8.4	OGAS-01-40	OGAS-03-40

Are equipped with:



Available with drylin® liners (optional: J200/A180):



Order key

Type	Option	Size
Linear housing with RJUM bearing	Aluminium housing	Small
Standard with RJUM-01		Inner Ø

- Options:
- 01: Standard with RJUM-01
 - 03: with RJUM-03
 - 04: with RJM-01

i Please note:
Installation instructions
► Page 1079

Order key

Type	Option	Size
Linear housing with OJUM bearing	Aluminium housing	Small
Standard with OJUM-01		Inner Ø

- Options:
- 01: Standard with OJUM-01
 - 03: with OJUM-03

i Please note:
Installation instructions
► Page 1079