

<sup>78)</sup> According to igus® testing method ► Page 1146

<sup>82)</sup> Design tips ► Page 1078

Please note: Installation instructions ► Page 1079

#### Dimensions [mm]

d1	d2 h7	d3	dt	B	Bf	ts	db	ds	Part No.
8.0	16	32	24	25	8	3.1	3.5	6.0	FJZM-01-08
10.0	19	39	29	29	9	4.1	4.5	7.5	FJUM-01-10
10.4	19	39	29	29	9	4.1	4.5	7.5	FJUM-01-10-LL
12.0	22	42	32	32	9	4.1	4.5	7.5	FJUM-01-12
12.4	22	42	32	32	9	4.1	4.5	7.5	FJUM-01-12-LL
16.0	26	46	36	36	9	4.1	4.5	7.5	FJUM-01-16
16.4	26	46	36	36	9	4.1	4.5	7.5	FJUM-01-16-LL
20.0	32	54	43	45	11	5.1	5.5	9.0	FJUM-01-20
20.5	32	54	43	45	11	5.1	5.5	9.0	FJUM-01-20-LL
25.0	40	62	51	58	11	5.1	5.5	9.0	FJUM-01-25
25.5	40	62	51	58	11	5.1	5.5	9.0	FJUM-01-25-LL
30.0	47	76	62	68	14	6.1	6.6	11.0	FJUM-01-30
30.6	47	76	62	68	14	6.1	6.6	11.0	FJUM-01-30-LL
40.0	62	98	80	80	18	8.1	9.0	14.0	FJUM-01-40
50.0	75	112	94	100	18	8.1	9.0	14.0	FJUM-01-50

Available with drylin® liners (optional: J200/A180):



J



E7



X



Order key

Type

Size

F J U M-01-10-LL

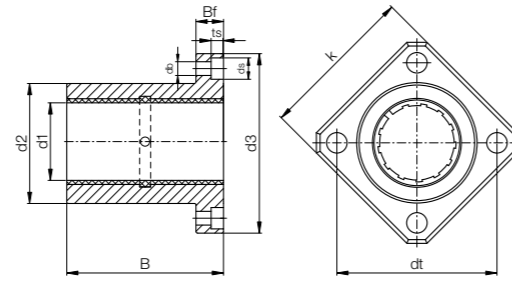


Option:

LL: Floating bearing

#### Technical data

Part No.	d1 tolerance <sup>78)</sup> [mm]	Fmax. dynamic <sup>82)</sup> p = 5MPa	Fmax. static <sup>82)</sup> p = 35MPa	Weight [g]
		[N]	[N]	
FJZM-01-08	+0.032 +0.070	960	6,720	20
FJUM-01-10	+0.030 +0.088	725	5,075	32
FJUM-01-10-LL	+0.030 +0.088	725	5,075	32
FJUM-01-12	+0.030 +0.088	960	6,720	42
FJUM-01-12-LL	+0.030 +0.088	960	6,720	42
FJUM-01-16	+0.030 +0.088	1,440	10,080	51
FJUM-01-16-LL	+0.030 +0.088	1,440	10,080	51
FJUM-01-20	+0.030 +0.091	2,250	15,750	88
FJUM-01-20-LL	+0.030 +0.091	2,250	15,750	88
FJUM-01-25	+0.030 +0.091	3,625	25,375	152
FJUM-01-25-LL	+0.030 +0.091	3,625	25,375	152
FJUM-01-30	+0.040 +0.110	5,100	35,700	266
FJUM-01-30-LL	+0.040 +0.110	5,100	35,700	266
FJUM-01-40	+0.040 +0.115	8,000	56,000	552
FJUM-01-50	+0.050 +0.150	12,500	87,500	853



<sup>78)</sup> According to igus® testing method ► Page 1146

<sup>82)</sup> Design tips ► Page 1078

Please note: Installation instructions ► Page 1079

#### Dimensions [mm]

d1 ±0.01	d2 h7	d3	dt ±0.15	k ±0.15	B	Bf	ts	db	ds	Part No.
8.0	16	32	24	25	25	8	3.1	3.5	6.0	FJZM-02-08 <sup>82)</sup>
10.0	19	39	29	30	29	9	4.1	4.5	7.5	FJUM-02-10
10.4	19	39	29	30	29	9	4.1	4.5	7.5	FJUM-02-10-LL
12.0	22	42	32	32	32	9	4.1	4.5	7.5	FJUM-02-12
12.4	22	42	32	32	32	9	4.1	4.5	7.5	FJUM-02-12-LL
16.0	26	46	36	35	36	9	4.1	4.5	7.5	FJUM-02-16
16.4	26	46	36	35	36	9	4.1	4.5	7.5	FJUM-02-16-LL
20.0	32	54	43	42	45	11	5.1	5.5	9.0	FJUM-02-20
20.5	32	54	43	42	45	11	5.1	5.5	9.0	FJUM-02-20-LL
25.0	40	62	51	50	58	11	5.1	5.5	9.0	FJUM-02-25
25.5	40	62	51	50	58	11	5.1	5.5	9.0	FJUM-02-25-LL
30.0	47	76	62	60	68	14	6.1	6.6	11.0	FJUM-02-30
30.6	47	76	62	60	68	14	6.1	6.6	11.0	FJUM-02-30-LL
40.0	62	98	80	75	80	18	8.1	9.0	14.0	FJUM-02-40
50.0	75	112	94	88	100	18	8.1	9.0	14.0	FJUM-02-50

Available with drylin® liners (optional: J200/A180):



J



E7



X



Order key

Type	Size
<b>F J U M-02-10-LL</b>	
With flange	
iglidur® J	
Liner	
Metric	
Square design	
Inner Ø d1	

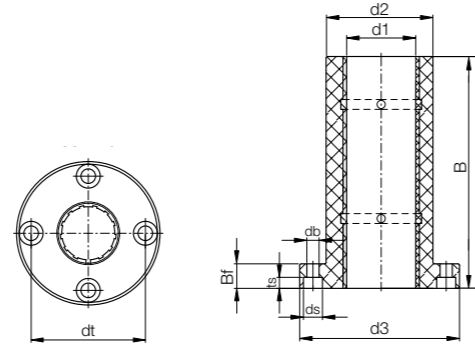
Option:  
LL: Floating bearing

#### Technical data

Part No.	d1 tolerance <sup>78)</sup>	Fmax. static or dynamic <sup>82)</sup>	Fmax. static <sup>82)</sup> with	Weight
	[mm]		load at 180°	
		[N]	[N]	[g]
FJZM-02-08 <sup>82)</sup>	+0.032 +0.070	960	6,720	17
FJUM-02-10	+0.030 +0.088	725	5,075	25
FJUM-02-10-LL	+0.030 +0.088	725	5,075	25
FJUM-02-12	+0.030 +0.088	960	6,720	32
FJUM-02-12-LL	+0.030 +0.088	960	6,720	32
FJUM-02-16	+0.030 +0.088	1,440	10,080	41
FJUM-02-16-LL	+0.030 +0.088	1,440	10,080	41
FJUM-02-20	+0.030 +0.091	2,250	15,750	73
FJUM-02-20-LL	+0.030 +0.091	2,250	15,750	73
FJUM-02-25	+0.030 +0.091	3,625	25,375	135
FJUM-02-25-LL	+0.030 +0.091	3,625	25,375	135
FJUM-02-30	+0.040 +0.110	5,100	35,700	228
FJUM-02-30-LL	+0.040 +0.110	5,100	35,700	228
FJUM-02-40	+0.040 +0.115	8,000	56,000	454
FJUM-02-50	+0.050 +0.150	12,500	87,500	735

# drylin® R flanged linear plain bearings | Product range

Closed, anodised aluminium adapter, round flange, tandem design



● Equipped with two liners to increase the guide length

**i** <sup>78)</sup> According to igus® testing method ► Page 1146  
<sup>85)</sup> Fitted with two pieces of JSM-0810-16  
 Please note: Installation instructions ► Page 1079

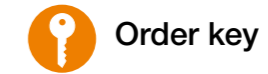
### Dimensions [mm]

d1	d2 h7	d3	dt	B	Bf	ts	db	ds	Part No.
8.0	16	32	24	45	8	3.1	3.5	6.0	FJZMT-01-08 <sup>85)</sup>
10.0	19	39	29	52	9	4.1	4.5	7.5	FJUMT-01-10
10.4	19	39	29	52	9	4.1	4.5	7.5	FJUMT-01-10-LL
12.0	22	42	32	57	9	4.1	4.5	7.5	FJUMT-01-12
12.4	22	42	32	57	9	4.1	4.5	7.5	FJUMT-01-12-LL
16.0	26	46	36	70	9	4.1	4.5	7.5	FJUMT-01-16
16.4	26	46	36	70	9	4.1	4.5	7.5	FJUMT-01-16-LL
20.0	32	54	43	80	11	5.1	5.5	9.0	FJUMT-01-20
20.5	32	54	43	80	11	5.1	5.5	9.0	FJUMT-01-20-LL
25.0	40	62	51	112	11	5.1	5.5	9.0	FJUMT-01-25
25.5	40	62	51	112	11	5.1	5.5	9.0	FJUMT-01-25-LL
30.0	47	76	62	123	14	6.1	6.6	11.0	FJUMT-01-30
30.6	47	76	62	123	14	6.1	6.6	11.0	FJUMT-01-30-LL
40.0	62	98	80	151	18	8.1	9.0	14.0	FJUMT-01-40
50.0	75	112	94	192	18	8.1	9.0	14.0	FJUMT-01-50

Available with drylin® liners (optional: J200/A180):



# drylin® R flanged linear plain bearings | Product range



Type Size

## F J U M T-01-10-LL

With flange	iglidur® J	Liner	Metric	Tandem	Round design	Inner Ø d1
-------------	------------	-------	--------	--------	--------------	------------

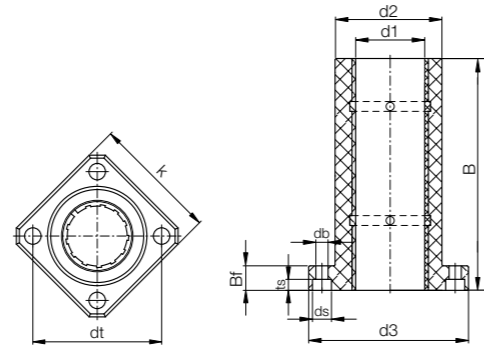
Option:  
LL: Floating bearing

### Technical data

Part No.	Dimension nominal diameter [mm]	d1 tolerance <sup>78)</sup> [mm]	Guide length [mm]	Projected bearing surface [N]	Weight [g]
FJZMT-01-08 <sup>85)</sup>	8	+0.032 +0.070	45	256	27.13
FJUMT-01-10	10	+0.030 +0.088	52	250	43.75
FJUMT-01-10-LL	10	+0.030 +0.088	52	250	43.75
FJUMT-01-12	12	+0.030 +0.088	57	324	57.00
FJUMT-01-12-LL	12	+0.030 +0.088	57	324	57.00
FJUMT-01-16	16	+0.030 +0.088	70	464	78.28
FJUMT-01-16-LL	16	+0.030 +0.088	70	464	78.28
FJUMT-01-20	20	+0.030 +0.091	80	580	126.42
FJUMT-01-20-LL	20	+0.030 +0.091	80	580	126.42
FJUMT-01-25	25	+0.030 +0.091	112	975	248.85
FJUMT-01-25-LL	25	+0.030 +0.091	112	975	248.85
FJUMT-01-30	30	+0.040 +0.110	123	1,470	388.37
FJUMT-01-30-LL	30	+0.040 +0.110	123	1,470	388.37
FJUMT-01-40	40	+0.040 +0.115	151	2,360	835.00
FJUMT-01-50	50	+0.050 +0.150	192	3,450	1,352.30

# drylin® R flanged linear plain bearings | Product range

Closed, anodised aluminium adapter, square flange, tandem design



● Equipped with two liners to increase the guide length

**i** <sup>78)</sup> According to igus® testing method ► Page 1146  
<sup>85)</sup> Fitted with two pieces of JSM-0810-16  
 Please note: Installation instructions ► Page 1079

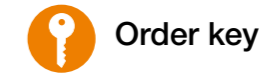
### Dimensions [mm]

d1	d2 h7	d3	dt	k	B	Bf	ts	db	ds	Part No.
8.0	16	32	24	25	45	8	3.1	3.5	6.0	FJZMT-02-08 <sup>85)</sup>
10.0	19	39	29	30	52	9	4.1	4.5	7.5	FJUMT-02-10
10.4	19	39	29	30	52	9	4.1	4.5	7.5	FJUMT-02-10-LL
12.0	22	42	32	32	57	9	4.1	4.5	7.5	FJUMT-02-12
12.4	22	42	32	32	57	9	4.1	4.5	7.5	FJUMT-02-12-LL
16.0	26	46	36	35	70	9	4.1	4.5	7.5	FJUMT-02-16
16.4	26	46	36	35	70	9	4.1	4.5	7.5	FJUMT-02-16-LL
20.0	32	54	43	42	80	11	5.1	5.5	9.0	FJUMT-02-20
20.5	32	54	43	42	80	11	5.1	5.5	9.0	FJUMT-02-20-LL
25.0	40	62	51	50	112	11	5.1	5.5	9.0	FJUMT-02-25
25.5	40	62	51	50	112	11	5.1	5.5	9.0	FJUMT-02-25-LL
30.0	47	76	62	60	123	14	6.1	6.6	11.0	FJUMT-02-30
30.6	47	76	62	60	123	14	6.1	6.6	11.0	FJUMT-02-30-LL
40.0	62	98	80	75	151	18	8.1	9.0	14.0	FJUMT-02-40
50.0	75	112	94	88	192	18	8.1	9.0	14.0	FJUMT-02-50

Available with drylin® liners (optional: J200/A180):



# drylin® R flanged linear plain bearings | Product range



Type Size

## F J U M T-02-10-LL

- With flange
- iglidur® J
- Liner
- Metric
- Tandem
- Square design
- Inner Ø d1

Option:  
LL: Floating bearing

### Technical data

Part No.	Dimension	d1 tolerance <sup>78)</sup>	Guide length	Projected bearing surface	Weight
	nominal diameter	[mm]		[N]	
	[mm]	[mm]	[mm]	[N]	[g]
FJZMT-02-08 <sup>85)</sup>	8	+0.032 +0.070	45	256	23.00
FJUMT-02-10	10	+0.030 +0.088	52	250	36.58
FJUMT-02-10-LL	10	+0.030 +0.088	52	250	36.58
FJUMT-02-12	12	+0.030 +0.088	57	324	48.19
FJUMT-02-12-LL	12	+0.030 +0.088	57	324	48.19
FJUMT-02-16	16	+0.030 +0.088	70	464	67.79
FJUMT-02-16-LL	16	+0.030 +0.088	70	464	67.79
FJUMT-02-20	20	+0.030 +0.091	80	580	110.06
FJUMT-02-20-LL	20	+0.030 +0.091	80	580	110.06
FJUMT-02-25	25	+0.030 +0.091	112	975	230.06
FJUMT-02-25-LL	25	+0.030 +0.091	112	975	230.06
FJUMT-02-30	30	+0.040 +0.110	123	1,470	350.74
FJUMT-02-30-LL	30	+0.040 +0.110	123	1,470	350.74
FJUMT-02-40	40	+0.040 +0.115	151	2,360	739.30
FJUMT-02-50	50	+0.050 +0.150	192	3,450	1,249.30