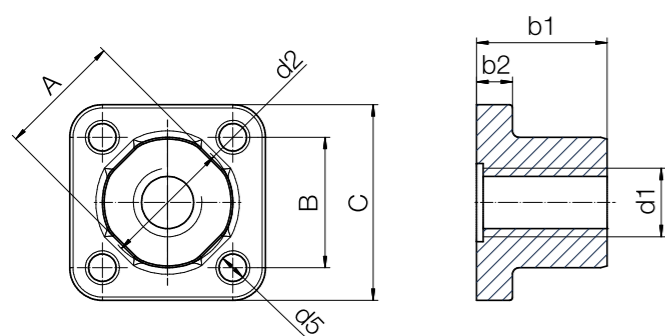


Images exemplary



Technical data

Thread	Hand of rotation		Effective supporting surface [mm²]	Max. stat. axial F [N]
	right	left		
Ds5x5	●	–	53	152
Ds6.35x2.54	●	●	199	125
Ds6.35x5.08	●	–	156	125
Ds6.35x12.7	●	–	78	125
Ds6.35x25.4	●	–	86	125
Ds8x10	●	●	203	507
Ds8x15	●	●	254	634
Ds8x24	●	–	173	432.5
Ds10x3	●	–	410	1,025
Ds10x12	●	●	338	846
Ds10x25	●	●	312	779
Ds10x50	●	●	181	451
Ds12x5	●	–	570	1,425
Ds12.7x12.7	●	–	427	1,067.5
Ds12x15	●	–	659	1,031
Ds12x25	●	–	548	1,425
Ds14x25	●	●	571	1,427
Ds14x30	●	–	571	1,427
Ds16x35	●	–	668	1,669
Ds18x24	●	●	802	2,004
Ds18x40	●	●	764	1,911

Order key

Type d2 b1 Thread

DST - J F □ M - C - 01 - DS 10X12

dryspin® technology	iglidur® material	Form F	Hand of rotation	Metric	Thread: cut	Type	Thread type	Diameter [mm]	Pitch
---------------------	-------------------	--------	------------------	--------	-------------	------	-------------	---------------	-------

Options:
Hand of rotation
R: Right-hand thread
L: Left-hand thread

J High efficiency at all speeds
E7 For high speeds

Dimensions [mm]

d1 ¹⁵⁶⁾	d2 ¹⁵⁶⁾	A	B	C	d5	b1 ¹⁵⁶⁾	b2	Weight [g]	Part No.
5.0	14	11	12	18	3.2	12	4	2.71	DST-JFRM-C-01-DS5X5 New
6.35	12	11	12	18	3.2	12	4	2.71	DST-JF□M-C-01-DS6.35X2.54
6.35	12	11	12	18	3.2	12	4	2.71	DST-JFRM-C-01-DS6.35X5.08
6.35	12	11	12	18	3.2	12	4	2.71	DST-JFRM-C-01-DS6.35X12.7
6.35	12	11	12	18	3.2	12	4	2.71	DST-JFRM-C-01-DS6.35X25.4
8	20	19	20	30	4.2	20	5.5	12.66	DST-JF□M-C-01-DS8X10
8	20	19	20	30	4.2	20	5.5	12.66	DST-JF□M-C-01-DS8X15
8	20	19	20	30	4.2	20	5.5	12.60	DST-JFRM-C-01-DS8X24 New
10	20	19	20	30	4.2	20	5.5	11.82	DST-JFRM-C-01-DS10X3 New
10	20	19	20	30	4.2	20	5.5	11.82	DST-JF□M-C-01-DS10X12
10	20	19	20	30	4.2	20	5.5	11.82	DST-JF□M-C-01-DS10X25
10	20	19	20	30	4.2	20	5.5	11.82	DST-JF□M-C-01-DS10X50
12	24	22.6	24	34	5	25	6	18.93	DST-JFRM-C-01-DS12X5
12	24	22.6	24	34	5	25	6	18.93	DST-JFRM-C-01-DS12.7X12.7 New
12	24	22.6	24	34	5	25	6	19.00	DST-JFRM-C-01-DS12X15 New
12	24	22.6	24	34	5	25	6	18.93	DST-JFRM-C-01-DS12X25
14	24	22.6	24	34	5	25	6	17.41	DST-JF□M-C-01-DS14X25
14	24	22.6	24	34	5	25	6	17.41	DST-JFRM-C-01-DS14X30
16	28	25.5	27	38	6	25	6.5	22.85	DST-JFRM-C-01-DS16X35
18	28	25.5	27	38	6	25	6.5	21.48	DST-JF□M-C-01-DS18X24
18	28	25.5	27	38	6	25	6.5	21.48	DST-JF□M-C-01-DS18X40

¹⁵⁶⁾ Tolerances according to DIN ISO 2768-1, tolerance class m (medium)

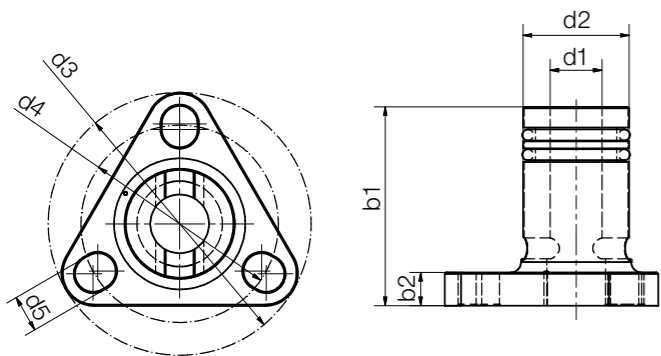
Technical data

Thread	Hand of rotation		Effective supporting surface [mm ²]	Max. stat. axial F [N]
	right	left		
Ds6.35x2.54	●	●	199	80
Ds6.35x5.08	●	–	156	63
Ds6.35x12.7	●	–	78	31
Ds6.35x25.4	●	–	86	35
Ds8x10	●	●	203	102
Ds8x15	●	●	254	102
Ds10x12	●	●	338	136
Ds10x25	●	●	312	125
Ds10x50	●	●	181	72

Dimensions [mm]

d1 ¹⁵⁶⁾	d2 ¹⁵⁶⁾	A	B	C	d5	b1 ¹⁵⁶⁾	b2	Weight [g]	Part No.
6.35	12	11	12	18	3.2	12	4	1.9	DST-E7F□M-C-01-DS6.35X2.54
6.35	12	11	12	18	3.2	12	4	1.9	DST-E7FRM-C-01-DS6.35X5.08
6.35	12	11	12	18	3.2	12	4	1.9	DST-E7FRM-C-01-DS6.35X12.7
6.35	12	11	12	18	3.2	12	4	1.9	DST-E7FRM-C-01-DS6.35X25.4
8	20	19	20	30	4.2	20	5.5	9.0	DST-E7F□M-C-01-DS8X10
8	20	19	20	30	4.2	20	5.5	9.0	DST-E7F□M-C-01-DS8X15
10	20	19	20	30	4.2	20	5.5	9.0	DST-E7F□M-C-01-DS10X12
10	20	19	20	30	4.2	20	5.5	9.0	DST-E7F□M-C-01-DS10X25
10	20	19	20	30	4.2	20	5.5	9.0	DST-E7F□M-C-01-DS10X50

¹⁵⁶⁾ Tolerances according to DIN ISO 2768-1, tolerance class m (medium)



Technical data

Thread	Max. stat. axial F [N]	Max. idling torque (with O-ring) from [Nm]	Weight [g]
Ds6.35x2.54	40	0.005	3.8
Ds6.35x5.08	40	0.005	3.8
Ds6.35x12.7	40	0.005	3.8
Ds6.35x25.4	40	0.005	3.8
Ds8x10	75	0.01	12.1
Ds8x15	75	0.01	12.1
Ds10x12	75	0.01	12.1
Ds10x25	75	0.01	12.1
Ds10x50	75	0.01	12.1
Ds12x5	125	0.03	18.0
Ds12x25	125	0.03	18.0
Ds14x25	125	0.03	18.0
Ds14x30	125	0.03	18.0
Ds14x40.6	125	0.03	18.0

Order key

Part number	Type	Thread
DST- J F R M-LC-0001-DS 10X12		
dryspin® technology	iglidur® J	Type 0001
	Form F	Thread type
	Hand of rotation	Thread Ø [mm]
	Metric	Pitch
	Low Clearance	

Dimensions [mm]

d1 ¹⁵⁶⁾	d2 ¹⁵⁶⁾	d3	d4	d5	b1 ¹⁵⁶⁾	b2	Part No.
6.35	10	285	22.2	3.7	25.0	4.1	DST-JFRM-LC-0001-DS6.35X2.54
6.35	10	285	22.2	3.7	25.0	4.1	DST-JFRM-LC-0001-DS6.35X5.08
6.35	10	285	22.2	3.7	25.0	4.1	DST-JFRM-LC-0001-DS6.35X12.7
6.35	10	285	22.2	3.7	25.0	4.1	DST-JFRM-LC-0001-DS6.35X25.4
8	16	38.1	28.3	5.2	28.8	4.8	DST-JFRM-LC-0001-DS8X10
8	16	38.1	28.3	5.2	28.8	4.8	DST-JFRM-LC-0001-DS8X15
10	16	38.1	28.3	5.2	28.3	4.8	DST-JFRM-LC-0001-DS10X12
10	16	38.1	28.3	5.2	28.3	4.8	DST-JFRM-LC-0001-DS10X25
10	16	38.1	28.3	5.2	28.3	4.8	DST-JFRM-LC-0001-DS10X50
12	20	41.1	31.8	5.2	44.0	7.0	DST-JFRM-LC-0001-DS12X5
12	20	41.1	31.8	5.2	44.0	7.0	DST-JFRM-LC-0001-DS12X25
14	20	41.1	31.8	5.2	44.0	7.0	DST-JFRM-LC-0001-DS14X25
14	20	41.1	31.8	5.2	44.0	7.0	DST-JFRM-LC-0001-DS14X30
14	20	41.1	31.8	5.2	44.0	7.0	DST-JFRM-LC-0001-DS14X40.6

¹⁵⁶⁾ Tolerances according to DIN ISO 2768-1, tolerance class m (medium)