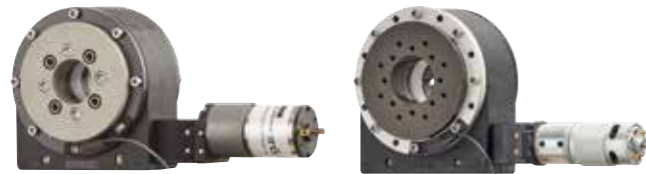


 Order key

Type	Options
RL-D-20-A0202	
robolink®	
Direct drive	
Installation size	
Variation	



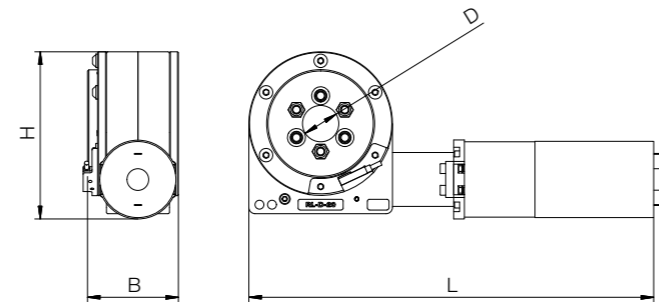
RL-D-20-A0202



RL-D-30-A0203

RL-D-50-A0204

- Assembly of robot joint, motor kit, INI kit
- Also available with cables ► **Page 1530** and motor control system ► **Page 1544**




Technical data

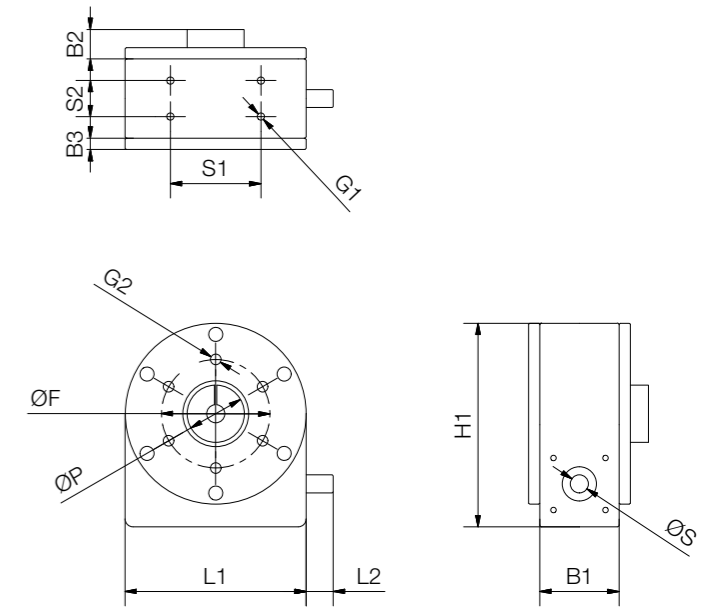
	Weight	Max. output torque	Max. speed	Service life
	[kg]	[Nm]	[rpm]	
Installation size 20				
RL-D-20-A0202	1.06	7	12	Min. 1,000,000 cycles ¹⁶⁹⁾
Installation size 30				
RL-D-30-A0203	1.50	20	9	Min. 1,000,000 cycles ¹⁶⁹⁾
Installation size 50				
RL-D-50-A0204	4.8	50	6	Min. 1,000,000 cycles ¹⁶⁹⁾

¹⁶⁹⁾ At a rated torque of 2.5Nm and a rated speed of 30rpm

Dimensions [mm]

Part No.	D	B	L	H
Installation size 20				
RL-D-20-A0202	20	50.5	233.7	90.0
Installation size 30				
RL-D-30-A0203	30	63.5	253.7	110.0
Installation size 50				
RL-D-50-A0204	50	87.5	303.77	170.5


 Delivery time
2–3 days





- Cost-effective alternative without slewing ring bearing
- Lightweight
- Replaceable coupling components for different shaft diameters

Dimensions [mm]

ØS	ØP	ØF	ØT	L1	L2	B1	B2	B3	H1	G1	S1	S2	Part No.
8	25	48	20	80.5	12	35	13	5	90.5	M4	40	16	RL-D-20-103-...
10	32	64	30	100.5	12	45	16.3	6	110.5	M4	55	20	RL-D-30-103-...
15	42	100	50	150.5	13	60	22.8	6	170.5	M6	80	30	RL-D-50-103-...

 **Order example: RL-D-20-103-38-010K5-08**
robolink® robot joint installation size 20, gear ratio 1:38, gearbox, motor pin 8mm

 **More information and prices online**
► www.igus-asean.com/rotary-axes-shop

 Delivery time
2–3 days