



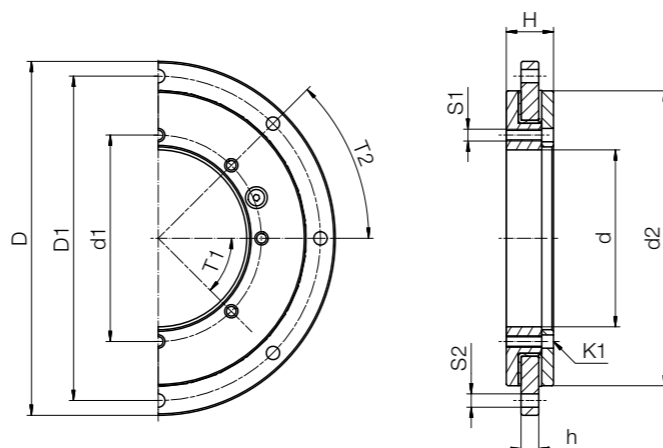
Order key

Type Size [mm]

PRT-04-50

Slewing ring
Design
Inner Ø

- Available with diameters from 50mm to 300mm
- 60% lighter and 50% more compact compared to PRT-01
- 20% more cost-effective compared to PRT-01
- Wear-resistant, lubrication-free and maintenance-free iglidur® sliding elements



Dimension [mm]

D	D1	d1	d	d2	H	h	T1	T2	S1	S2	K1	Part No.
												for screw
110	100	60	50	90	16	6	8 × 45°	8 × 45°	M4	Ø 4.5	Ø 4.5	PRT-04-50
120	110	70	60	100	16	6	8 × 45°	8 × 45°	M4	Ø 4.5	Ø 4.5	PRT-04-60
160	150	110	100	140	16	6	8 × 45°	8 × 45°	M4	Ø 4.5	Ø 4.5	PRT-04-100
210	200	160	150	190	16	6	16 × 22.5°	16 × 22.5°	M4	Ø 4.5	Ø 4.5	PRT-04-150
260	250	210	200	240	16	6	16 × 22.5°	16 × 22.5°	M4	Ø 4.5	Ø 4.5	PRT-04-200
360	350	310	300	340	16	6	16 × 22.5°	16 × 22.5°	M4	Ø 4.5	Ø 4.5	PRT-04-300



With outer spacing ring

With large outer support ring

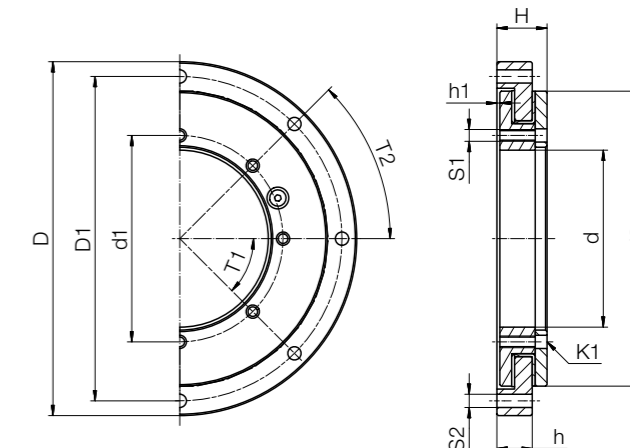
Order key

Type Size [mm] Options

PRT-04- 50 -M4

Slewing ring
Design
Inner Ø
Thread

- Available for PRT-01 and PRT-04
- Maintenance-free and wear-resistant
- Easy to fit
- Replaceable sliding elements



Dimension [mm]

D	D1	d1	d	d2	H	h1	h	T1	T2	S1	S2	K1	Part No.
													for screw
With M4 thread in outer ring													
110	100	60	50	90	16	-	6	8 × 45°	8 × 45°	M4	M4	Ø 4.5	PRT-04-50-M4
120	110	70	60	100	16	-	6	8 × 45°	8 × 45°	M4	M4	Ø 4.5	PRT-04-60-M4
160	150	110	100	140	16	-	6	8 × 45°	8 × 45°	M4	M4	Ø 4.5	PRT-04-100-M4
210	200	160	150	190	16	-	6	16 × 22.5°	16 × 22.5°	M4	M4	Ø 4.5	PRT-04-150-M4
260	250	210	200	240	16	-	6	16 × 22.5°	16 × 22.5°	M4	M4	Ø 4.5	PRT-04-200-M4
360	350	310	300	340	16	-	6	16 × 22.5°	16 × 22.5°	M4	M4	Ø 4.5	PRT-04-300-M4
With enlarged outer ring													
150	135	60	50	90	16	-	6	8 × 45°	16 × 22.5°	M4	Ø 6.6	Ø 4.5	PRT-04-50-G
160	160	70	60	100	16	-	6	8 × 45°	20 × 18°	M4	Ø 5.5	Ø 4.5	PRT-04-60-G
185	185	110	100	140	16	-	6	8 × 45°	16 × 22.5°	M4	Ø 4.5	Ø 4.5	PRT-04-100-G
250	250	160	150	190	16	-	6	16 × 22.5°	16 × 22.5°	M4	Ø 4.5	Ø 4.5	PRT-04-150-G
300	300	210	200	240	16	-	6	16 × 22.5°	16 × 22.5°	M4	Ø 5.5	Ø 4.5	PRT-04-200-G
450	450	310	300	340	16	-	6	16 × 22.5°	16 × 22.5°	M4	Ø 9.0	Ø 4.5	PRT-04-300-G
With outer spacing ring													
110	100	60	50	90	17	1	12	8 × 45°	8 × 45°	M4	Ø 4.5	Ø 4.5	PRT-04-50-DRI
120	110	70	60	100	17	1	12	8 × 45°	8 × 45°	M4	Ø 4.5	Ø 4.5	PRT-04-60-DRI
160	150	110	100	140	17	1	12	8 × 45°	8 × 45°	M4	Ø 4.5	Ø 4.5	PRT-04-100-DRI
210	200	160	150	190	17	1	12	16 × 22.5°	16 × 22.5°	M4	Ø 4.5	Ø 4.5	PRT-04-150-DRI
260	250	210	200	240	17	1	12	16 × 22.5°	16 × 22.5°	M4	Ø 4.5	Ø 4.5	PRT-04-200-DRI
360	350	310	300	340	17	1	12	16 × 22.5°	16 × 22.5°	M4	Ø 4.5	Ø 4.5	PRT-04-300-DRI