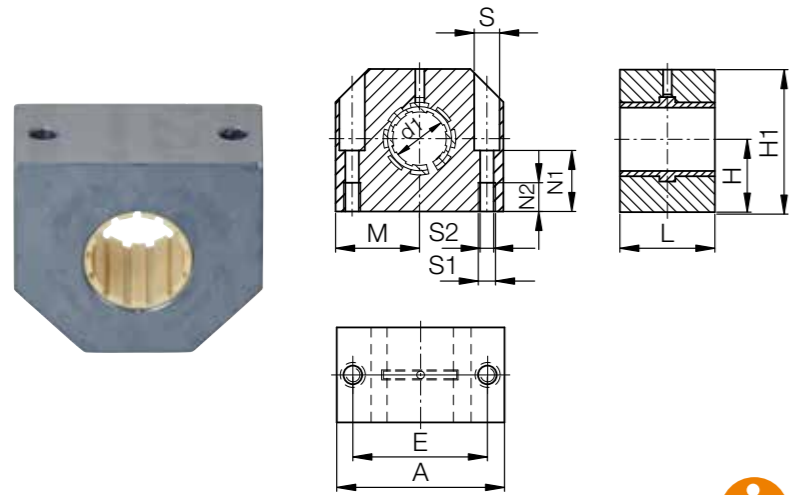


# drylin® R pillow blocks | Product range

Closed, anodised aluminium housing, short design



## Order key

Type	Size
<b>R J U M-05-10</b>	
Closed	
igidur® J	
Liner	
Metric	
Compact	
Inner Ø d1	

- i** <sup>78)</sup> According to igus® testing method ► Page 1146
- <sup>81)</sup> Ø < 10mm use press-fitted sleeve bearings
- <sup>82)</sup> Design tips ► Page 1078
- Please note: Installation instructions ► Page 1079

### Dimensions [mm]

d1	H	H1	A	M	E	S	S1	S2	N1	N2	L	Part No.
+0.01 -0.014					±0.15							
8	14	27	32	16.0	23	6.0	M4	3.4	13	9	24	<b>RJZM-05-08<sup>81)</sup></b>
10	16	33	40	20.0	29	8.0	M5	4.3	16	11	26	<b>RJUM-05-10</b>
12	17	33	40	20.0	29	8.0	M5	4.3	16	11	28	<b>RJUM-05-12</b>
16	19	38	45	22.5	34	8.0	M5	4.3	18	11	30	<b>RJUM-05-16</b>
20	23	45	53	26.5	40	9.5	M6	5.3	22	13	30	<b>RJUM-05-20</b>
25	27	54	62	31.0	48	11.0	M8	6.6	26	18	40	<b>RJUM-05-25</b>
30	30	60	67	33.5	53	11.0	M8	6.6	29	18	50	<b>RJUM-05-30</b>
40	39	76	87	43.5	69	15.0	M10	8.4	38	22	60	<b>RJUM-05-40</b>
50	47	92	103	51.5	82	18.0	M12	10.5	46	26	70	<b>RJUM-05-50</b>

### Technical data

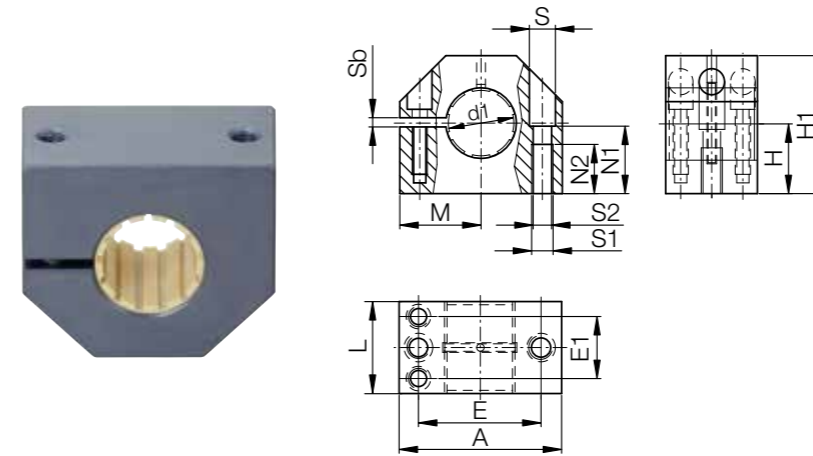
Part No.	d1 tolerance <sup>78)</sup>		Fmax. dynamic <sup>82)</sup>		Fmax. static <sup>82)</sup>		Weight
	[mm]		p = 5MPa		p = 35MPa		
	[mm]	[mm]	[N]	[N]	[N]	[N]	
<b>RJZM-05-08<sup>81)</sup></b>	+0.032	+0.070	960	6,720	46		
<b>RJUM-05-10</b>	+0.030	+0.088	650	4,550	71		
<b>RJUM-05-12</b>	+0.030	+0.088	840	5,880	78		
<b>RJUM-05-16</b>	+0.030	+0.088	1,200	8,400	106		
<b>RJUM-05-20</b>	+0.030	+0.091	1,500	10,500	132		
<b>RJUM-05-25</b>	+0.030	+0.091	2,500	17,500	253		
<b>RJUM-05-30</b>	+0.040	+0.110	3,750	26,250	374		
<b>RJUM-05-40</b>	+0.040	+0.115	6,000	42,000	713		
<b>RJUM-05-50</b>	+0.050	+0.150	8,750	61,250	1,168		

Available with drylin® liners (optional: J200/A180):



# drylin® R pillow blocks | Product range

Adjustable anodised aluminium housing, short design



## Order key

Type	Size
<b>R J U M E-05-12</b>	
Closed	
igidur® J	
Liner	
Metric	
Adjustable	
Compact	
Inner Ø d1	

- With adjustable clearance

- i** <sup>78)</sup> According to igus® testing method ► Page 1146
- <sup>82)</sup> Design tips ► Page 1078
- Please note: Installation instructions ► Page 1079

### Dimensions [mm]

d1	H	H1	A	M	E	E1	S	S1	S2	Sb	N1	N2	L	Part No.
+0.01 -0.014					±0.15	±0.15								
12	17	33	40	20.0	29	18.0	8.0	4.3	M5	2	16	11	28	<b>RJUME-05-12</b>
16	19	38	45	22.5	34	19.0	8.0	4.3	M5	2	18	11	30	<b>RJUME-05-16</b>
20	23	45	53	26.5	40	20.0	9.5	5.3	M6	2	22	13	30	<b>RJUME-05-20</b>
25	27	54	62	31.0	48	25.5	11.0	6.6	M8	2	26	18	40	<b>RJUME-05-25</b>
30	30	60	67	33.5	53	30.5	11.0	6.6	M8	2	29	18	50	<b>RJUME-05-30</b>
40	39	76	87	43.5	69	36.0	15.0	8.4	M10	2	38	22	60	<b>RJUME-05-40</b>
50	47	92	103	51.5	82	44.0	18.0	10.5	M12	2	46	26	70	<b>RJUME-05-50</b>

### Technical data

Part No.	d1 tolerance <sup>78)</sup>		Fmax. dynamic <sup>82)</sup>		Fmax. static <sup>82)</sup>		Weight
	[mm]		p = 5MPa		p = 35MPa		
	[mm]	[mm]	[N]	[N]	[N]	[N]	
<b>RJUME-05-12</b>	Adjustable		840	5,880	78		
<b>RJUME-05-16</b>	Adjustable		1,200	8,400	106		
<b>RJUME-05-20</b>	Adjustable		1,500	10,500	132		
<b>RJUME-05-25</b>	Adjustable		2,500	17,500	253		
<b>RJUME-05-30</b>	Adjustable		3,750	26,250	374		
<b>RJUME-05-40</b>	Adjustable		6,000	42,000	713		
<b>RJUME-05-50</b>	Adjustable		8,750	61,250	1,168		

Available with drylin® liners (optional: J200/A180):

