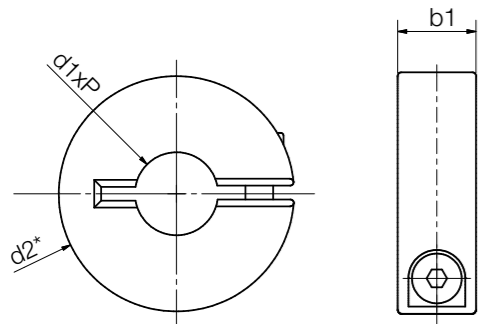




Part number Thread

CR R-01-TR 10X2

Clamping rings	Hand of rotation	Type	Trapezoidal thread	Diameter	Pitch
----------------	------------------	------	--------------------	----------	-------



Dimensions [mm]

Thread	d2 ⁵⁶⁾ h9	b1	Max. static axial F [N]	Part No. Right-hand thread
Tr8x1.5	16	9	1,530	CRR-01-TR8X1.5
Tr10x2	24	8	1,800	CRR-01-TR10X2
Tr12x3	28	8	2,096	CRR-01-TR12X3
Tr14x4	30	11	3,312	CRR-01-TR14X4
Tr16x4	34	11	3,840	CRR-01-TR16X4
Tr18x4	36	13	5,216	CRR-01-TR18X4
Tr20x4	45	15	6,784	CRR-01-TR20X4
Tr24x5	45	15	8,096	CRR-01-TR24X5

Thread	d2 ⁵⁶⁾ h9	b1	Max. static axial F [N]	Part No. Left-hand thread
Tr8x1.5	16	9	1,530	CRL-01-TR8X1.5
Tr10x2	24	8	1,800	CRL-01-TR10X2
Tr12x3	28	8	2,096	CRL-01-TR12X3
Tr14x4	30	11	3,312	CRL-01-TR14X4
Tr16x4	34	11	3,840	CRL-01-TR16X4
Tr18x4	36	13	5,216	CRL-01-TR18X4
Tr20x4	45	15	6,784	CRL-01-TR20X4
Tr24x5	45	15	8,096	CRL-01-TR24X5

⁵⁶⁾ Outside dimension clamping ring. Screw head may protrude. Installation dimension d2 (+2mm)

Dimensions [mm] – clamping ring without thread

ø	d2	b1	Part No.
10	24	8	KRM-S10-V
12	28	11	KRM-S12-V
14	30	11	KRM-S14-V
16	34	11	KRM-S16-V
18	36	13	KRM-S18-V
24	45	15	KRM-S24-V

