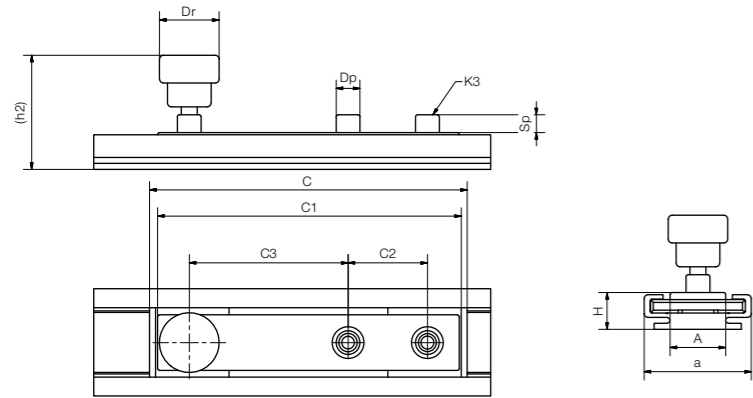


Accessories: Manual clamp



Order key

Type	Size	Version
NW - 12 - 27 - 80 - HKA		
drylin® N Guide carriage	Type of carriage	Rail width
		Carriage length
		Manual clamp



Dimensions [mm]

Part No.	H	(h2)	A	a	C	C1	C2	C3	K3	M	Sp	Dp	Dr	Weight [g]
NW-12-27-80-HKA	9.5	32	14	27	80	76	20	40	M4	1.2	5	6.5	15	32

M: Permissible torque of the complete system



Order example:

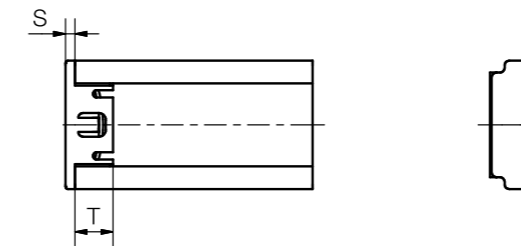
NW-12-27-80-HKA: Manual clamp for NW-12-27-80 carriage

Accessories: End caps



Order key

Type	Size
N S K B - 40	
drylin® N - end cap	Push-fit
	Rail width



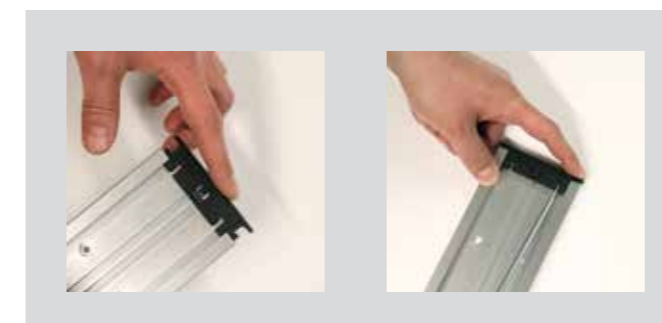
Dimensions [mm]

Part No.	S	T	For rail
NSKB-17	1.5	7	NS-01-17
NSKB-27	2.0	8	NS-01-27
NSK-40	1.5	8	NS-01-40
NSKB-80	2.0	17	NS-01-80



Order example:

NSK-40: End caps for guide rail size 40, bolted



Easily assembled and disassembled by hand using a screwdriver. Part No.: NSKB



End caps for rail size 40, screwed
Part No.: NSK-40