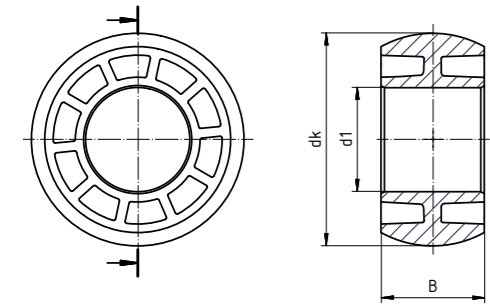


Cost-effective spherical balls
for various metallic bearing housings



- Cost-effective due to injection moulding method
- Eight dimensions for housing numbers range includes UC203 to UC210
- Maintenance-free, dry operation

Dimensions [mm]

Part No.	Housing No.	d1 E10	dk	B	Max. static compressive force	
					radial [N]	axial [N]
JEM-17-17-SP	UC203	17	47	17	7,500	4,000
□EM-20-14-SP New	P204	20	47	14	8,000	4,000
JEM-20-17-SP	UC204	20	47	17	8,000	4,000
□EM-25-15-SP New	P205	25	52	15	9,000	4,000
JEM-25-17-SP	UC205	25	52	17	9,000	3,500
□EM-30-16-SP New	P206	30	62	16	13,500	5,000
JEM-30-19-SP	UC206	30	62	19	13,500	5,000
JEM-35-20-SP	UC207	35	72	20	14,500	6,500
JEM-40-21-SP	UC208	40	80	21	21,000	6,000
JEM-45-22-SP	UC209	45	85	22	23,000	5,500
JEM-50-24-SP	UC210	50	90	24	25,000	5,500



Image exemplary

Order key

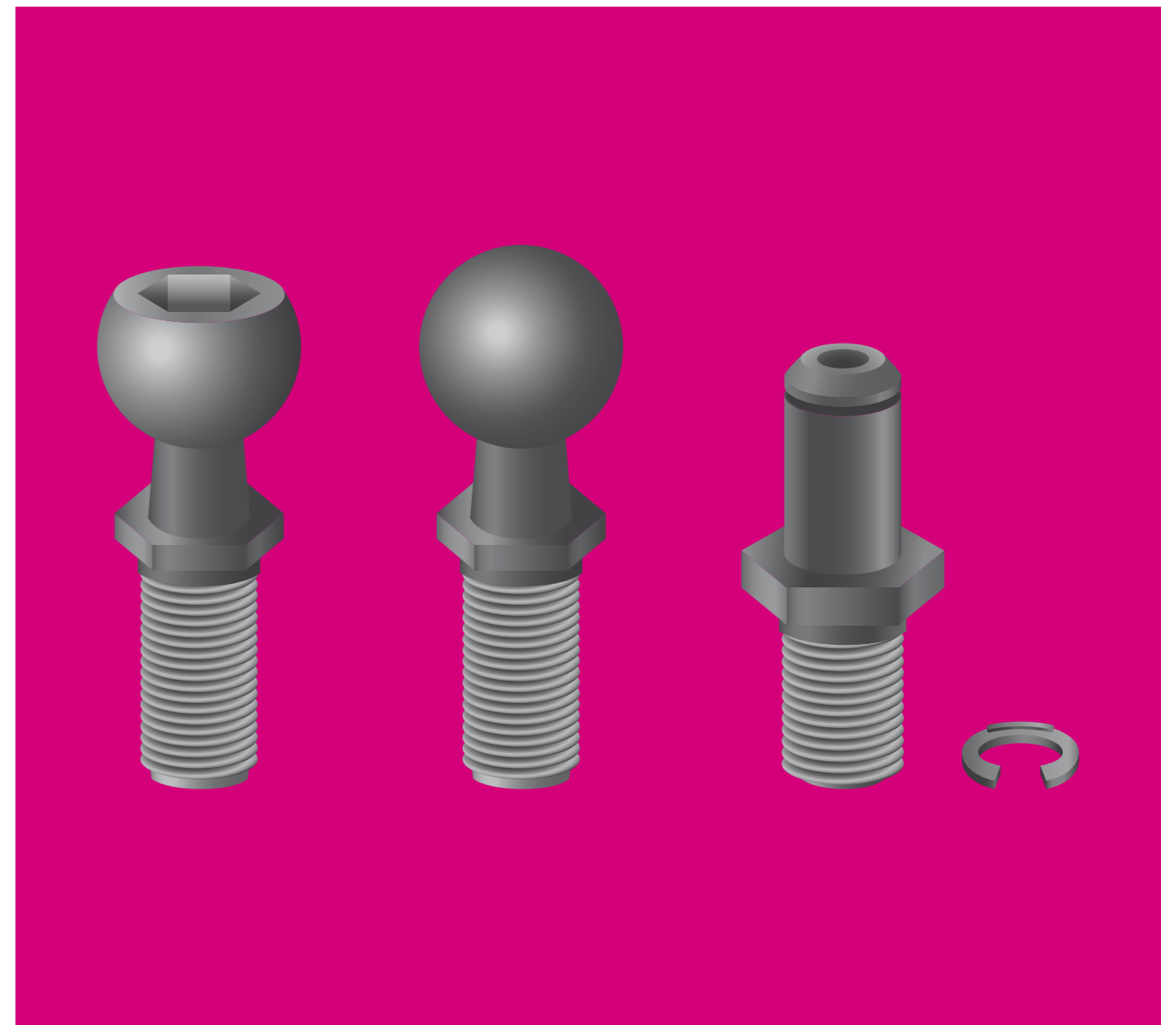
Type	Size [mm]	Version
------	-----------	---------

J EM-17-17 SP

iglidur® material	iglidur® J spherical balls	Inner Ø d1	Width	Injection moulding
-------------------	----------------------------	------------	-------	--------------------

- i** Material:
- iglidur® J, low coefficients of friction ▶ Page 159
 - iglidur® J4, Low-cost material ▶ Page 1652

- Durable
- Resistant to corrosion and chemicals
- Resistant to dirt
- Low moisture absorption



igubal® accessories

Ball studs made of plastic, galvanised steel
and stainless steel

Adapter screw made from plastic

Adapter for E series pillow block bearings



Fixing collars with threaded pin

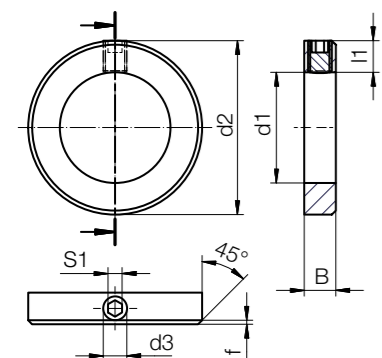


Order key

Type	Size [mm]	Version
SR M-S	20	- V
Fixing collar	Metric	without thread
	Shaft diameter	Pre-assembled (screw)

Material: Galvanised steel (stainless steel upon request)

- Easy to fit
- DIN 705 (lightweight series)
- Incl. DIN 914 threaded pin (Allen key)



Dimensions [mm]

Part No.	d1	d2	B	f	d3	l1	S1	Weight [g]
SRM-S20-V New	20	32	14	1.4	M6	6	SW3	53.0
SRM-S25-V New	25	40	16	1.6	M8	8	SW4	95.6
SRM-S30-V New	30	45	16	1.6	M8	8	SW4	111.0



Image exemplary

Ball studs with female thread



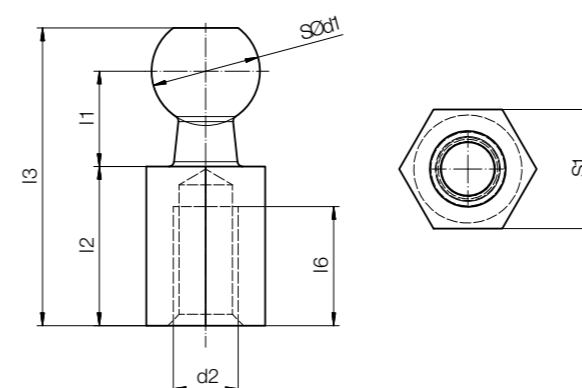
Order key

Type	Size [mm]	Version
GZ R M-	05	- IG - ES
Threaded pin	Thread direction	Metric
	Thread size M...	Female thread

- Options:
- Thread R = Right-hand thread L = Left-hand thread (upon request)
- Add-on:
- Blank = Galvanised steel ES = Stainless steel²⁸⁾

Material: Galvanised and stainless steel (AISI 303)

- Easy to fit
- DIN connection size
- Corrosion-free



Dimensions [mm]

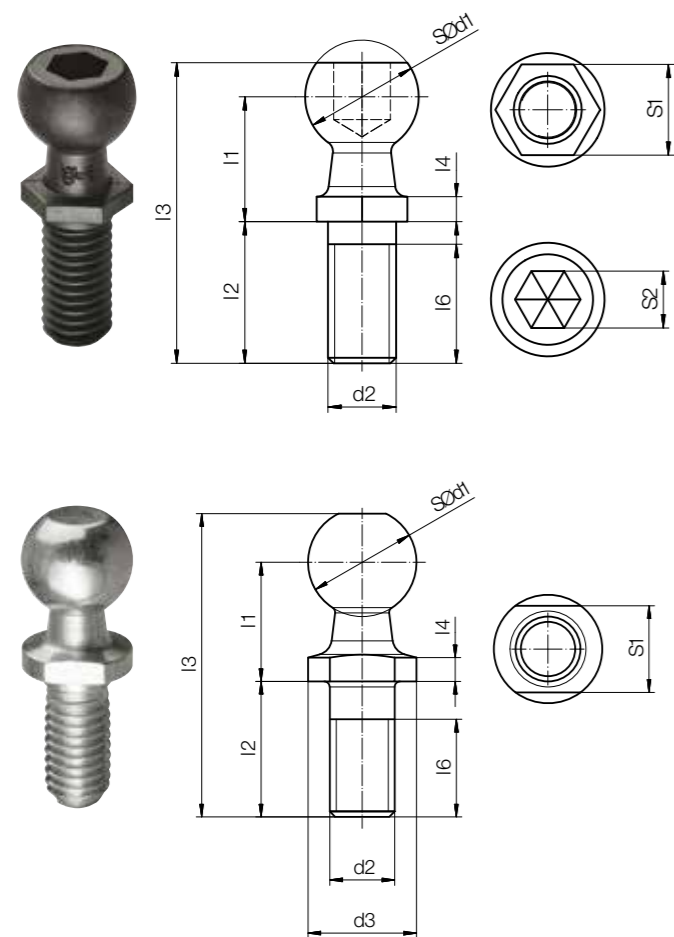
Part No.	d1	d2	l1	l2	l6	l3	S1	Weight [g]
	-0,05							
GZRM-05-IG	8	M5	7.0	12.2	9	22.7	SW10	10
GZRM-06-IG	10	M6	8.8	14.7	11	27.5	SW11	15
GZRM-08-IG	13	M8	10.8	18.7	12	35.2	SW14	30
GZRM-10-IG	16	M10	13.3	22.7	16	43.0	SW17	55

²⁸⁾ Stainless steel ball stud upon request

Can be combined with:



Ball studs with male thread



Order key

Type	Size [mm]
------	-----------

GZ R M-05-MS

Threaded pin	Thread direction	Metric	Thread size M...
--------------	------------------	--------	------------------

Options:

Thread

- R = Right-hand thread
- L = Left-hand thread (upon request)

Add-on:

- Blank = Plastic
- MS = Galvanised steel
- ES = Stainless steel (upon request)

Material:

- Plastic: igumid G ▶ Page 1654
- Galvanised and stainless steel (AISI 303)

- Easy to fit
- DIN connection size
- Corrosion-free

Dimensions [mm] – ball studs made from plastic

Part No.	d1 ±0.1	d2	l1	l2	l3	l4 ±0.2	l6	S1	S2	Weight [g]
GZRM-05	8	M5	9	10.2	21.7	2.0	8.2	SW7	4	1
GZRM-06	10	M6	11	12.5	26.5	2.2	10.5	SW8	5	1
GZRM-08	13	M8	13	16.5	33.5	2.4	13.5	SW11	6	3
GZRM-10	16	M10	16	20.0	40.5	2.7	16.0	SW13	8	6

Dimensions [mm] – ball studs made of galvanised and stainless steel

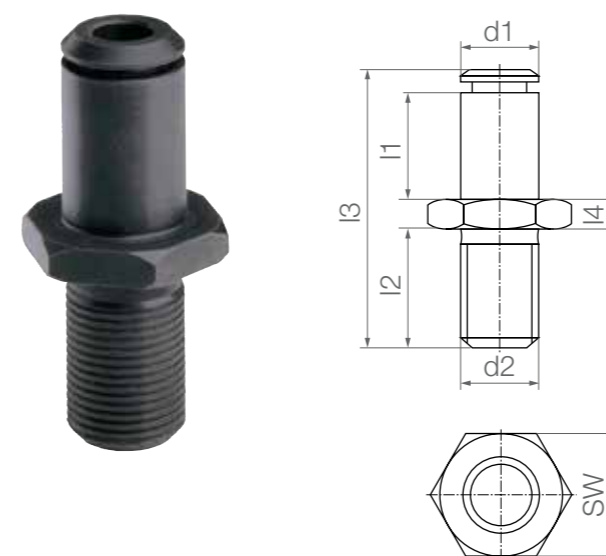
Part No.	d1 h9	d2	d3 h14	l1 ±0.3	l2 ±0.3	l3 ±0.3	l4 ±0.4	l6 Min.	S1 h14	Weight [g]
GZRM-05-MS ¹¹⁵⁾	8	M5	8	9	10.2	22.7	2.0	6.2	SW7	4.5
GZRM-06-MS ¹¹⁵⁾	10	M6	10	11	12.5	28.0	2.2	8.5	SW8	8.5
GZRM-08-MS ¹¹⁵⁾	13	M8	13	13	16.5	35.0	2.4	11.2	SW11	17.7
GZRM-10-MS ¹¹⁵⁾	16	M10	16	16	20.0	43.0	2.7	12.7	SW13	35.1

¹¹⁵⁾ For the stainless steel version please replace the suffix MS by ES

Can be combined with:



Adapter screws: PKRM and PKLM



Order key

Type	Size [mm]	Options
------	-----------	---------

P K □ M- 05

Adapter screw	K series	Thread direction	Metric	Thread size M...
---------------	----------	------------------	--------	------------------

Thread

- L = Left-hand thread²¹⁾
- R = Right-hand thread

Material:

- POM ▶ Page 1654

Solid plastic adapter screws with corresponding circlips are used as accessories for dimensional K series rod ends. In contrast to other "black" components of stock igubal® parts, the igubal® adapter screws consist of the material POM. This component effectively transforms a standard K series rod end into an angled ball and socket joint.

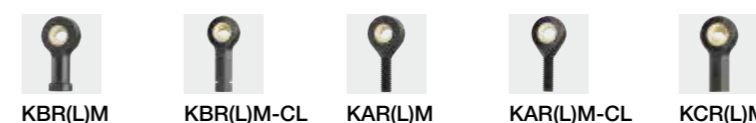
- Lightweight
- Absolute corrosion resistance
- Can be combined with K series rod end
- Vibration-dampening
- Easy to fit
- Left-hand thread upon request

Technical data and dimensions [mm]

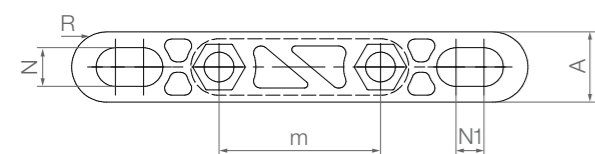
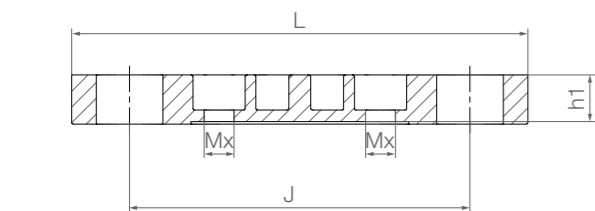
Part No.	Max. static tensile strain		Max. static radial load		d1	d2	l1	l2	l3	l4	SW	Weight
	Short-term [N]	Long-term [N]	Short-term [N]	Long-term [N]	h11	Thread	Length adjusting bolt	Thread length	Total length	Nut width	Width across flats	[g]
PK□M-05	100	50	200	100	5	M5	8.5	11.3	25.0	2.7	SW8	0.7
PK□M-06	150	75	250	125	6	M6	9.5	12.8	28.0	3.2	SW10	1.2
PK□M-08	250	125	400	200	8	M8	12.5	12.5	32.0	4.0	SW13	2.6
PK□M-10	500	250	600	300	10	M10	14.5	14.5	37.5	5.0	SW16	4.0
PK□M-12	700	350	900	450	12	M12	16.5	15.5	42.0	6.0	SW18	7.5
PK□M-14	800	400	1,100	550	14	M14	19.5	15.5	47.0	7.0	SW21	11.4
PK□M-16	900	450	1,400	700	16	M16	22.0	16.5	52.0	8.0	SW24	16.9
PK□M-18	800	400	1,700	850	18	M18 x 1.5	24.0	20.5	59.0	9.0	SW27	16.9
PK□M-20	500	250	2,200	1,100	20	M20 x 1.5	26.0	25.0	67.0	10.0	SW30	34.4

²¹⁾ Delivery time: 4–6 weeks

Can be combined with:



Adapters for dimensional E series pillow block bearings



- Same dimensions as metallic pillow block bearings
- Lightweight
- For pillow block bearings of dimensional E series (ESTM, ESTM-GT)
- Chemical and corrosion-resistant
- Fits directly
- Space-saving
- Same screws as traditional metallic versions

Technical data

Part No.	Max. radial tensile force [Fz]		Max. radial compressive strength [Fd]		Max. lateral strength [Fs]		Max. axial strength [Fa] (tensile/compressive)		Weight [g]
	Short-term	Long-term	Short-term	Long-term	Short-term	Long-term	Short-term	Long-term	
	[N]	[N]	[N]	[N]	[N]	[N]	[N]	[N]	
AD-01-ESTM-20 ²⁶⁾	2,400	1,200	10,000	5,000	3,000	1,500	1,200	600	29.8
AD-01-ESTM-25 ²⁷⁾	2,400	1,200	10,000	5,000	3,000	1,500	1,200	600	74.0
AD-01-ESTM-30 ²⁷⁾	2,400	1,200	10,000	5,000	3,000	1,500	1,200	600	124.0

Dimensions [mm]

Part No.	for ESTM-...	L	A	R	J	h1	N	N1	m	Mx
AD-01-ESTM-20 ²⁶⁾	ESTM-20	130	20	10.0	97	13.3	11	8	46	M8
AD-01-ESTM-25 ²⁷⁾	ESTM-25	130	20	10.0	102	12.5	11	9	54	M8
AD-01-ESTM-30 ²⁷⁾	ESTM-30	158	25	12.5	118	14.9	14	10	64	M10

²⁶⁾ Material: plastic (igumid G)

²⁷⁾ Material: aluminium

Can be combined with:



ESTM



ESTM-GT-GT



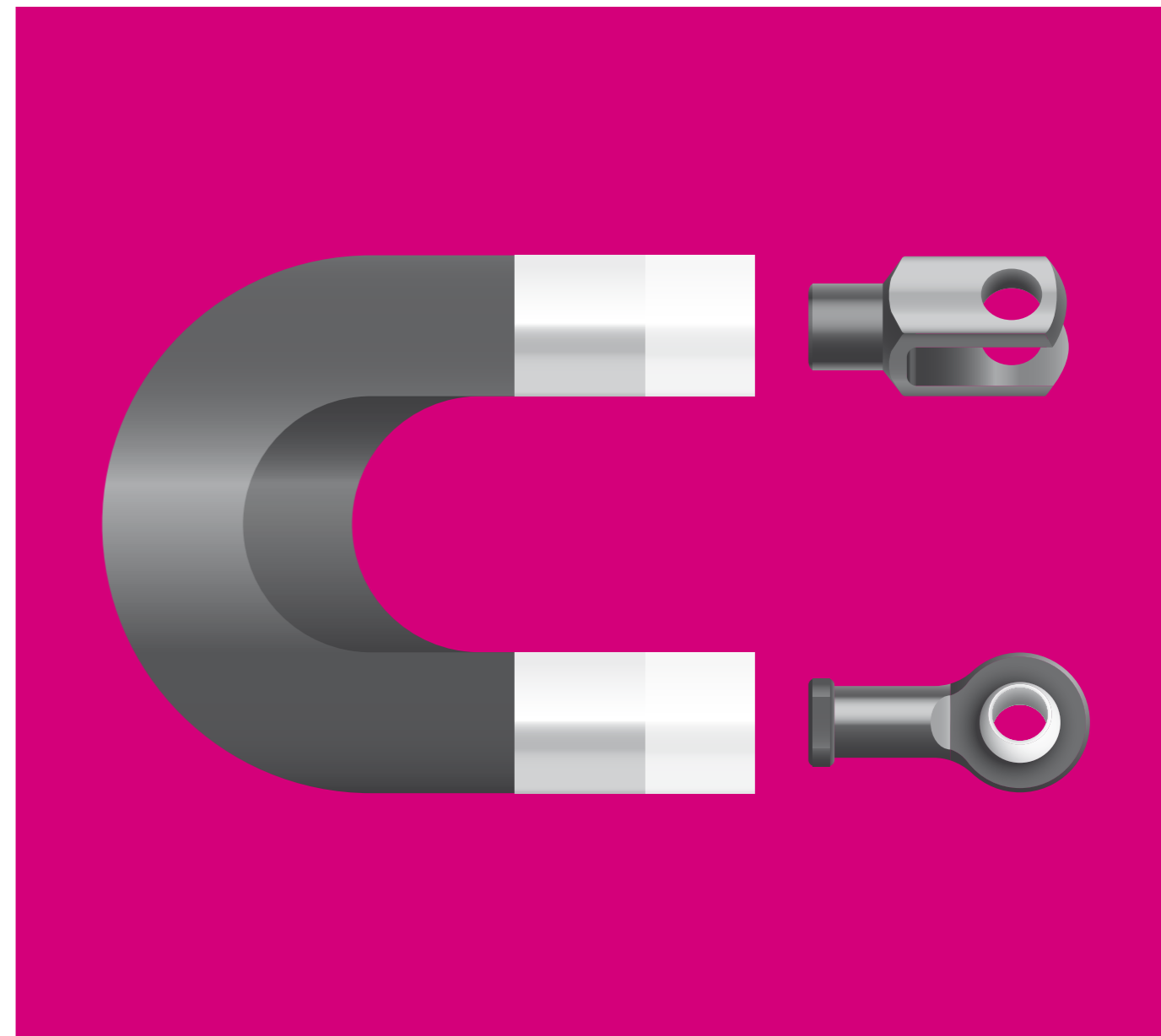
ESTM-GT

Order key

Type	Size [mm]
------	-----------

AD-01- E ST M -20

Adapter	E series	Pillow block bearings	Metric	Inner Ø
---------	----------	-----------------------	--------	---------



igubal® detectable

Resistant to dust and dirt

Lubrication and maintenance-free

Vibration-dampening

Lightweight

Corrosion-free

