



...E4.350
crossbars every link

e-chains® | Series E4.350 crossbars every link (removable along the inner and outer radius)

Part No. e-chains®	<i>Bi</i> [mm]	<i>Ba</i> [mm]	E4.350 [kg/m]	Part No. e-chains®	<i>Bi</i> [mm]	<i>Ba</i> [mm]	E4.350 [kg/m]
E4.350. 400. R.0	400	540	61,9	E4.350. 700. R.0	700	840	73,4
E4.350. 500. R.0	500	640	65,7	E4.350. 800. R.0	800	940	77,2
E4.350. 600. R.0	600	740	69,6				

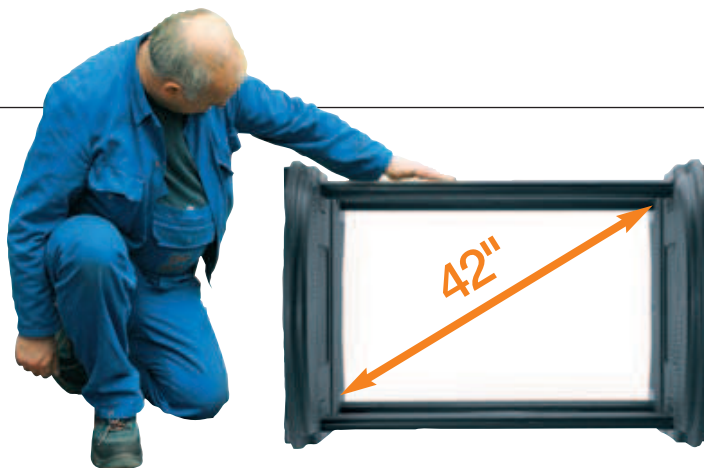
Available bend radii *R* [mm] 500 | 750 | 1000

Supplement Part No. with required radius (*R*). Example:

E4.350.500.500.0 = e-chain® with crossbars every link, inner width *Bi* 500 mm, radius *R* 500 mm, colour black

Largest* plastic e-chain® - series E4.350 now available as ESD-version

Not only the material is important for a safe electrostatic discharge. The structural design is also crucial for a truly safe use. The e-chains® from the E4.1 modular kit ensure a permanently constant discharge because they have a positive connection of the e-chain® links to one another. **More information** ► www.igus.eu/ESD



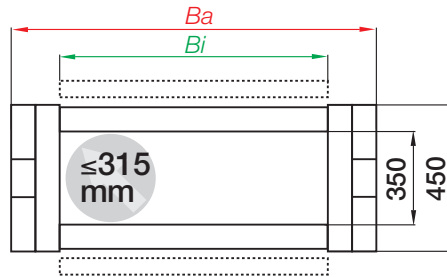
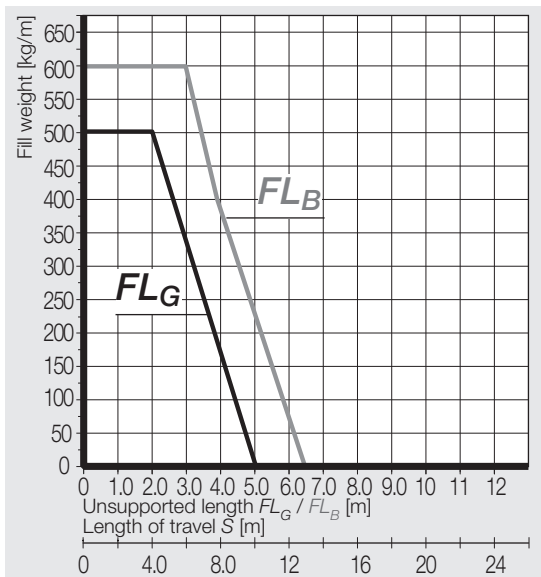
igus® Serie E4.350 - extreme inner height: 350 mm

Please ask the igus® project team for additional support when specifying this series.
(*issue 11/2011)

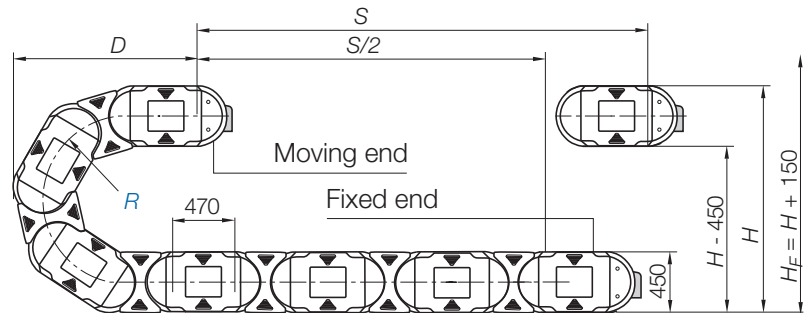
► Phone +49 2203 9649-800



Unsupported applications | Short travels

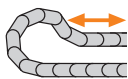


Inner height 350 mm
 Pitch 470 mm/link
 Links/m 2 (940 mm)
 Chain length $S/2 + K$



R	500	750	1000
H_{+25}^{-0}	1450	1950	2450
D	1430	1680	1930
K	2515	3300	4085

The required clearance height: $H_F = H + 150\text{ mm}$



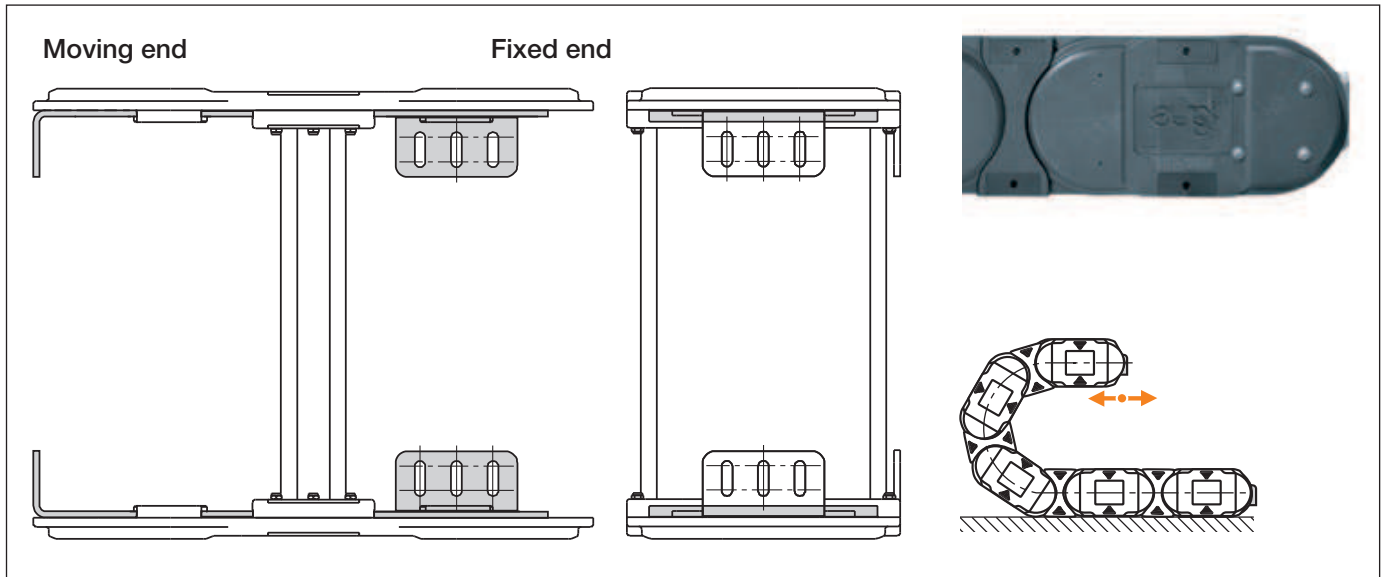
i Gliding applications for long travels are available upon request, please consult igus®.



Cleaning of a port basin in Antwerp. On a stroke of 138 meters an e-chain® series E4.350 guides cables and hoses with a total fill weight of 98 kg/m

E4.1 | Series E4.350 | Accessories

Steel mounting brackets | Locking



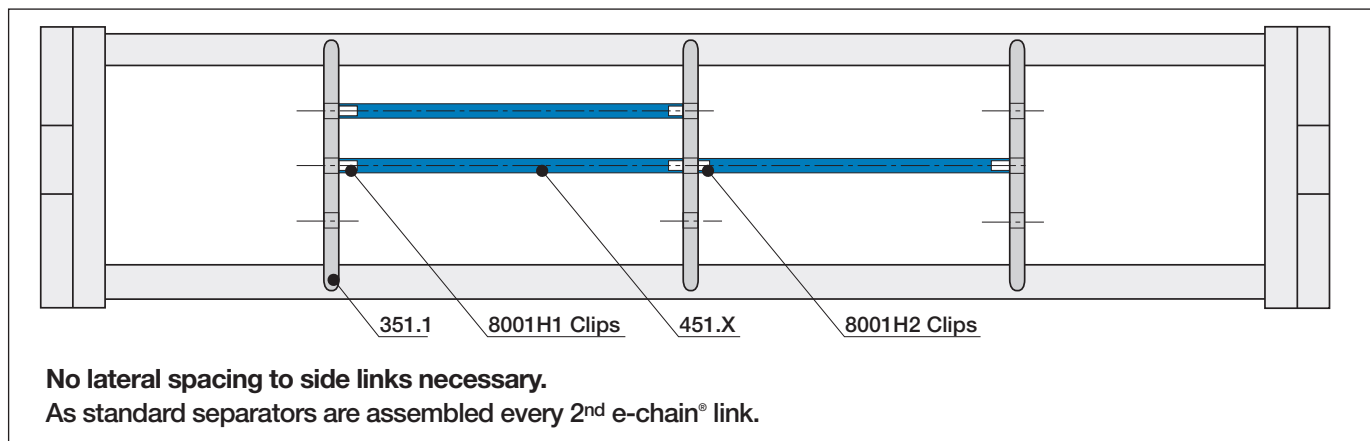
Steel mounting brackets

-  Mounting brackets for serie E4.350 according to your requirements.
Steel or stainless steel available (material: stainless steel 1.4301).



Robust steel mounting bracket for secure fixation and connection

Interior separation



Separator for vertical subdivision
unassembled **350.1**
assembled **351.1**

Separator for vertical subdivision 350.1

For a vertical subdivision subdivision 450.X at 3 different heights.

Shelf for horizontal subdivision
unassembled **450.X**
assembled **451.X**

Shelf for horizontal subdivision 450.X

For horizontal separation with clips separators for vertical subdivision. Horizontal shelves of various widths can be fitted at 3 different heights.

Horizontal shelves

Width X [mm]	unassembled	assembled	Width X [mm]	unassembled	assembled	Width X [mm]	unassembled	assembled
50	450.50	451.50	225	450.225	451.225	400	450.400	451.400
65	450.65	451.65	237	450.237	451.237	412	450.412	451.412
75	450.75	451.75	250	450.250	451.250	425	450.425	451.425
87	450.87	451.87	262	450.262	451.262	437	450.437	451.437
100	450.100	451.100	275	450.275	451.275	450	450.450	451.450
112	450.112	451.112	287	450.287	451.287	462	450.462	451.462
125	450.125	451.125	300	450.300	451.300	475	450.475	451.475
137	450.137	451.137	312	450.312	451.312	487	450.487	451.487
150	450.150	451.150	325	450.325	451.325	500	450.500	451.500
162	450.162	451.162	337	450.337	451.337	512	450.512	451.512
175	450.175	451.175	350	450.350	451.350	525	450.525	451.525
187	450.187	451.187	362	450.362	451.362	537	450.537	451.537
200	450.200	451.200	375	450.375	451.375	550	450.550	451.550
212	450.212	451.212	387	450.387	451.387	600	450.600	451.600