

enclosures:

- size "49.16" .....from page 208
- size "66.16" .....from page 211
- size "44.27" .....from page 218
- size "57.27" .....from page 222
- size "77.27" .....from page 228
- size "104.27" .....from page 236

inserts with screw fixing centre distance:

- 49 x 16 mm (CZAC 15 L enclosures)
- 66 x 16 mm (CZAC 25 L enclosures)
- 44 x 27 mm (CAC 06 L enclosures)
- 57 x 27 mm (CAC 10 enclosures)
- 77.5 x 27 mm (CAC 16 enclosures)
- 104 x 27 mm (CAC 24 enclosures)

hoods without entry, to be pierced



description

part no.  
with 2 pegs

part no.  
with 4 pegs

with pegs for levers

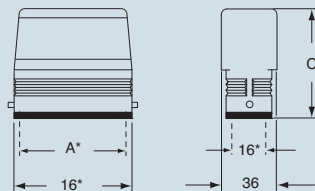
- used with enclosures size "49.19"
- used with enclosures size "66.16"
- used with enclosures size "44.27"
- used with enclosures size "57.27"
- used with enclosures size "77.27"
- used with enclosures size "104.27"

**CZAC 15 L**  
**CZAC 25 L**  
**CAC 06 L**  
**CAC 10 L**  
**CAC 16 L**  
**CAC 24 L**

**CAC 10**  
**CAC 16**  
**CAC 24**

dimensions in mm

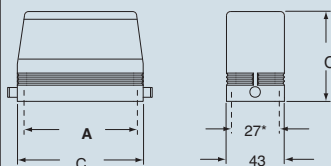
**CZAC L**



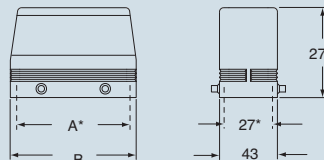
part	A*	B	C
<b>CZAC 15 L</b>	49,5	63	64,5
<b>CZAC 25 L</b>	66	79,5	70,5

\*) screw fixing centre distance

**CAC L**



**CAC**



part	A*	B	C
<b>CAC 06 L</b>	44	60	72
<b>CAC 10 - CAC 10 L</b>	57	73	70
<b>CAC 16 - CAC 16 L</b>	77.5	93.5	76
<b>CAC 24 - CAC 24 L</b>	104	120	76

\*) screw fixing centre distance



dimensions shown are not binding  
and may be changed without notice

special design

inserts:		page
CD .....	64 poles + ⊕	51
CDD .....	108 poles + ⊕	64
CQE .....	46 poles + ⊕	83
CSH .....	24 poles + ⊕	91
CCE .....	24 poles + ⊕	100
CNE, CSE, JCNE, JCSE	24 poles + ⊕	101
CSS .....	24 poles + ⊕	124
CMSE .....	10+2 (aux) poles + ⊕	139
CMCE .....	10+2 (aux) poles + ⊕	138
CX .....	4/8 poles + ⊕	155
MIXO .....	6 modules	165÷195

insert centre distance:  
104 x 27 mm

hoods for ribbon cable with 4 pegs



**NEW**

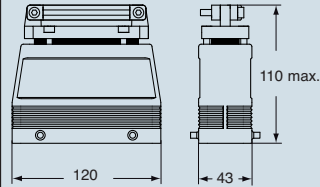
gaskets for ribbon cable hood



**NEW**

description	part no.	part no.
with pegs, top entry	<b>CAN 24</b>	
ribbon cable seals (supplied separately) - one slot for cable sizes 18.8 x 5.8 mm - one slot for cable sizes 63.8 x 5.1 mm - one slot for cable sizes 36 x 9 mm - not pre-drilled		<b>CRN 1</b> <b>CRN 2</b> <b>CRN 3</b> <b>CRN P</b>

dimensions in mm



dimensions shown are not binding  
and may be changed without notice

inserts:	page
<b>CME</b> ..... 10+2 (aux) poles + ⊕	139
<b>CME, CMCE</b> ..... 16+2 (aux) poles + ⊕137 e	136

insert centre distance:  
**104 x 27 mm**

hoods for ribbon cable with 4 pegs



**NEW**

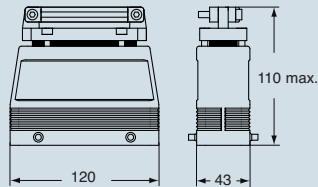
gaskets for ribbon cable hood



**NEW**

description	part no.	part no.
with pegs, top entry	<b>CMAN 16</b>	
ribbon cable seals (supplied separately) - one slot for cable sizes 18.8 x 5.8 mm - one slot for cable sizes 63.8 x 5.1 mm - one slot for cable sizes 36 x 9 mm - not pre-drilled		<b>CRN 1</b> <b>CRN 2</b> <b>CRN 3</b> <b>CRN P</b>

dimensions in mm



CMAN

dimensions shown are not binding  
and may be changed without notice

enclosures:  
 size "77.27"  
 size "104.27"

**Note:**  
 cannot be used with T-TYPE series

**cable passing hoods**  
 degree of protection IP54



description	part No.	size
with pegs for two levers - 3 holes for round cables $\varnothing 5 \div 13.5$ mm - 4 holes for round cables $\varnothing 5 \div 13.5$ mm	<b>CYR 16.3</b> <b>CYR 24.4</b>	77.27 104.27

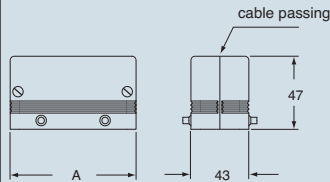
**CYR enclosures for round cables**

The CYR enclosures are used in installations that require a passage for round cables for data transmission (e.g. computers or PLC) via equipment such as command or control panels, ensuring a good condition of the cable connections.

The enclosures are in two parts and have sealing gaskets to preserve the degree of protection of the equipment. The enclosures also contain a rapid cable block device.

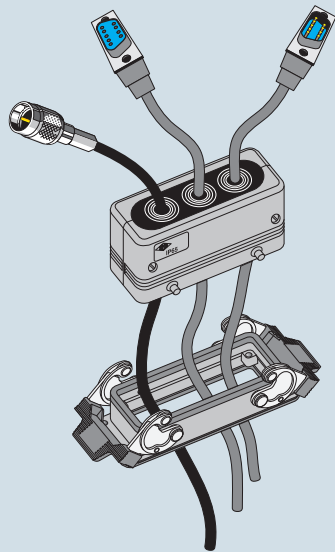
The CYR 16.3 and 24.4 can be used with the **bulkhead mounting housings with 2 levers** respectively.

dimensions in mm



part No.	A	grommet entry	nr.	size
<b>CYR 16.3</b>	93.5	$\varnothing 5 / 13.5$	3	77.27
<b>CYR 24.4</b>	120	$\varnothing 5 / 13.5$	4	104.27

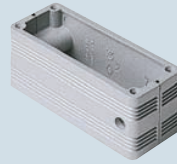
CYR



dimensions shown are not binding  
 and may be changed without notice

enclosures:  
size "77.27"

enclosures for in-line joints  
degree of protection IP65



**Note:**

cannot be used with T-TYPE series and IP68 series

description

part No.

without housings (to be ordered separately)  
made in two halves

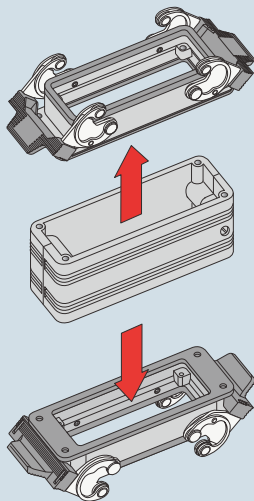
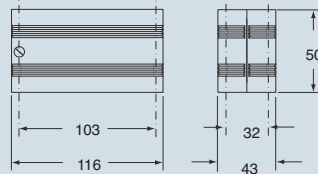
**CYG 16**

**CYG 16 in-line joint**

- the joint is made with the CYG 16 enclosure and two bulkhead housings "size 77.27" with one or two levers (to be ordered separately).
- the joint is ideal for use with extension connections and/or as adaptor.
- made in two halves to facilitate conductor cabling.
- two inserts in various combinations may be inserted in the joint (to be ordered separately):

- » female/female inserts (as adaptor joint)
- » male/male inserts (as adaptor joint)
- » female/male inserts (as extension joint)

dimensions in mm

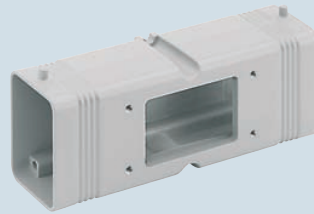


dimensions shown are not binding  
and may be changed without notice

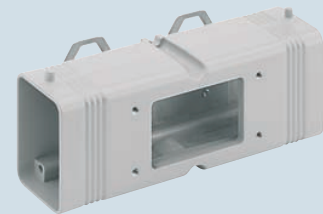
enclosures:  
size "44.27"  
size "57.27"

- degree of protection IP65 (according to EN 60529)

1 branch-off T-BOX coupling



1 branch-off T-BOX coupling to be fitted on DIN rails



description

part No.

part No.

for 2 **C** hoods with lever and gasket "44.27" size and one housing "44.27" **A** size

**CYG 06H06**

for 2 **C** hoods with lever and gasket "44.27" size and one housing "57.27" **A** size

**CYG 06H10**

for 2 **C** hoods with lever and gasket "44.27" size and one housing "44.27" **A** size

**CYG 06H06D**

for 2 **C** hoods with lever and gasket "44.27" size and one housing "57.27" **A** size

**CYG 06H10D**

**How to use the CYG 06H branch coupling**

The cables are branched off by using the CYG 06H coupling in the 1 or 2 branch-off versions. Multi-pole inserts "44.27" size can be fitted inside the two side recesses.

The entire unit can be used with one lever hoods complete with connector inserts.

The front faces can be fitted with "44.27" and/or "57.27" size bulkhead housings.

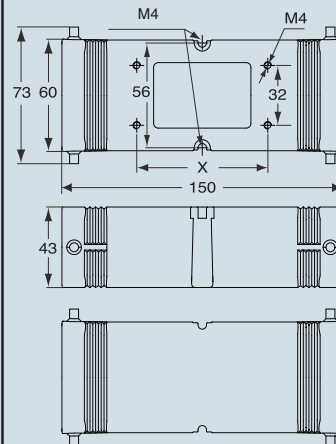
The coupling may also be used as an adapter by using a combination of different insert versions.

The CHC 06 LG cover may be used to close the coupling side faces.

In the branch-offs, the CSS series dual spring terminal inserts allow two wires to be connected without having to fit additional terminals inside the coupling.

dimensions in mm

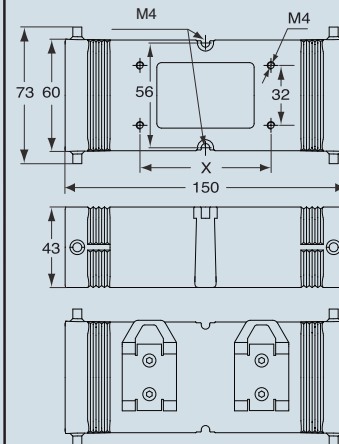
**CYG...H06 / H10**



part No.	X
<b>CYG 06H06</b>	70
<b>CYG 06H10</b>	83

dimensions in mm

**CYG...H06D / H10D**

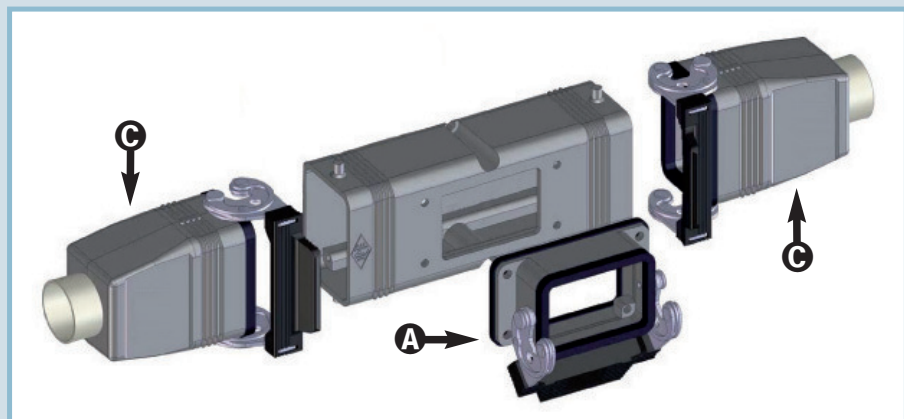


part No.	X
<b>CYG 06H06D</b>	70
<b>CYG 06H10D</b>	83

**Legend:**

- A** bulkhead mounting housings
- C** hoods with lever and gasket (LG)

part No.	<b>A</b>	<b>C</b>
<b>CYG 06H06</b>	06	06
<b>CYG 06H10</b>	10	06
<b>CYG 06H06D</b>	06	06
<b>CYG 06H10D</b>	10	06



dimensions shown are not binding and may be changed without notice