

Use

The CT-series multipole connectors (with incorporated terminal block) are recommended for greater cost-saving and safety for use on machines and command and control panels.

For control panel mounting, bulkhead housings must be used.

The CT series inserts (10A max versions) are supplied in the plug or socket versions and must be mounted with insertion from the rear of the enclosure (Figures 1 and 2). The space occupied by the terminal block does not allow for the passage of the insert and insertion from the front of the enclosure.

As an alternative to the traditional terminal blocks, the inserts can be mounted inside the control panels on DIN EN rails (Figure 5) using suitable accessories providing the added advantage of easy sectioning.

The special structure of the CT inserts has all the conductor connections on the same side providing for easier wiring and a complete view of the work area.

The terminal block also has slots for housing the identification wire markers of each contact. Wire markers of different manufacturers may be used such as: Cabur, Grafoplast, Modernotecnica, Phoenix, Siemens, Wago, Weidmüller.

The CT series is available in the versions "left" and "right" for mounting on the left (Figure 3) or on the right (Figure 4) of the control panel walls.

This characteristic is determined by the position of contact "1" and the ground terminal in the upper part of the insert terminal block for both left and right mounting.

The installation of inserts on DIN rails (Figure 5) inside the control panels is usually made to facilitate the wiring in sectionable parts.

In this case the degree of protection for coupled connectors is IP20 (in accordance with EN 60529).

This type of mounting requires supports (CT APE) to be provided to the inserts suitable for mounting on DIN EN 60715 rail.

In addition, CRBF (female) and CRBM (male) coupling screws instead of normal screws are recommended for fixing the inserts to the enclosures (Figure 5) in order to guarantee a stable and safe coupling between the CT and CTS inserts installed on the DIN rails and corresponding CD inserts.

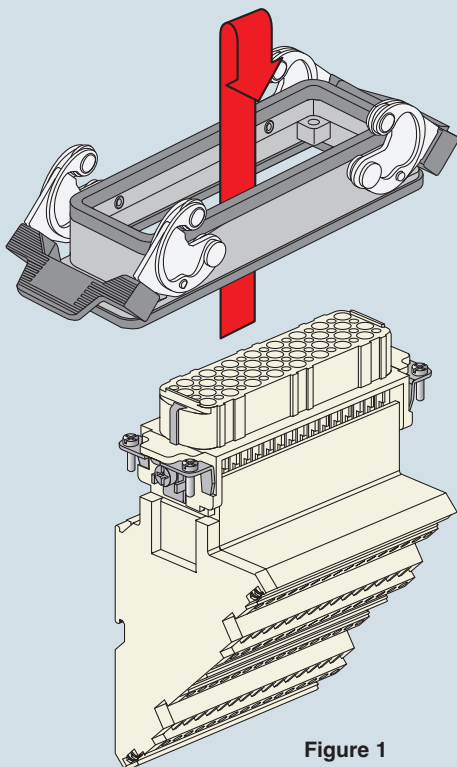


Figure 1

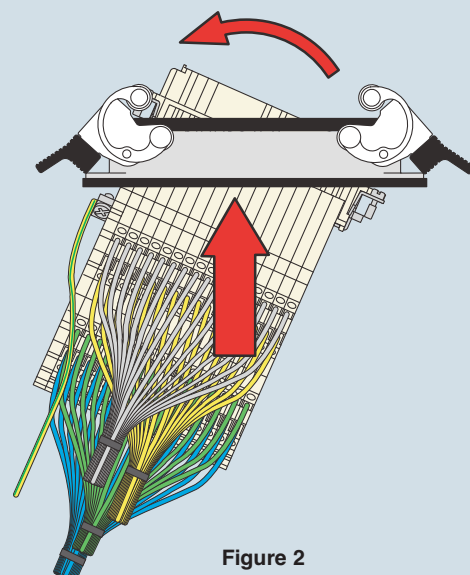


Figure 2

Figures 1 and 2 (rear mounting)

The insert is inserted into the bulkhead housing with pre-wired conductors connected at the opposite end.

Figure 3 (left mounting)

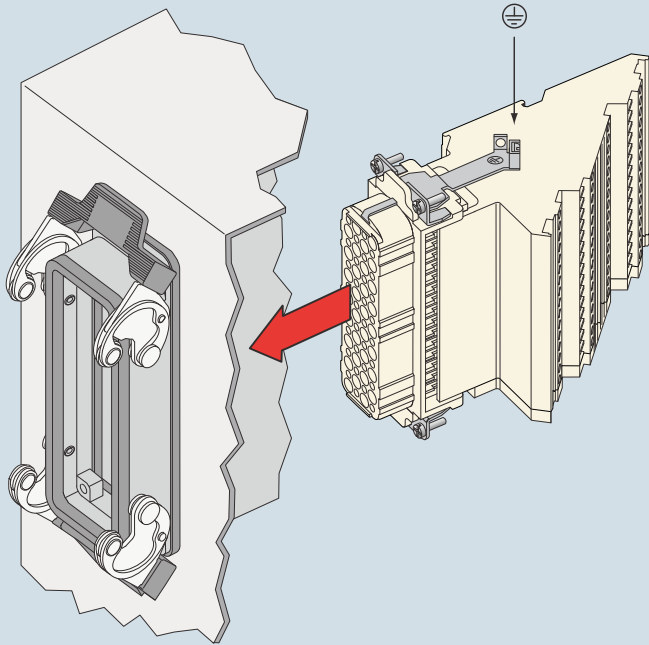


Figure 4 (right mounting)

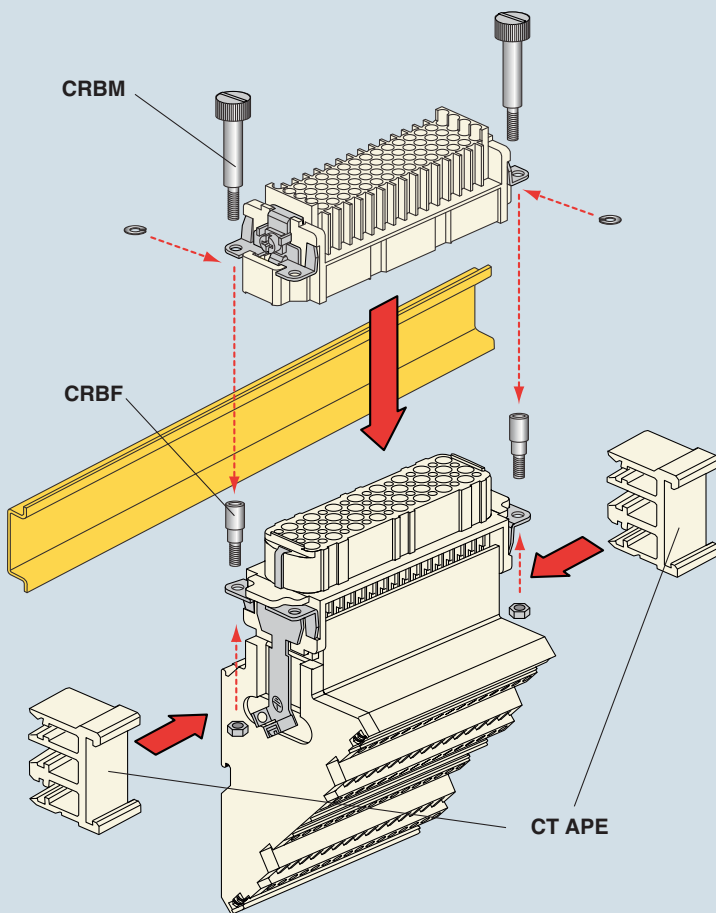
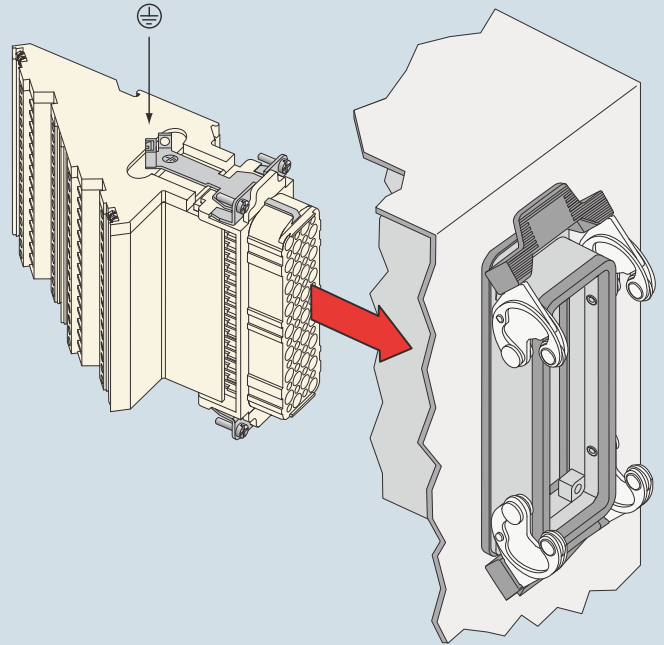
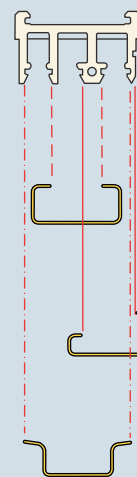


Figure 5 (mounting on DIN rail)



CT APE

possibility of coupling to DIN EN 60715 rail (for a greater stability of the CT inserts of 40 and 64 poles we recommend using the two CT APE supports)

**EN 60715
C 30**

**EN 60715
G 32**

**EN 60715
TH 35-7.5 and TH 35-15**

accessories for CT inserts

- support for mounting on DIN rail (**CT APE** page 422)
- inserts coupling screws (**CRBM** and **CRBF** page 422)
- cable-clamping plates (**CRAD** and **CRAS** page 422)

enclosures ¹⁾:
size "77.27"

page:

C-TYPE IP65/IP66	228
C7 IP67 stainless steel lever	256
V-TYPE IP65/IP66 stainless steel lever	268
JEI zinc-plated steel lever	292
aggressive environments	331
EMC	350

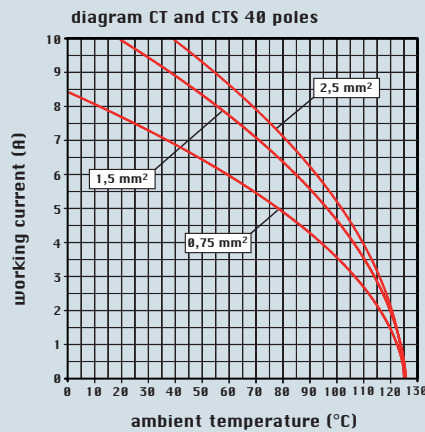
¹⁾ only bulkhead mounted housings

- can be mated with CD inserts
- rear-mounted inserts

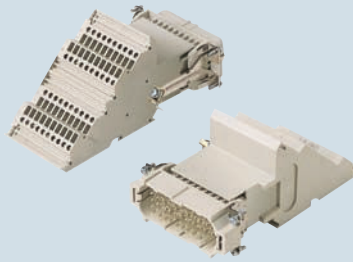
1) for non-prepared conductors

description	part No.	part No.
side-mounting (see page 55) female inserts with female contacts 1) male inserts with male contacts 1)	left CTF 40 L CTM 40 L	right CTF 40 R CTM 40 R
side-mounting (see page 55) female inserts with female contacts male inserts with male contacts	left CTSF 40 L CTSM 40 L	right CTSF 40 R CTSM 40 R

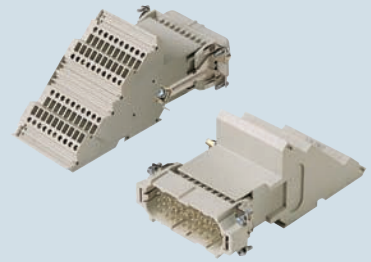
- characteristics according to EN 61984:
10A 250V 4kV 3
10A 230/400V 4kV 2
- UL, CSA, CCC, GL, GOST certified
- rated voltage according to UL/CSA: 600V
- insulation resistance: $\geq 10 \text{ G}\Omega$
- ambient temperature limit: $-40 \text{ }^\circ\text{C} \dots +125 \text{ }^\circ\text{C}$
- are made of self-extinguishing thermoplastic resin UL 94 V0
- mechanical life: ≥ 500 cycles
- contact resistance: $\leq 4 \text{ m}\Omega$
- for maximum current load, see the following load curves inserts, for more information see page 493



**terminal block inserts
screw terminal connection**

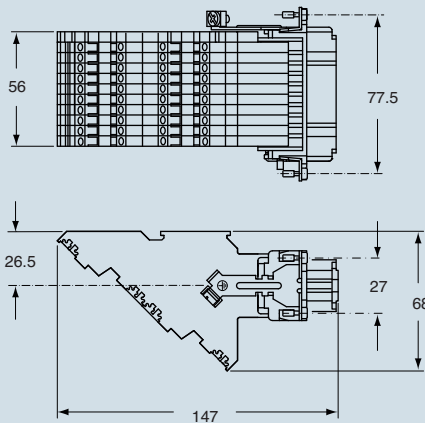


**terminal block inserts
spring terminal connection**

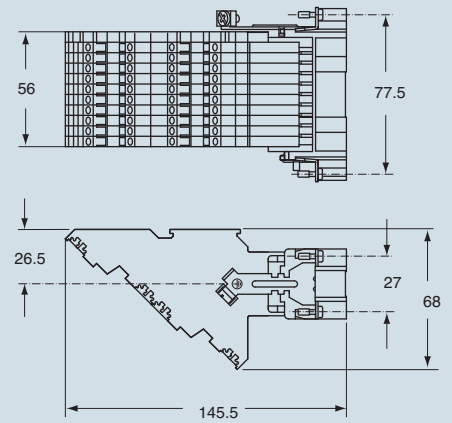


dimensions in mm

female inserts (CTF and CTSF)

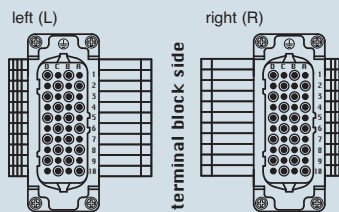


male inserts (CTM and CTSM)

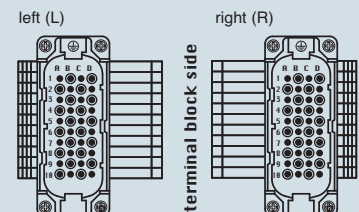


contacts side (front view)

female inserts (CTF and CTSF)

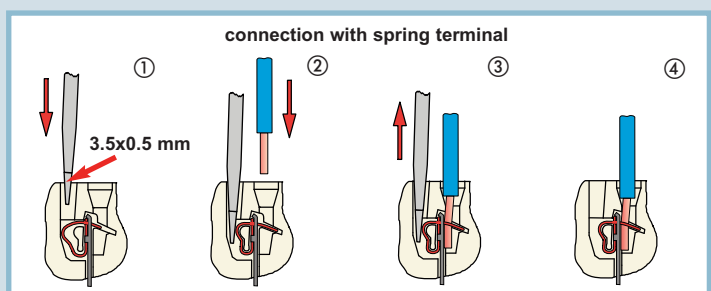


male inserts (CTM and CTSM)



- CT inserts with plate, for section conductors: 0.75 - 2.5 mm² - AWG 18 - 14
- conductors stripping length: 12 mm
- terminal screw torque: 0.4 Nm (3.54 lb.in), for more information see page 21 and 22

- CTS spring inserts for section conductors:
effective sections for non-prepared conductors 0.14 - 2.5 mm² - AWG 26 - 14
effective sections for prepared conductors 0.14 - 1 mm² - AWG 26 - 18
- conductors stripping length: 9...11 mm



dimensions shown are not binding
and may be changed without notice

CT - CTS

enclosures ¹⁾:
size "104.27"

page:

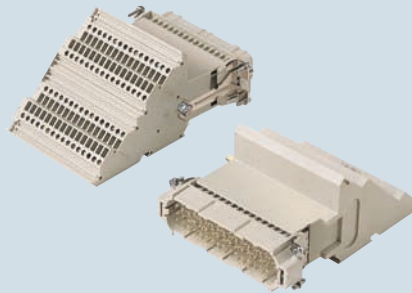
C-TYPE IP65/IP66	236
C7 IP67 stainless steel lever	257
V-TYPE IP65/IP66 stainless steel lever	272
JEI zinc-plated steel lever	294
aggressive environments	332
EMC	351

¹⁾ only bulkhead mounted housings

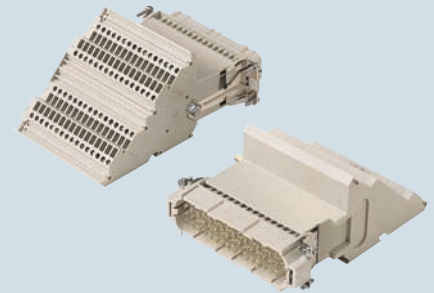
- can be mated with CD inserts
- rear-mounted inserts

1) for non-prepared conductors

**terminal block inserts
screw terminal connection**



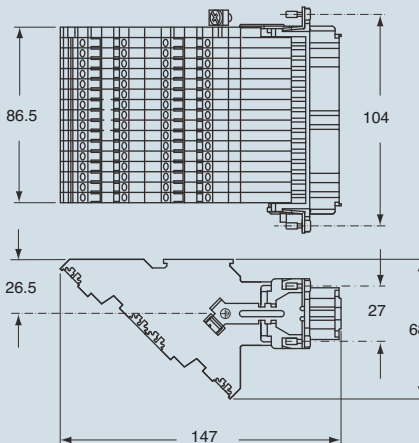
**terminal block inserts
spring terminal connection**



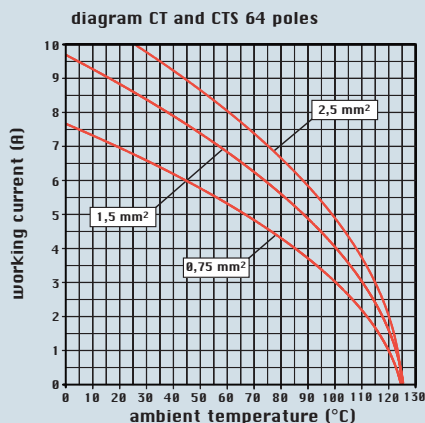
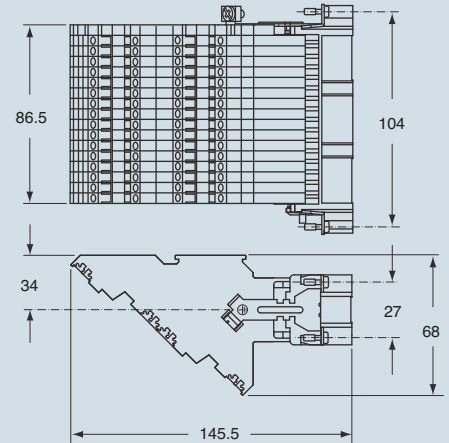
description	part No.	part No.	part No.	part No.
side-mounting (see page 55) female inserts with female contacts 1) male inserts with male contacts 1)	left CTF 64 L CTM 64 L	right CTF 64 R CTM 64 R	left CTS F 64 L CTSM 64 L	right CTS F 64 R CTSM 64 R
side-mounting (see page 55) female inserts with female contacts male inserts with male contacts				

- characteristics according to EN 61984:
10A 250V 4kV 3
10A 230/400V 4kV 2
- UL, CSA, CCC, GL, GOST certified
- rated voltage according to UL/CSA: 600V
- insulation resistance: $\geq 10 \text{ G}\Omega$
- ambient temperature limit: $-40 \text{ }^\circ\text{C} \dots +125 \text{ }^\circ\text{C}$
- are made of self-extinguishing thermoplastic resin UL 94 V0
- mechanical life: ≥ 500 cycles
- contact resistance: $\leq 4 \text{ m}\Omega$
- for maximum current load, see the following load curves inserts, for more information see page 493

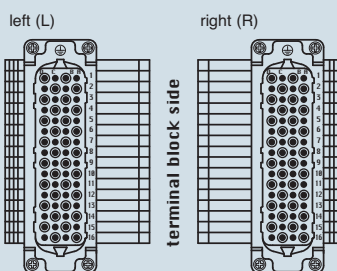
dimensions in mm
female inserts (CTF and CTSF)



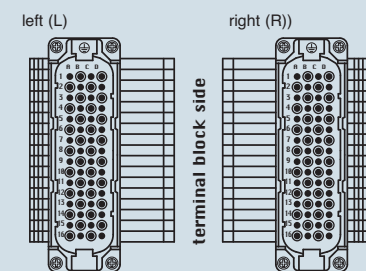
male inserts (CTM and CTSM)



contacts side (front view) **female inserts (CTF and CTSF)**

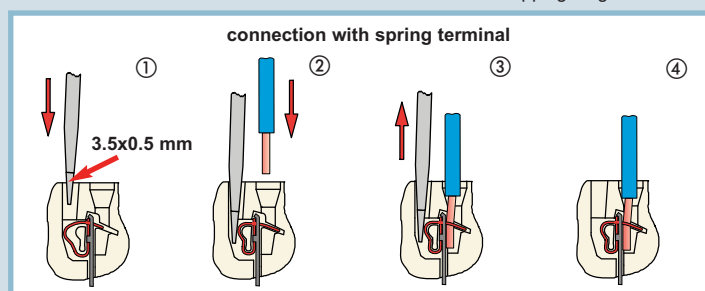


contacts side (front view) **male inserts (CTM and CTSM)**



- CT inserts with plate, for section conductors:
0.75 - 2.5 mm² - AWG 18 - 14
- conductors stripping length: 9...11 mm
- terminal screw torque: 0.4 Nm (3.54 lb.in), for more information see page 21 and 22

- CTS spring inserts for section conductors:
effective sections for non-prepared conductors
0.14 - 2.5 mm² - AWG 26 - 14
effective sections for prepared conductors
0.14 - 1 mm² - AWG 26 - 18
- conductors stripping length: 9...11 mm



dimensions shown are not binding
and may be changed without notice



inserts:		page
CD	40 poles + ⊕	49
CT, CTS (10A)	40 poles + ⊕	56
CDD	72 poles + ⊕	62
CQE	32 poles + ⊕	82
CSH	16 poles + ⊕	90
CCE	16 poles + ⊕	98
CNE, CSE, JCNE, JCSE	16 poles + ⊕	99 and 108
CSS	16 poles + ⊕	120
CT, CTE, CTSE (16A)	16 poles + ⊕	128 and 132
CMSE	6+2 (aux) poles + ⊕	137
CMCE	6+2 (aux) poles + ⊕	136
CP	6 poles + ⊕	149
CX	6/36 and 12/2 poles + ⊕	152+153
CX	4/0 and 4/2 poles + ⊕	154
MIXO	4 modules	156+195

insert centre distance: 77.5 x 27 mm

bulkhead mounting housings with 2 levers or 4 pegs



bulkhead mounting housings with single lever

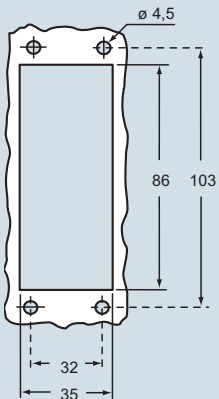


description	part no.	part no.
with one or two levers	CHI 16	CHI 16 L
with pegs ¹⁾	CHI 16 C	
with pegs and aluminum cover ¹⁾	CHI 16 CS	
with pegs and plastic cover ¹⁾	CHI 16 CP	
with lever and cover		CHI 16 LS

¹⁾ may be combined with enclosures:
 - CHO/CAO 16 X and CHV/CAV 16 X
 - MHO/MAO 16 X and MHV/MAV 16 X

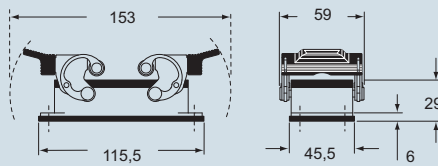
NB: the enclosures ensure IP66 protection (or IP65 for cover versions) rating when mated and locked with the closing levers.
 The door (CS, CP) only ensures mechanical protection, but does not ensure IP65 protection rating.

panel cut-out for bulkhead mounting housings in mm

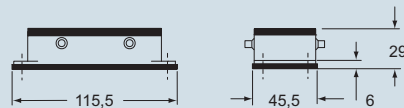


dimensions in mm

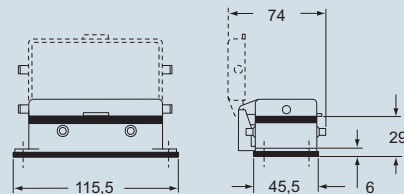
CHI



CHI C

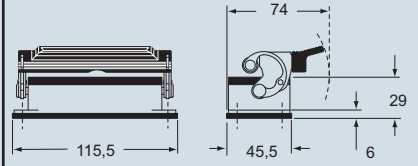


CHI CS/CP

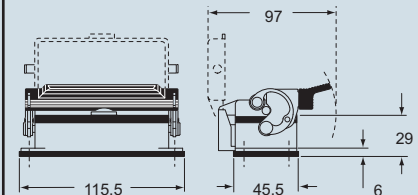


dimensions in mm

CHI L



CHI LS



CALUS® Type 4/4X/12

(excluding enclosures with plastic cover)



dimensions shown are not binding and may be changed without notice

C-TYPE - size 77.27



inserts:		page
CD	64 . poles + ⊕	51
CT, CTS (10A)	64 . poles + ⊕	57
CDD	108 . poles + ⊕	64
CQE	46 . poles + ⊕	83
CSH	24 . poles + ⊕	91
CCE	24 . poles + ⊕	100
CNE, CSE, JCNE, JCSE	24 . poles + ⊕	101 and 109
CSS	24 . poles + ⊕	121
CT, CTE, CTSE (16A)	24 poles + ⊕	129 and 133
CMSE	10+2 (aux) . poles + ⊕	139
CMCE	10+2 (aux) . poles + ⊕	138
CX	4/8 . poles + ⊕	155
MIXO	6 . modules	156+195

insert centre distance:
104 x 27 mm

bulkhead mounting housings with 2 levers or 4 pegs



bulkhead mounting housings with single lever



description	part no.	part no.
with one or two levers	CHI 24	CHI 24 L
with pegs ¹⁾	CHI 24 C	
with pegs and aluminum cover ¹⁾	CHI 24 CS	
with pegs and plastic cover ¹⁾	CHI 24 CP	
with lever and cover		CHI 24 LS

¹⁾ may be combined with enclosures:
- CHO/CAO 24 X and CHV/CAV 24 X
- MHO/MAO 24 X and MHV/MAV 24 X

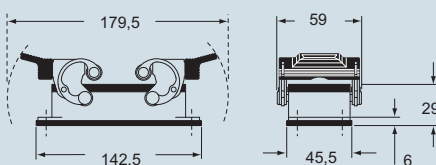
NB: the enclosures ensure IP66 protection (or IP65 for cover versions) rating when mated and locked with the closing levers.
The door (CS, CP) only ensures mechanical protection, but does not ensure IP65 protection rating.

panel cut-out for bulkhead mounting housings in mm

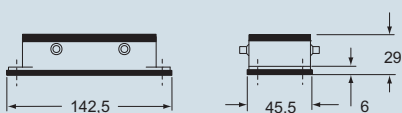


dimensions in mm

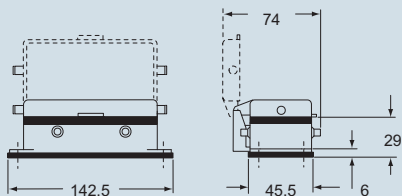
CHI



CHI C

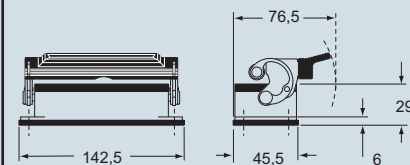


CHI CS/CP

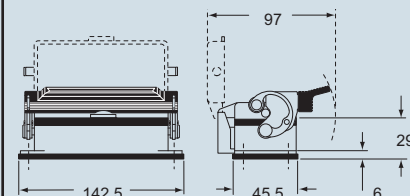


dimensions in mm

CHI L



CHI LS



CAVUS® Type 4/4X/12

(excluding enclosures with plastic cover)



dimensions shown are not binding and may be changed without notice

C-TYPE - size 104.27