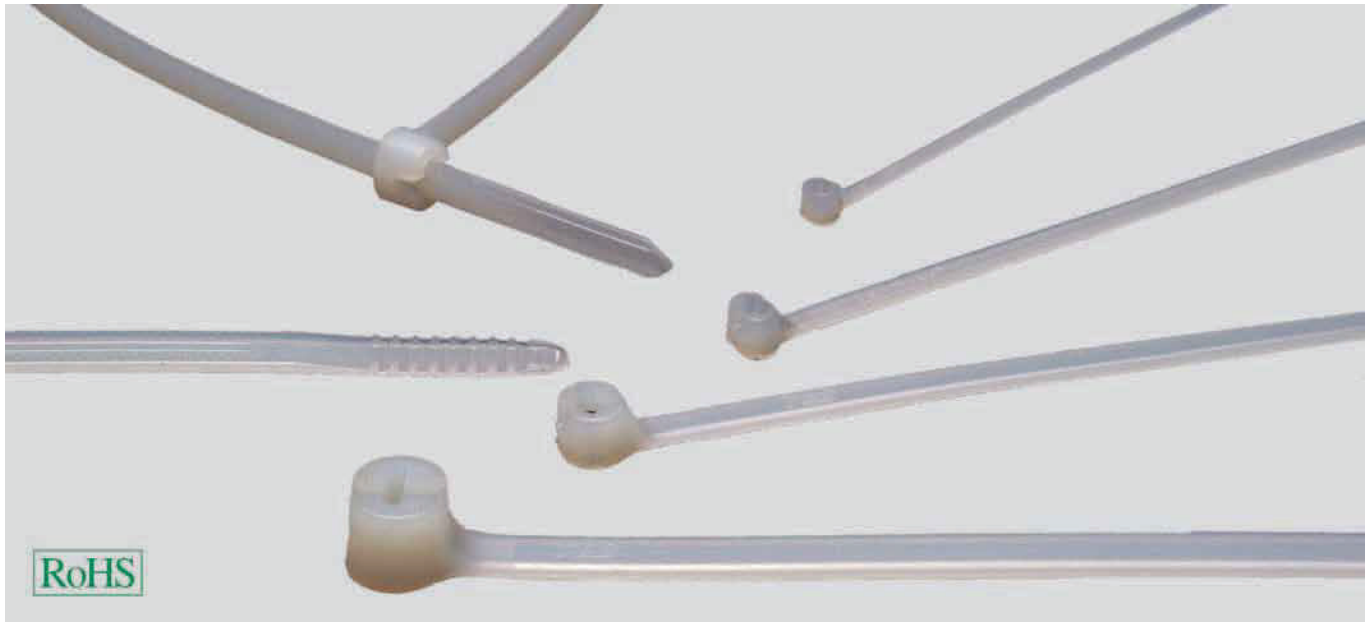


cable tie type TY-RAP®

with steel lug lock - a product by Thomas & Betts



TY-RAP® transparent

TY-RAP® Cable binder with steel lug lock made of corrosion-resistant, non-magnetic steel.

This technology enables the binder to offer excellent binding properties even under the most rigorous conditions such as heat, cold humidity etc. and makes it insensitive to vibrations and external influences.

Material

- halogen-free
- silicone-free

Polyamide 6.6

Technical data

Temperature range: -40°C to +85°C
Flammability acc. to UL 94 V2

Note

Brown, red, orange, yellow, green, purple or grey available on request.

Transparent - standard package

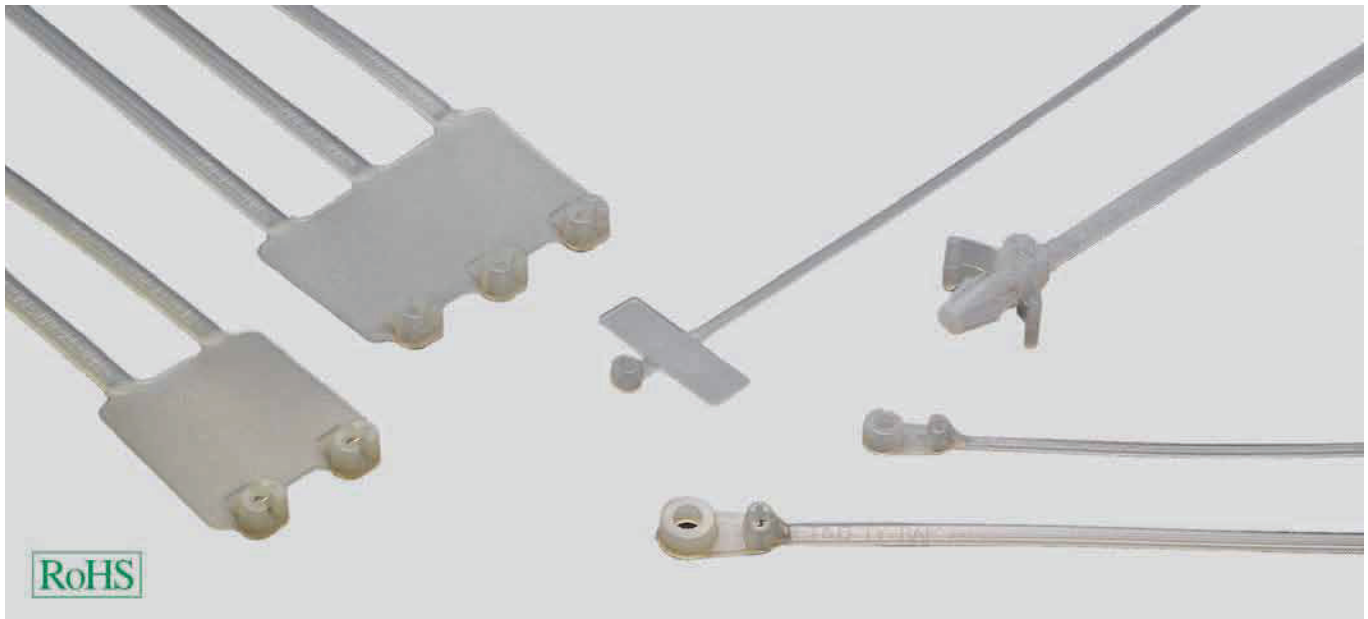
| Part No Transparent | Type T&B | Length mm | Width mm | Bundle ø mm | Load capacity N | Unit Std Pkt |
|------------------------|-----------|--------------|-------------|----------------|--------------------|-----------------|
| 91050 | TY 5-23M | 92.0 | 2.4 | 16.0 | 80.0 | 100 |
| 91054 | TY 5-232M | 200.0 | 2.4 | 50.0 | 80.0 | 100 |
| 91057 | TY 5-234M | 356.0 | 2.4 | 102.0 | 80.0 | 100 |
| 91060 | TY 5-24M | 140.0 | 3.6 | 29.0 | 180.0 | 100 |
| 91063 | TY 5-242M | 208.0 | 3.6 | 50.0 | 180.0 | 100 |
| 91066 | TY 5-26M | 281.0 | 3.6 | 76.0 | 180.0 | 100 |
| 91069 | TY 5-244M | 368.0 | 3.6 | 103.0 | 180.0 | 100 |
| 91072 | TY 5-25M | 186.0 | 4.8 | 45.0 | 220.0 | 100 |
| 91075 | TY 5-253M | 293.0 | 4.8 | 78.0 | 220.0 | 100 |
| 91078 | TY 5-28M | 360.0 | 4.8 | 102.0 | 220.0 | 100 |
| 91081 | TY 5-272M | 203.0 | 7.0 | 50.0 | 540.0 | 50 |
| 91084 | TY 5-27M | 338.0 | 7.0 | 90.0 | 540.0 | 50 |
| 91087 | TY 5-29M | 762.0 | 7.0 | 229.0 | 540.0 | 50 |

Transparent - bulk package

| Part No Transparent | Type T&B | Length mm | Width mm | Bundle ø mm | Load capacity N | Unit Bulk Pkt |
|------------------------|----------|--------------|-------------|----------------|--------------------|------------------|
| 91051 | TYB 23M | 92.0 | 2.4 | 16.0 | 80.0 | 1000 |
| 91055 | TY 232M | 200.0 | 2.4 | 50.0 | 80.0 | 1000 |
| 91058 | TY 234M | 356.0 | 2.4 | 102.0 | 80.0 | 1000 |
| 91061 | TYB 24M | 140.0 | 3.6 | 29.0 | 180.0 | 1000 |
| 91064 | TY 242M | 208.0 | 3.6 | 50.0 | 180.0 | 1000 |
| 91067 | TY 26M | 281.0 | 3.6 | 76.0 | 180.0 | 1000 |
| 91070 | TY 244M | 368.0 | 3.6 | 103.0 | 180.0 | 1000 |
| 91073 | TYB 25M | 186.0 | 4.8 | 45.0 | 220.0 | 1000 |
| 91076 | TY 253M | 293.0 | 4.8 | 78.0 | 220.0 | 1000 |
| 91079 | TY 28M | 360.0 | 4.8 | 102.0 | 220.0 | 1000 |
| 91082 | TY 272M | 203.0 | 7.0 | 50.0 | 540.0 | 500 |
| 91085 | TY 27M | 338.0 | 7.0 | 90.0 | 540.0 | 500 |
| 91088 | TY 29M | 762.0 | 7.0 | 229.0 | 540.0 | 500 |

cable tie with label

with steel lug lock - a product by Thomas & Betts



TY-RAP® Cable binders with steel lug lock made of corrosion-resistant, non-magnetic steel. This technology enables the binder to offer excellent binding properties even under the most rigorous conditions such as heat, cold, humidity etc. and makes it insensitive to vibrations and external influences.

Material

- halogen-free
- silicone-free

Polyamide 6.6

Technical data

Temperature range: -40°C to +85°C

Flammability acc. to UL 94 V2

Note

TY-RAP® (special types)

marking area below the latch

| Part No Transparent | Type T&B | Colour | Length mm | Width mm | Bundle ø mm | Load capacity N | Hole ø | Feild WxH | Unit Std Pkt |
|------------------------|----------|-------------|--------------|-------------|----------------|--------------------|--------|--------------|-----------------|
| 91108 | TY 551M | transparent | 92.0 | 2.4 | 16.0 | 80.0 | - | 25 x 8 | 50 |
| 91109 | TY 5512M | transparent | 210.0 | 2.4 | 51.0 | 80.0 | - | 25 x 8 | 100 |
| 91113 | TY 546MT | transparent | 184.0 | 4.8 | 45.0 | 3 x 660.0 | - | 46 x 24 | 100 |
| 91114 | TY 46MF | transparent | 184.0 | 4.8 | 45.0 | 4 x 880.0 | - | 63 x 24 | 500 |
| 91111 | TY 546M | transparent | 184.0 | 4.8 | 45.0 | 220.0 | - | 22 x 13 | 100 |
| 91112 | TY 546MD | transparent | 184.0 | 4.8 | 45.0 | 2 x 440.0 | - | 30 x 25 | 50 |
| 91110 | TY 548M | transparent | 360.0 | 4.8 | 102.0 | 220.0 | - | 54 x 13 | 100 |

| Part No Transparent | Type T&B | Colour | Length mm | Width mm | Bundle ø mm | Load capacity N | Hole ø | Feild WxH | Unit Bulk Pkt |
|------------------------|----------|-------------|--------------|-------------|----------------|--------------------|--------|--------------|------------------|
| 91108B | TY 51M | transparent | 92.0 | 2.4 | 16.0 | 80.0 | - | 25 x 8 | 500 |
| 91109B | TY 512M | transparent | 210.0 | 2.4 | 51.0 | 80.0 | - | 25 x 8 | 1000 |
| 91113B | TY 46MT | transparent | 184.0 | 4.8 | 45.0 | 3 x 660.0 | - | 46 x 24 | 500 |
| 91114B | TY 46MF | transparent | 184.0 | 4.8 | 45.0 | 4 x 880.0 | - | 63 x 24 | 500 |
| 91111B | TY 46M | transparent | 184.0 | 4.8 | 45.0 | 220.0 | - | 22 x 13 | 1000 |
| 91112B | TY 46MD | transparent | 184.0 | 4.8 | 45.0 | 2 x 440.0 | - | 30 x 25 | 500 |
| 91110B | TY 48M | transparent | 360.0 | 4.8 | 102.0 | 220.0 | - | 54 x 13 | 1000 |

with assembly hole

| Part No Transparent | Type T&B | Colour | Length mm | Width mm | Bundle ø mm | Load capacity N | Hole ø | Unit Std Pkt |
|------------------------|----------|-------------|--------------|-------------|----------------|--------------------|--------|-----------------|
| 91093 | TY 33M | transparent | 101.0 | 2.4 | 16.0 | 80.0 | 2.8 | 100 |
| 91094 | TY 34M | transparent | 152.0 | 3.6 | 29.0 | 180.0 | 4.2 | 100 |
| 91096 | TY 35M | transparent | 198.0 | 4.8 | 45.0 | 220.0 | 4.8 | 100 |
| 91098 | TY 37M | transparent | 354.0 | 7.6 | 90.0 | 540.0 | 6.3 | 50 |

| Part No Transparent | Type T&B | Colour | Length mm | Width mm | Bundle ø mm | Load capacity N | Hole ø | Unit Bulk Pkt |
|------------------------|----------|-------------|--------------|-------------|----------------|--------------------|--------|------------------|
| 91093B | TY 33M | transparent | 101.0 | 2.4 | 16.0 | 80.0 | 2.8 | 1000 |
| 91094B | TY 34M | transparent | 152.0 | 3.6 | 29.0 | 180.0 | 4.2 | 1000 |
| 91096B | TY 35M | transparent | 198.0 | 4.8 | 45.0 | 220.0 | 4.8 | 1000 |
| 91098B | TY 37M | transparent | 354.0 | 7.6 | 90.0 | 540.0 | 6.3 | 500 |

with plug-in clip

| Part No Transparent | Type T&B | Colour | Length mm | Width mm | Bundle ø mm | Load capacity N | Hole ø | Unit Std Pkt | Unit Bulk Pkt |
|------------------------|----------|-------------|--------------|-------------|----------------|--------------------|--------|-----------------|------------------|
| 91103 | TY 538M | transparent | 197.0 | 4.8 | 45.0 | 220.0 | - | 100 | 1000 |

cable tie type TY-MX

with steel lug lock - a product by Thomas & Betts



6

TY-RAP® (UV-stabilised)

TY-RAP® Cable binder with steel lug lock made of corrosion-resistant, non-magnetic steel.

This technology enables the binder to offer excellent binding properties even under the most rigorous conditions such as heat, cold, humidity etc. and makes it insensitive to vibrations and external influences.

Material

- halogen-free
- silicone-free

Polyamide 6.6

Technical data

Temperature range: -40°C to +85°C
Flammability acc. to UL 94 V2

Note

Other colours and materials available on request.

UV - Stabilised standard package

| Part No Black | Type T&B | Length mm | Width mm | Bundle ø mm | Load capacity N | Unit Std Pkt |
|---------------|------------|-----------|----------|-------------|-----------------|--------------|
| 91050 | TY 5-23MX | 92.0 | 2.4 | 16.0 | 80.0 | 100 |
| 91054 | TY 5-232MX | 200.0 | 2.4 | 50.0 | 80.0 | 100 |
| 91057 | TY 5-234MX | 356.0 | 2.4 | 102.0 | 80.0 | 100 |
| 91060 | TY 5-24MX | 140.0 | 3.6 | 29.0 | 180.0 | 100 |
| 91063 | TY 5-242MX | 208.0 | 3.6 | 50.0 | 180.0 | 100 |
| 91066 | TY 5-26MX | 281.0 | 3.6 | 76.0 | 180.0 | 100 |
| 91069 | TY 5-244MX | 368.0 | 3.6 | 103.0 | 180.0 | 100 |
| 91072 | TY 5-25MX | 186.0 | 4.8 | 45.0 | 220.0 | 100 |
| 91075 | TY 5-253MX | 293.0 | 4.8 | 78.0 | 220.0 | 100 |
| 91078 | TY 5-28MX | 360.0 | 4.8 | 102.0 | 220.0 | 100 |
| 91081 | TY 5-272MX | 203.0 | 7.0 | 50.0 | 540.0 | 50 |
| 91084 | TY 5-27MX | 338.0 | 7.0 | 90.0 | 540.0 | 50 |
| 91087 | TY 5-29MX | 762.0 | 7.0 | 229.0 | 540.0 | 50 |

UV - Stabilised bulk package

| Part No Black | Type T&B | Length mm | Width mm | Bundle ø mm | Load capacity N | Unit Bulk Pkt |
|---------------|----------|-----------|----------|-------------|-----------------|---------------|
| 91052 | TY 23MX | 92.0 | 2.4 | 16.0 | 80.0 | 1000 |
| 91056 | TY 232MX | 200.0 | 2.4 | 50.0 | 80.0 | 1000 |
| 91059 | TY 234MX | 356.0 | 2.4 | 102.0 | 80.0 | 1000 |
| 91062 | TY 24MX | 140.0 | 3.6 | 29.0 | 180.0 | 1000 |
| 91065 | TY 242MX | 208.0 | 3.6 | 50.0 | 180.0 | 1000 |
| 91068 | TY 26MX | 281.0 | 3.6 | 76.0 | 180.0 | 1000 |
| 91071 | TY 244MX | 368.0 | 3.6 | 103.0 | 180.0 | 1000 |
| 91074 | TY 25MX | 186.0 | 4.8 | 45.0 | 220.0 | 1000 |
| 91077 | TY 253MX | 293.0 | 4.8 | 78.0 | 220.0 | 1000 |
| 91080 | TY 28MX | 360.0 | 4.8 | 102.0 | 220.0 | 1000 |
| 91086 | TY 27MX | 203.0 | 7.0 | 90.0 | 540.0 | 500 |
| 91083 | TY 272MX | 338.0 | 7.0 | 50.0 | 540.0 | 500 |
| 91089 | TY 29MX | 762.0 | 7.0 | 229.0 | 540.0 | 500 |

cable tie type standard

with plastic lug lock



Cable ties

One piece cable ties offer an economical alternative made from quality nylon 6/6 (natural or UV stabilised black). designed for use where ever you need to bundle wire cable or pipe.

Material

Polyamide 6.6

Technical data

Temperature range: -40°C to + 85°C
Black UV stabilised

6

Standard Cable Ties - small package

| Part No Transparent | Part No Black | Length mm | Width mm | Bundle ø mm | Load capacity N | Unit Std Pkt |
|------------------------|------------------|--------------|-------------|----------------|--------------------|-----------------|
| 91121 | 90130 | 104 | 2.4 | 19 | 80.0 | 100 |
| 91122 | 90131 | 168 | 2.4 | 40 | 80.0 | 100 |
| 91123 | 90132 | 150 | 3.6 | 32 | 180.0 | 100 |
| 91124 | 90133 | 182 | 4.8 | 44 | 220.0 | 100 |
| 91125 | 90134 | 204 | 2.4 | 50 | 80.0 | 100 |
| 91130 | 90137 | 206 | 3.6 | 50 | 180.0 | 100 |
| 91074 | 90136 | 280 | 7.6 | 76 | 540.0 | 100 |
| 90158 | 90148 | 304 | 3.6 | 76 | 180.0 | 100 |
| 90159 | 90149 | 307 | 4.8 | 76 | 220.0 | 100 |
| 96491 | 96492 | 370 | 4.8 | 101 | 220.0 | 100 |
| 97219 | 97223 | 380 | 7.6 | 101 | 540.0 | 100 |
| 97220 | 97224 | 430 | 4.8 | 120 | 220.0 | 100 |

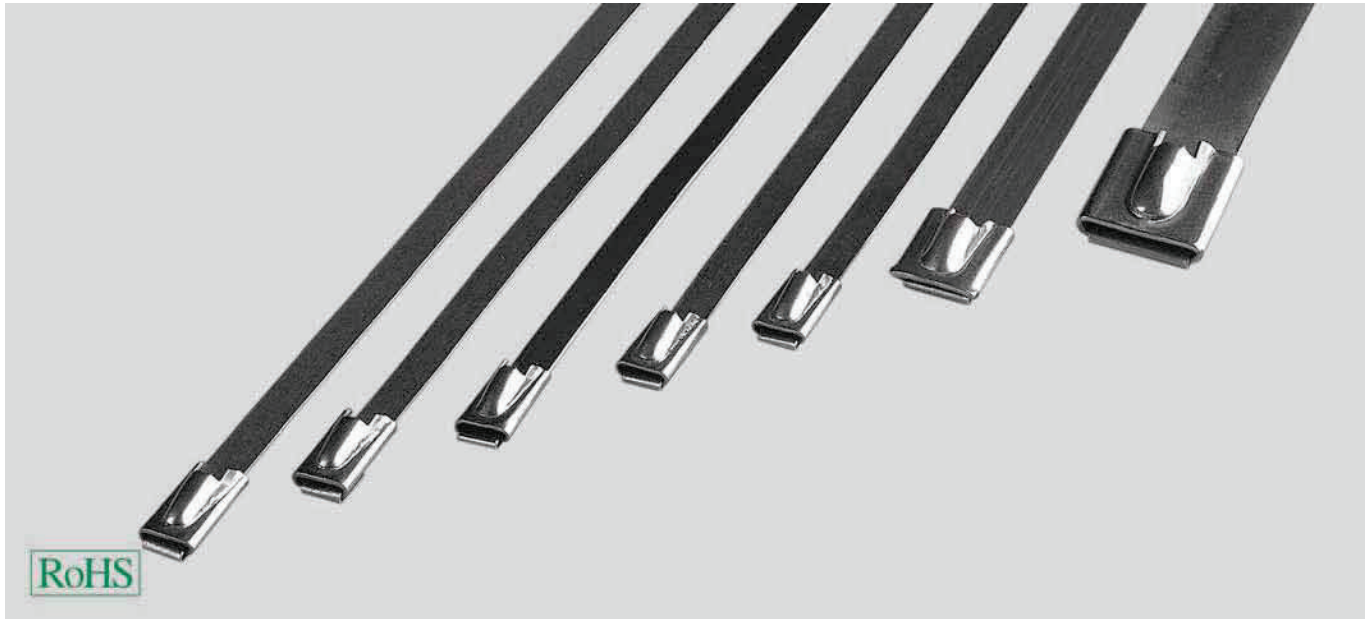
Standard Cable Ties - bulk package

| Part No Transparent | Part No Black | Length mm | Width mm | Bundle ø mm | Load capacity N | Unit Bulk Pkt |
|------------------------|------------------|--------------|-------------|----------------|--------------------|------------------|
| 91121B | 90130B | 104 | 2.4 | 19 | 80.0 | 1000 |
| 91122B | 90131B | 168 | 2.4 | 40 | 80.0 | 1000 |
| 91123B | 90132B | 150 | 3.6 | 32 | 180.0 | 1000 |
| 91124B | 90133B | 182 | 4.8 | 44 | 220.0 | 1000 |
| 91125B | 90134B | 204 | 2.4 | 50 | 80.0 | 1000 |
| 91130B | 90137B | 206 | 3.6 | 50 | 180.0 | 1000 |
| 91074B | 90136B | 280 | 7.6 | 76 | 540.0 | 500 |
| 90158B | 90148B | 304 | 3.6 | 76 | 180.0 | 1000 |
| 90159B | 90149B | 307 | 4.8 | 76 | 220.0 | 1000 |
| 96491B | 96492B | 370 | 4.8 | 101 | 220.0 | 1000 |
| 97219B | 97223B | 380 | 7.6 | 101 | 540.0 | 500 |
| 97220B | 97224B | 430 | 4.8 | 120 | 220.0 | 100 |

cable tie type E



stainless steel



Cable binder

Cable binders made of stainless steel with ball lock for use in extreme conditions, such as high temperatures, aggressive environment, high tensile load.

Material

Stainless steel 316

Properties

Corrosion and radiation resistant, anti-magnetic, resistant to high temperatures and aggressive chemicals

Technical data

Temperature range: -80°C to +538°C

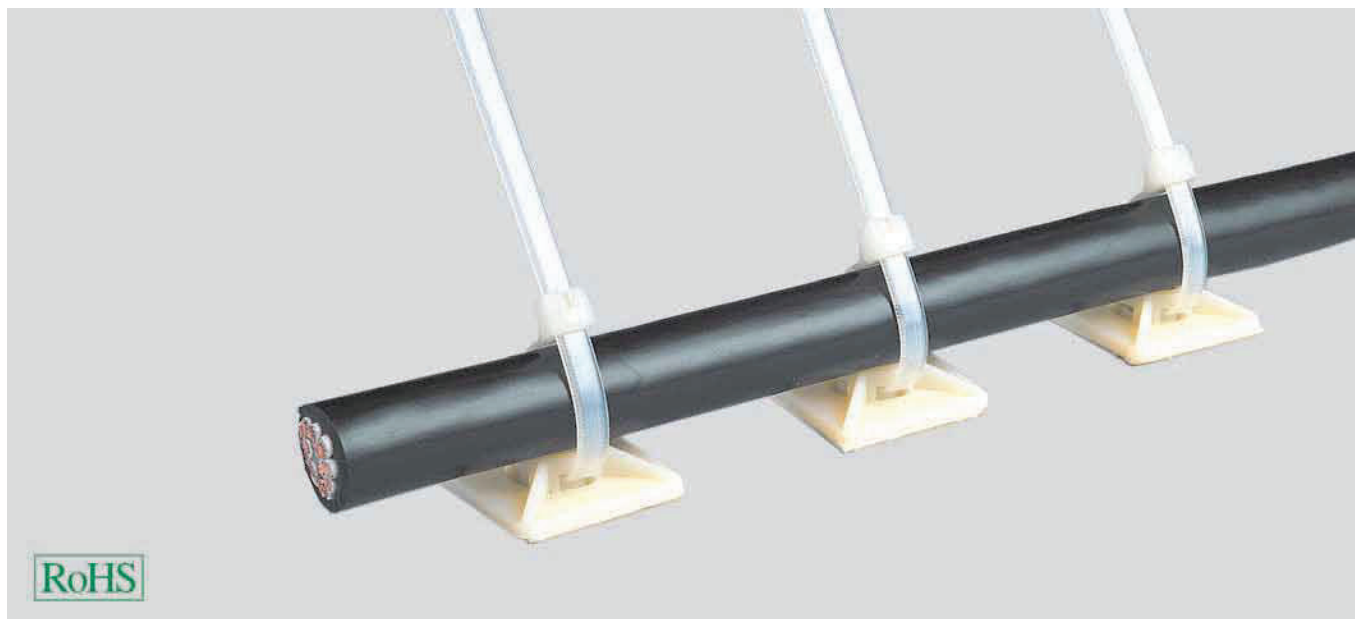
Note

Approvals: GL, DNV, Lloyd's, UL

Stainless Steel Ties

| Part No | Length mm | Width mm | Bundle ø mm | Load capacity N | Unit Std Pkt |
|--------------|-----------|----------|-------------|-----------------|--------------|
| TACT46-100E | 100 | 4.6 | 16 | 450 | 100 |
| TACT46-150E | 150 | 4.6 | 32 | 450 | 100 |
| TACT46-200E | 200 | 4.6 | 51 | 450 | 100 |
| TACT46-360E | 360 | 4.6 | 102 | 450 | 100 |
| TACT46-520E | 520 | 4.6 | 152 | 450 | 100 |
| TACT46-680E | 680 | 4.6 | 203 | 450 | 100 |
| TACT46-840E | 840 | 4.6 | 254 | 450 | 100 |
| TACT46-1000E | 1000 | 4.6 | 300 | 450 | 100 |
| TACT79-100E | 100 | 7.9 | 16 | 1130 | 100 |
| TACT79-150E | 150 | 7.9 | 32 | 1130 | 100 |
| TACT79-200E | 200 | 7.9 | 51 | 1130 | 100 |
| TACT79-360E | 360 | 7.9 | 102 | 1130 | 100 |
| TACT79-520E | 520 | 7.9 | 152 | 1130 | 100 |
| TACT79-680E | 680 | 7.9 | 203 | 1130 | 100 |
| TACT79-840E | 840 | 7.9 | 254 | 1130 | 100 |
| TACT79-1010E | 1010 | 7.9 | 318 | 1130 | 100 |
| TACT79-1200E | 1200 | 7.9 | 370 | 1130 | 100 |
| TACT79-1300E | 1300 | 7.9 | 400 | 1130 | 100 |
| TACT79-1400E | 1400 | 7.9 | 435 | 1130 | 100 |

Mounting block BS



BS

BS mounting base for installing cables, lines, tubes and pipes. The combination with cable binders makes for simple handling.

Application

Plant and machine construction Robot construction Automation technology Vehicle construction and shipbuilding Rail technology Installation technology Control cabinet construction

Material

Polyamide 6.6
Colour: transparent

Technical data

Temperature range: -55°C to +85°C

Note

Foamed self-adhesive foil adheres to smooth and grease-free surfaces and smooths out slightly uneven surfaces.

6

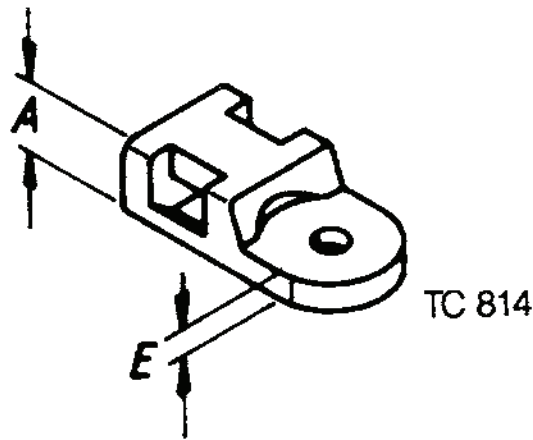
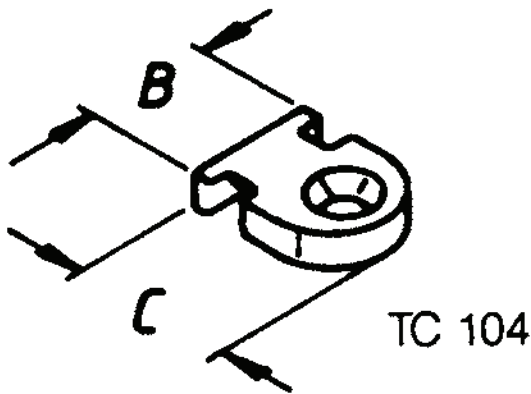
Transparent Mounting Bases

| Part No Transparent | Type | Size L x W | Cable Tie Max width mm | Load capacity N | Unit Qty |
|------------------------|------|---------------|---------------------------|--------------------|-------------|
| 91090 | BS 1 | 20,0 x 20,0 | 4.0 | 25.0 | 100 |
| 91091 | BS 2 | 28,0 x 28,0 | 5.0 | 49.0 | 100 |

Black Mounting Bases

| Part No Black | Type | Size L x W | Cable Tie Max width mm | Load capacity N | Unit Qty |
|------------------|------|---------------|---------------------------|--------------------|-------------|
| 91092 | BS 1 | 20,0 x 20,0 | 4.0 | 25.0 | 100 |
| 91093 | BS 2 | 28,0 x 28,0 | 5.0 | 49.0 | 100 |

Mounting block TC



TC for band fastening

Small base for band fastening with countersunk screws, cylinder bolts or rivet assembly.

Material

Polyamide 6.6
Colour: transparent

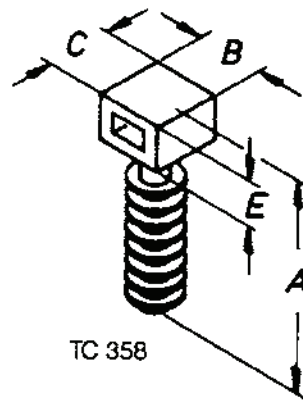
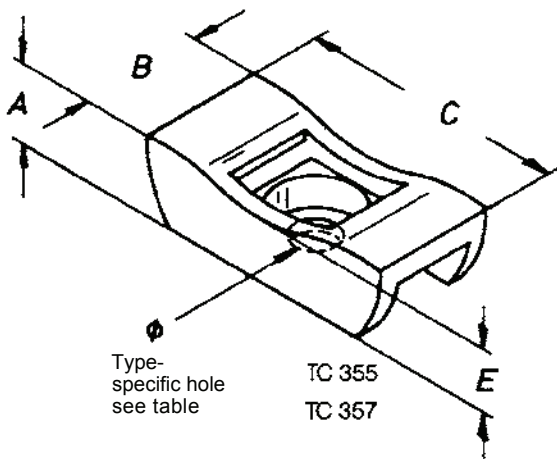
Technical data

Temperature range: -40°C to +85°C

small socket for screwing / for revetting

| Part No Black | Type | Fixing | A mm | B mm | C mm | D mm | E mm | F mm | Boring mm | Tie Width max | Unit |
|---------------|--------|----------|------|------|------|------|------|------|-----------|---------------|------|
| 91039 | TC 102 | Screw-in | 3.2 | 13.0 | 19.0 | - | - | - | 4.2 | 4.8 | 100 |
| 91040 | TC 104 | Screw-in | 2.5 | 8.0 | 10.0 | - | - | - | 3.2 | 2.4 | 100 |
| 91041 | TC 112 | Screw-in | 5.0 | 10.0 | 19.0 | - | 2.0 | - | 4.2 | 4.8 | 100 |
| 91042 | TC 812 | Screw-in | 5.0 | 10.0 | 19.0 | - | 2.0 | - | 4.8 | 4.8 | 100 |
| 91043 | TC 814 | Screw-in | 5.0 | 10.0 | 19.0 | - | 2.0 | - | 3.2 | 4.8 | 100 |

6



TC as mounting base

Mounting base for robust fastening of lines, pipes and tubes - outdoor applications included.

Material

Polyamide 6.6
Colour: black

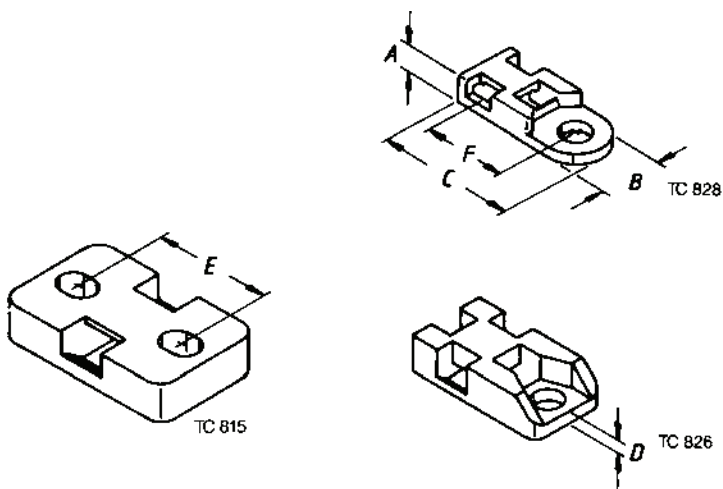
Technical data

Temperature range: -40°C to +85°C

for screwing / for doweling

| Part No Black | Type | Fixing | A mm | B mm | C mm | D mm | E mm | F mm | Boring mm | Tie Width max | Unit |
|---------------|--------|----------------------------|------|------|------|------|------|------|-----------|---------------|------|
| 91046 | TC 355 | Screw-in | 16.0 | 19.1 | 44.0 | - | 11.0 | - | 4.3 | 12.7 | 25 |
| 91047 | TC 357 | Screw-in | 16.0 | 19.1 | 44.0 | - | 11.0 | - | 6.6 | 12.7 | 100 |
| 91048 | TC 358 | For fastening with anchors | 31.0 | 10.0 | 10.0 | - | 7.0 | - | 6.0 | 4.8 | 100 |

Mounting block TC



TC as screw base

Mounting base for bolting or riveting. Cable binder can be inserted from 4 sides.

Material

Polyamide 6.6
Colour: transparent

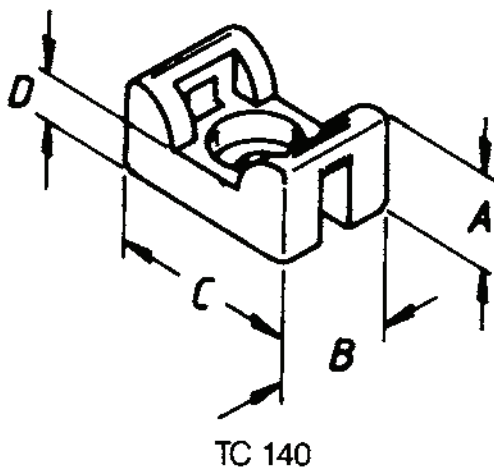
Technical data

Temperature range: -40°C to +85°C

screwing socket

| Part No | Type | Fixing | A mm | B mm | C mm | D mm | E mm | F mm | Boring mm | Tie Width max | Unit |
|---------|--------|----------|------|------|------|------|------|------|-----------|---------------|------|
| 93007 | TC 815 | Screw-in | 6.4 | 19.0 | 32.0 | - | 18.5 | - | 4.8 | 7.6 | 100 |
| 93044 | TC 826 | Screw-in | 5.7 | 13.0 | 24.0 | - | - | - | 4.2 | 4.8 | 100 |
| 93045 | TC 827 | Screw-in | 3.8 | 10.0 | 23.0 | - | - | - | 4.2 | 4.8 | 100 |

6



TC 140

TC with saddle

Mounting base with support saddle.

Material

Polyamide 6.6
Colour: transparent

Technical data

Temperature range: -40°C to +85°C

with saddle

| Part No | Type | Fixing | A mm | B mm | C mm | D mm | E mm | F mm | Boring mm | Tie Width max | Unit |
|---------|--------|----------|------|------|------|------|------|------|-----------|---------------|------|
| 93005 | TC 140 | Screw-in | 7.0 | 8.7 | 14.2 | 3.6 | - | - | 2.8 | 2.4 | 100 |
| 93003 | TC 141 | Screw-in | 8.2 | 11.1 | 17.0 | 4.0 | - | - | 3.5 | 4.8 | 100 |
| 93004 | TC 142 | Screw-in | 11.0 | 14.2 | 23.4 | 5.2 | - | - | 5.2 | 7.6 | 100 |