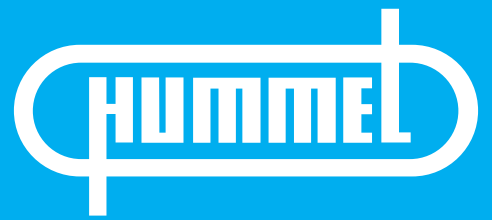


**NEW!**  
EN 60079-0:2012



Setting Standards

## HSK-K-Ex-Active



Cable gland for hazardous areas made of polyamide **according to the latest standards**





## HSK-K-Ex-Active

### Advantages at a glance:



- + Halogen-free
- + Flame rating V0 according to UL 94
- + Protection IP 68 – 10 bar according to DIN EN 60529
- + Anti-vibration protection dome nut
- + Wide clamping range
- + Applicable up to +85°C (185°F)
- + Abrasion resistant labeling
- + O-Ring as standard
- + Applicable in zone 1 and zone 20
- + No additional mechanical protection of the gland necessary

## HSK-K-Ex-Active

### Overlapping clamping splines

avoid tearing out the gland seal and ensure an extremely high integrated strain-relief

### Form seal

for more reliable liquid tight protection class IP 68 up to 10 bar

### HUMMEL acme screw thread

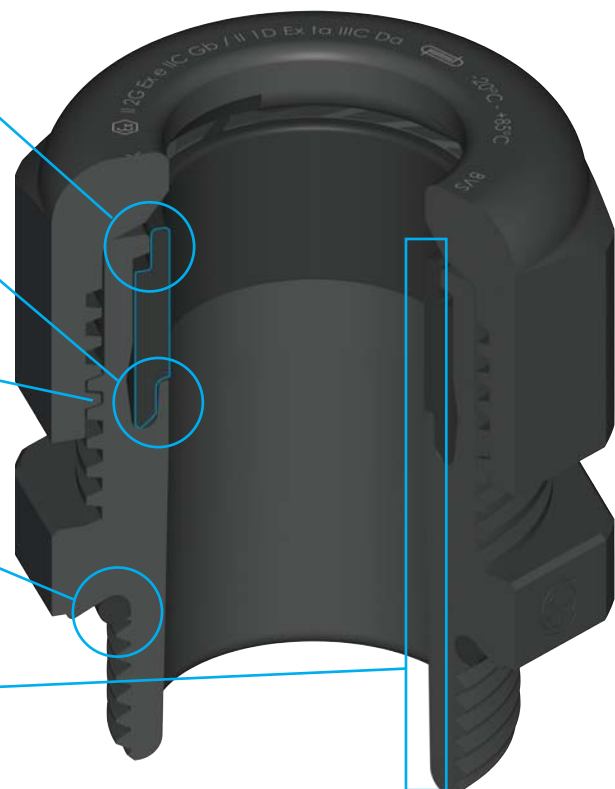
for dependable transmission of force between dome nut and gland body

### Molded O-Ring groove

results in a reliable tightening between gland body and installation

### Smooth internal shape

for easy assembling and ideal protection of the cable sheath



The HSK-K-Ex-Active has been developed to meet the stringent requirements of EN 60079-0:2012. The cable gland, made of special formulated Fibreglass reinforced polyamide, combines all features of the established HSK-K-Ex series and the latest approvals according to ATEX and IECEx.

The HSK-K-Ex-Active has been designed for applications in electrical equipment, which require types of protection Ex e and Ex ta according to the latest standards EN 60079-0, 60079-7 and 60079-31.

- Zones 1, 2, 20, 21, 22
- Sizes: M 12 – M 63,  
NPT 3/8" – NPT 1 1/2"
- Temperature Range: -20° C – 85° C (-4° F – 185° F)
- EC-Type Examination Certificate:  
BVS 14 ATEX E 025 X
- IECEx Certificate of Conformity:  
IECEx BVS 14.0020X
- Marking:  
II 2G Ex e IIC Gb  
II 1D Ex ta IIIC Da
- According to the latest EN Standards:
 

EN 60079-0:2012	IEC 60079-0:2011
EN 60079-7:2007	IEC 60079-7:2007
EN 60079-31:2009	IEC 60079-31:2008

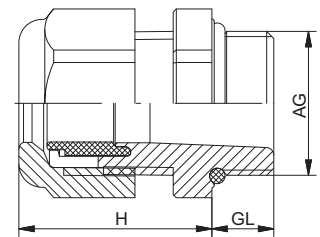


Find assembly instructions and certificates at  
[www.hummel.com](http://www.hummel.com)

## Technical Information



<b>Material</b>	Fibreglass reinforced polyamide V0 according to UL 94
<b>Seal / O-Ring</b>	NBR
<b>Protection</b>	IP 68 – 10 bar within the specified clamping range
<b>Operating Temperature</b>	-20 °C – 85 °C (-4° F – 185° F)
<b>Color</b>	black



AG	∅ mm	 mm	H mm	GL mm	Number metr.	GL mm elongated	Number metr. elongated
M 12 x 1,5	3 – 6,5	15	21	8	1.292.1201.50	15	1.292.1201.30
M 12 x 1,5	2 – 5	15	21	8	1.292.1201.51	15	1.292.1201.31
M 16 x 1,5	4 – 8	19	22	8	1.292.1601.50	15	1.292.1601.30
M 16 x 1,5	3 – 6	19	22	8	1.292.1601.51	15	1.292.1601.31
M 16 x 1,5	5 – 10	22	25	8	1.292.1611.50	15	1.292.1611.30
M 16 x 1,5	3 – 7	22	25	8	1.292.1611.51	15	1.292.1611.31
M 20 x 1,5	6 – 12	24	27	9	1.292.2001.50	15	1.292.2001.30
M 20 x 1,5	5 – 9	24	27	9	1.292.2001.51	15	1.292.2001.31
M 20 x 1,5	10 – 14	27	28	9	1.292.2016.50	15	1.292.2016.30
M 20 x 1,5	7 – 12	27	28	9	1.292.2016.51	15	1.292.2016.31
M 25 x 1,5	13 – 18	33	31	11	1.292.2501.50	15	1.292.2501.30
M 25 x 1,5	9 – 16	33	31	11	1.292.2501.51	15	1.292.2501.31
M 32 x 1,5	18 – 25	42	39	11	1.292.3201.50	15	1.292.3201.30
M 32 x 1,5	13 – 20	42	39	11	1.292.3201.51	15	1.292.3201.31
M 40 x 1,5	22 – 32	53	48	13	1.292.4001.50	18	1.292.4001.30
M 40 x 1,5	20 – 26	53	48	13	1.292.4001.51	18	1.292.4001.31
M 50 x 1,5	32 – 38	60	49	13	1.292.5001.50	18	1.292.5001.30
M 50 x 1,5	25 – 31	60	49	13	1.292.5001.51	18	1.292.5001.31
M 63 x 1,5	37 – 44	65 / 68	49	14	1.292.6301.50	18	1.292.6301.30
M 63 x 1,5	29 – 35	65 / 68	49	14	1.292.6301.51	18	1.292.6301.31

### NPT

NPT 3/8"	4 – 8	19 / 22	22	15	1.292.3801.70
NPT 3/8"	2 – 6	19 / 22	22	15	1.292.3801.71
NPT 1/2"	6 – 12	24	27	13	1.292.1201.70
NPT 1/2"	5 – 9	24	27	13	1.292.1201.71
NPT 1/2" (16)	10 – 14	27	28	13	1.292.1216.70
NPT 1/2" (16)	7 – 12	27	28	13	1.292.1216.71
NPT 3/4"	13 – 18	33	31	14	1.292.3401.70
NPT 3/4"	9 – 16	33	31	14	1.292.3401.71
NPT 1"	18 – 25	42	39	19	1.292.1001.70
NPT 1"	13 – 20	42	39	19	1.292.1001.71
NPT 1 1/4"	18 – 25	42 / 46	39	16	1.292.5401.70
NPT 1 1/4"	13 – 20	42 / 46	39	16	1.292.5401.71
NPT 1 1/2"	22 – 32	53	48	20	1.292.6401.70
NPT 1 1/2"	20 – 26	53	48	20	1.292.6401.71

### HUMMEL AG

Lise-Meitner-Straße 2  
79211 Denzlingen  
Germany  
[www.hummel.com](http://www.hummel.com)

Tel. +49 (0) 76 66 / 9 11 10-0  
Fax +49 (0) 76 66 / 9 11 10-20  
E-Mail [info.et@hummel.com](mailto:info.et@hummel.com)

