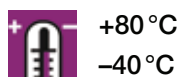


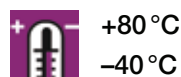
xiros® ESTM-pillow block bearing – rigid



Made of xirodur® B180
and igumid G
PA cage
glass balls



Made of xirodur® B180
and igumid G
PA cage
stainless steel balls



xiros® pillow block bearings with glass or stainless steel balls are a combination of xiros® polymer ball bearings and igubal® housings.

- Low weight
- Totally corrosion-resistant
- Lubrication- and maintenance-free
- Washable and non-magnetic
- Service life prediction on request
- Compact design
- Electrically insulating

Dimensions [mm]

Part number*	Inner-Ø	Bore-Ø	d3	h	h1	h2	a	m	C1	B	R1
	d1	d2									
ESTM-BB1-F06-B180-ES*	6	5.5	–	22	11	–	36	26	10	6	5.0
ESTM-BB1-F10-B180-ES*	10	6.6	10.6	34	17	6.4	50	37	13	8	6.5
ESTM-BB1-F20-B180-ES*	20	9.0	14.0	48	24	8.06	72	54	18	12	9.0
ESTM-BB1-F06-B180-GL*	6	5.5	–	22	11	–	36	26	10	6	5.0
ESTM-BB1-F10-B180-GL*	10	6.6	10.6	34	17	6.4	50	37	13	8	6.5
ESTM-BB1-F20-B180-GL*	20	9.0	14.0	48	24	8.06	72	54	18	12	9.0

Technical Data

Part number*	Max. static bearing load	Static bearing load	Dynamic bearing load	Max. speed	Weight
	axial [N]	[N]	[N]	[rpm]	[g]
ESTM-BB1-F06-B180-ES*	95	50	70	2,600	7.7
ESTM-BB1-F10-B180-ES*	285	85	119	1,900	20.2
ESTM-BB1-F20-B180-ES*	400	210	294	1,150	54.1
ESTM-BB1-F06-B180-GL*	95	50	70	2,600	6.7
ESTM-BB1-F10-B180-GL*	285	85	119	1,900	18.2
ESTM-BB1-F20-B180-GL*	400	210	294	1,150	47.7

* Temperatures up to +120 °C: ESTM-BB1-...-A500-... on request



Order key

ESTM-BB1-F06-B180-ES



Ball material

ES = stainless steel

GL = glass

Temperature resistance

xirodur® B180 = up to +80 °C

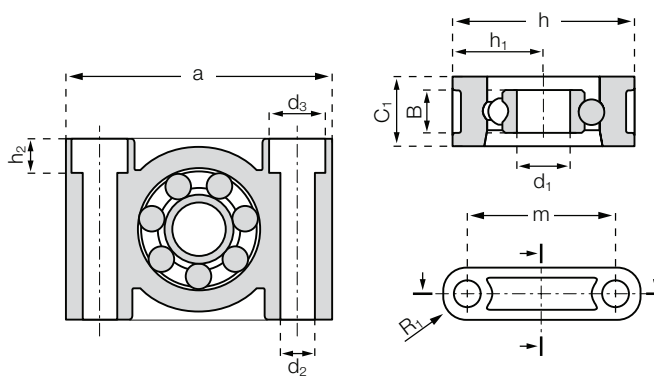
xirodur® A500 = up to +120 °C

Inner-Ø

Rigid

Ball bearing, single-row

Pillow block bearing



delivery from stock
time

prices price list online
www.igus.eu/eu/ESTM-BB1-F

xiros® Pillow Block Bearings | Product Range

xiros® ESTM-pillow block bearing – pivoting



Made of xirodur® B180
and igumid G
RN56, PA cage
glass balls



+80 °C
-40 °C



Made of xirodur® B180
and igumid G
RN56, PA cage
stainless steel balls



+80 °C
-40 °C

Besides the rigid option, the pivoting option enables the compensation of misalignments.



Order key

ESTM-BB1-P08-B180-ES



Ball material

ES = stainless steel

GL = glass

Temperature resistance

xirodur® B180 = up to +80 °C

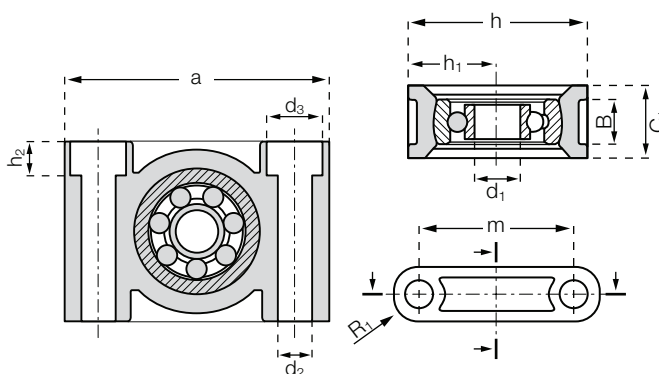
xirodur® A500 = up to +120 °C

Inner-Ø

Pivoting

Ball bearing, single-row

Pillow block bearing



Dimensions [mm]

Part number*	Inner-Ø d1	Bore-Ø d2	d3	h	h1	h2	a	m	C1	B	R1	Max. pivoting angle
ESTM-BB1-P08-B180-ES*	8	6.6	10.6	34	17	6.4	50	37	13	7	6.5	±5°
ESTM-BB1-P10-B180-ES*	10	9.0	14.0	40	20	8.6	62	46	16	8	8	±5°
ESTM-BB1-P12-B180-ES*	12	9.0	14.0	48	24	8.6	72	54	18	10	9	±5°
ESTM-BB1-P08-B180-GL*	8	6.6	10.6	34	17	6.4	50	37	13	7	6.5	±5°
ESTM-BB1-P10-B180-GL*	10	9.0	14.0	40	20	8.6	62	46	16	8	8	±5°
ESTM-BB1-P12-B180-GL*	12	9.0	14.0	48	24	8.6	72	54	18	10	9	±5°

Technical Data

Part number*	Max. static bearing load axial [N]	Static bearing load [N]	Dynamic bearing load [N]	Max. speed [rpm]	Weight [g]
ESTM-BB1-P08-B180-ES*	165	60	84	2,200	19.6
ESTM-BB1-P10-B180-ES*	285	85	119	1,900	32.9
ESTM-BB1-P12-B180-ES*	315	105	147	1,750	54.8
ESTM-BB1-P08-B180-GL*	165	60	84	2,200	18.2
ESTM-BB1-P10-B180-GL*	285	85	119	1,900	30.3
ESTM-BB1-P12-B180-GL*	315	105	147	1,750	52.8

* Temperatures up to +120 °C: ESTM-BB1-...-A500-... on request

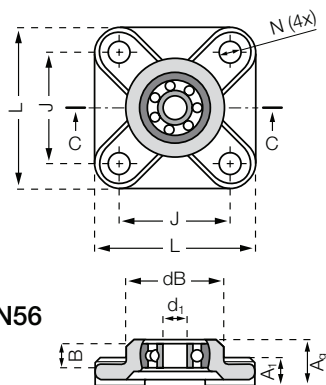


delivery from stock
time



prices price list online
www.igus.eu/eu/ESTM-BB1-P

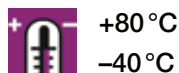
4-hole flange bearing



Made of xirodur® B180, RN56
and igumid G

PA cage

glass/stainless steel balls



+80 °C

-40 °C



Order key

EFSM-BB1-P08-B180-ES



Ball material

ES = stainless steel

GL = glass

Temperature resistance

xirodur® B180 = up to +80 °C

xirodur® A500 = up to +120 °C

Inner-Ø

Pivoting

Ball bearing, single-row

4-holes flange bearing

xiros® flange bearings with glass or stainless steel balls are also a combination of xiros® polymer ball bearings and igubal® housings.

The new angle-compensating xiros® polymer ball bearing was developed for the maintenance-free application in conveyor belts, cam rollers and support housings. The light, corrosion-free and anti-magnetic bearing needs no oil or grease and compensates for misalignments caused by tiltings and/or tolerances.

- Compensation of misalignments
- Very low weight
- Totally corrosion-resistant
- Lubrication- and maintenance-free
- Washable and non-magnetic
- Service life prediction on request
- Compact design
- Electrically insulating

Dimensions [mm]

Part number*	Inner-Ø d1	dB	L	J	A1	Ag	B	N	Max. pivoting angle
EFSM-BB1-P08-B180-ES*	8	32.5	52	36	9	15.5	8	6.4	±5°
EFSM-BB1-P10-B180-ES*	10	40.0	65	45	11	18.8	10	8.4	±5°
EFSM-BB1-P12-B180-ES*	12	48.0	74	52	14	23.5	12	8.4	±5°
EFSM-BB1-P08-B180-GL*	8	32.5	52	36	9	15.5	8	6.4	±5°
EFSM-BB1-P10-B180-GL*	10	40.0	65	45	11	18.8	10	8.4	±5°
EFSM-BB1-P12-B180-GL*	12	48.0	74	52	14	23.5	12	8.4	±5°

Technical Data

Part number*	Max. static bearing load axial [N]	Static bearing load [N]	Dynamic bearing load [N]	Max. speed [rpm]	Weight [g]
EFSM-BB1-P08-B180-ES*	165	60	84	2,200	25.2
EFSM-BB1-P10-B180-ES*	285	85	119	1,900	48.8
EFSM-BB1-P12-B180-ES*	315	105	147	1,750	80.0
EFSM-BB1-P08-B180-GL*	165	60	84	2,200	24.0
EFSM-BB1-P10-B180-GL*	285	85	119	1,900	46.2
EFSM-BB1-P12-B180-GL*	315	105	147	1,750	77.7

* Temperatures up to +120 °C: EFSM-BB1-...-A500-... on request



delivery from stock
time



prices price list online

www.igus.eu/eu/EFSM-BB1

xiros® Flange Bearing | Product Range

2-hole flange bearing



Made of xirodur® B180, RN56
and igumid G

PA cage

glass/stainless steel balls



+80 °C

-40 °C



Order key

EFOM-BB1-P08-B180-ES



Ball material

ES = stainless steel

GL = glass

Temperature resistance

xirodur® B180 = up to +80°C

xirodur® A500 = up to +120°C

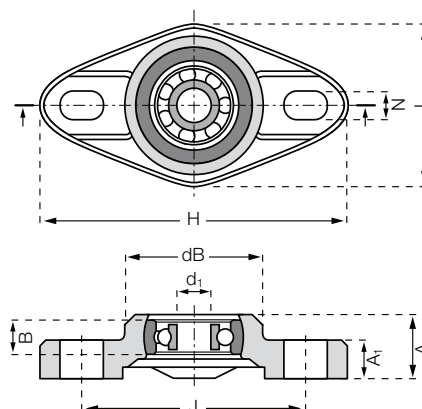
Inner-Ø

Pivoting

Ball bearing, single-row

2-holes flange bearing

In comparison to the four-hole flange bearing, the 2-hole design offers another possibility of adjustment due to the elongated holes. Alignment errors are compensated by the pivoting ball so that a tedious precise alignment of the bearings is usually not necessary.



Dimensions [mm]

Part number*	Inner-Ø d1	dB	H	L	J	A1	Ag	B	N	Max. pivoting angle
EFOM-BB1-P08-B180-ES*	8	32.5	72.6	38	53	10	15.5	8	6.4x10.1	±5°
EFOM-BB1-P10-B180-ES*	10	40.0	89.0	47	65	11	18.8	10	8.4x12.5	±5°
EFOM-BB1-P12-B180-ES*	12	48.5	101.0	58.5	75	14	23.5	12	8.4x12.5	±5°
EFOM-BB1-P08-B180-GL*	8	32.5	72.6	38	53	10	15.5	8	6.4x10.1	±5°
EFOM-BB1-P10-B180-GL*	10	40.0	89.0	47	65	11	18.8	10	8.4x12.5	±5°
EFOM-BB1-P12-B180-GL*	12	48.5	101.0	58.5	75	14	23.5	12	8.4x12.5	±5°

Technical Data

Part number*	Max. static bearing load axial [N]	Static bearing load [N]	Dynamic bearing load [N]	Max. speed [rpm]	Weight [g]
EFOM-BB1-P08-B180-ES*	165	60	84	2,200	19.5
EFOM-BB1-P10-B180-ES*	285	85	119	1,900	36.3
EFOM-BB1-P12-B180-ES*	315	105	147	1,750	61.7
EFOM-BB1-P08-B180-GL*	165	60	84	2,200	18.1
EFOM-BB1-P10-B180-GL*	285	85	119	1,900	33.6
EFOM-BB1-P12-B180-GL*	315	105	147	1,750	59.4

* Temperatures up to +120°C: EFOM-BB1-...-A500-... on request



delivery from stock
time

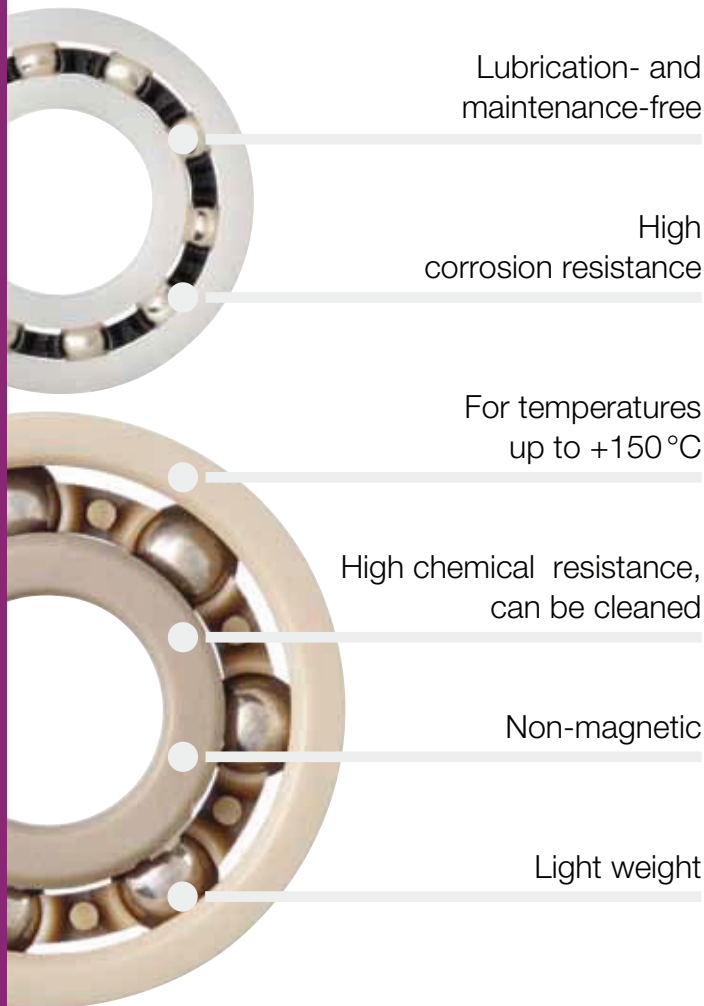


prices price list online

www.igus.eu/eu/EFOM-BB1

xiros® Polymer Ball Bearings

xiros® polymer ball bearings revolutionize the market. Due to the maintenance-free dry-running and the use of xirodur® high performance polymers successfully solve many applications where conventional metal ball bearings are not effective.



Lubrication- and maintenance-free

High corrosion resistance

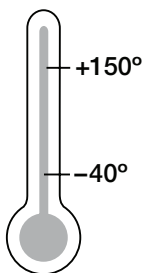
For temperatures up to +150 °C

High chemical resistance, can be cleaned

Non-magnetic

Light weight

Temperature



Product range

5 materials
10 product types



When to use xiros® polymer ball bearings?

- If you need lubrication-free ball bearings
- For maintenance-free dry-running
- At rotational speeds that exceed the limits of a plain bearing
- If corrosion resistance is required
- If temperatures are reached up to +150 °C (depending on type)
- If chemical resistance and cleaning is necessary
- If non-magnetics ball bearings are to be used
- Low weight requirement
- When they need for FDA compliance



When not to use xiros® polymer ball bearings?

- At very high loads or speeds
- Just for a cost down on traditional metal ball bearings
- At very high precision requirements (clearance)



General order key for radial ball bearings

BB-623-A500-10-ES

Ball material

GL = glass
ES = stainless steel
PAI

Cage material

10 = PA
20 = PP
70 = PEEK

Race material

xirodur® A500, xirodur® B180,
xirodur® C160, xirodur®
D180, xirodur® F180

Dimensions acc. to DIN 625-1

Ball bearing



xiros® Polymer Ball Bearings

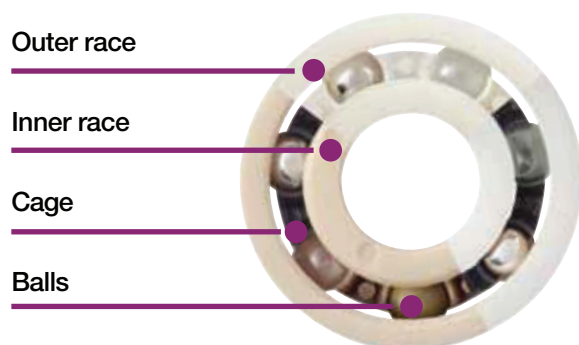
The product range of xiros® polymer ball bearing comprises a variety of different product groups. All have in common that they do not require any additional lubrication. This provides significant advantages in areas where lubricants can be washed out, or could decompose due to the operational environment. Other advantages are (depending on the design):

- Maintenance-free
- Light weight
- Free from metal (due to the use of glass and plastic balls)
- Non-magnetic
- Chemical resistant
- Corrosion resistant
- Electrically insulating
- FDA-compliant (► [page 693](#))
- Predictable lifetime

This last point, the predictability of xiros® polymer ball bearing is one of the most important advantages. Based on the results of many wear tests, the user can calculate the lifetime of the xiros® polymer ball bearing reliably and interpret the application (xiros® expert ► [page 687](#)).

Design

The xiros® polymer ball bearings are single-row grooved ball bearings based on DIN 625. The lubricant-free and maintenance-free ball bearings consist of four components:



The Outer- and Inner Race

The suitability of a xiros® polymer ball bearings is largely determined by the materials of the two races. These are made from igus® tribopolymers to maximize service life and minimize friction. You can choose from five different materials. They allow different values of application

temperature, chemical resistance and price. The table with material data (► [page 684](#)) gives exact information.

The Cage

The material of the ball bearing cage must fit well to the application. These materials are very different regard to chemical resistance and temperature. As part of the delivery program of xiros® polymer ball bearings the cage are already great with the materials of the outer and inner rings.

The Balls

The ball materials differ most significantly. In addition to steel glass or plastics are used. This produces a large difference in mass, which in turn affects smoothness, weight and chemical resistance.

Steelballs (stainless steel) are cost-effective, chemical resistant, but with the highest weight.

Glass balls used to give a metal-free solution. They are also very resistant to chemicals and have an average weight.

Polymer balls have significant advantages in weight, size and in the quiete rinning characteristics. Depending on the polymer plastic balls they can have excellent chemical resistance.

Pillow Block and Flange Bearings

This range is made up by combining xiros® polymer ball bearing with the igubal® pillow block and flange bearings, resulting in a higher flexibility in terms of installation of the bearings. The pre-finished bearing housing make it easy for the user to use these maintenance-free components. Both flanged and pillow block available as fixed or as a pivoting design.

The difference between the two options is that the pivoting type can compensate for shaft and/or bearing misalignment. A spherical outer race is pressed into the bearing housing, ensuring self aligning action.

xiros® Polymer Ball Bearings

Application Areas

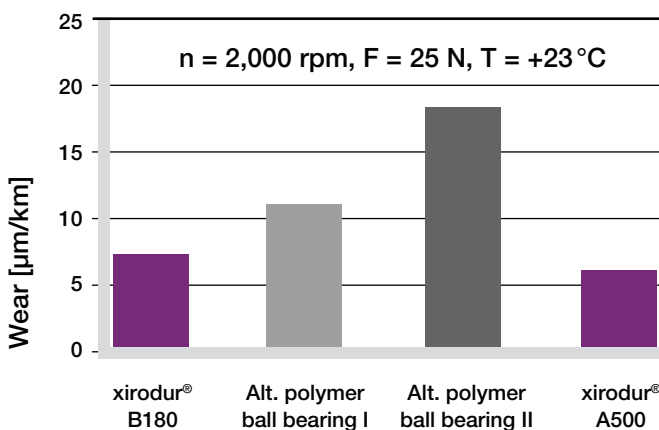
In contrast to metallic ball bearings, xiros® polymer ball bearings run without any lubrication. For this reason they are suitable for many applications which do not have extreme speeds or loads but ones which cannot use traditional greased ball bearings, as the application should run maintenance free. These areas are for example food and medical industries, packaging and textile industries, or the chemical industry and cleanroom applications as well as electronics and office technology.

Development and Tests

Through numerous tests the race materials were optimised. The polymers we have developed for use with ball bearings allow higher speeds, greater loads, and longer service life. But the development continues, we believe that polymer ball bearing technology will continue to advance, especially with our experience and development with tribological polymer materials.

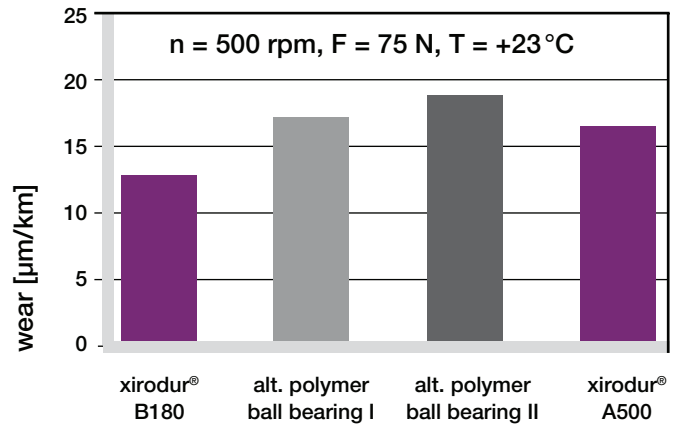
Challenge us, talk to us about your applications, tell us what you need from a plastic ball bearing.

In the igus® test laboratory the life and wear of xiros® polymer ball bearings was tested. In addition to the actual material comparison, tests indicate these experiments also answer questions about the impact of external influences such as temperature, humidity or dust.

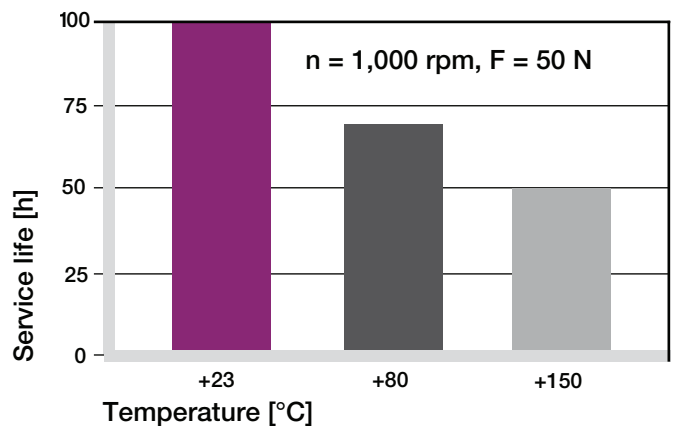


Graph 01: Wear test in igus® laboratory

The material combinations for bearing races, balls and cage are tested in the igus® test laboratory for a variety of load and speed. Thus, the application-specific selection of the suitable bearing and a Lifetime calculation is possible.



Graph 02: Wear test in igus® laboratory



Graph 03: Service life of xirodur® A500 polymer ball bearings at different ambient temperatures, dry

Predictability

As part of the development of xiros® polymer ball bearing tests are carried out continuously. The extreme number of test results make it very difficult to present this information in tabular form, and for it to actually make sense.



Picture 01: Test bench for xiros® polymer ball bearings at igus® laboratory

xiros® Polymer Ball Bearings



Picture 02: Test bench for xiros® polymer ball bearings at igus® laboratory

It is for this reason that igus has developed the online life calculator, which uses real test results to give an accurate calculation.

The lifetime-calculator is online at

► www.igus.eu/xiros-expert

Immediately after entering the data, the lifetime is calculated and displayed. It is important to remember that the result given is based on actual test results in the igus laboratory, and is therefore totally reliable.

xiros® service life prediction

Your application parameters

Installation size:

Max. speed: rpm

Working temperature: °C

Max. radial load: N

Max. axial load (only if available): N

Selection of material combinations:

Rings	Cage	Balls	FDA-compatible
A500	PEEK	Glass	-
A500	PA	Stainl.st.	-
A500	PEEK	Stainl.st.	●

Ball

Cage

Inner Ø d1 = 10 mm

Outer Ø d2 = 26 mm

Width b1 = 8 mm

xirodur® rings

Data of the selected part

Limit speed	1900 rpm
Max. static radial load	85 N
Max. dynamic radial load	119 N
Max. permitted axial load	285 N
Min. application temperature	-40 °C
Max. ambient temperature	80 °C

Limit curve

Service Life 333 h ✔

The service life refers only to the operating time. Intermittent service is not considered.

Part no.: ✔ BB-6000-B180-10-ES Pieces Price: 5,42 EUR

Add to shopping basket

Help / Contact

PDF

Graduated prices

Catalog pages

Quote request

Change to shopping cart

Picture 03: xiros® expert for calculation service life online

Material table							
General properties	Unit	xirodur® A500	xirodur® B180	xirodur® C160	xirodur® D180	xirodur® F180	igumid G
Density	g/cm ³	1,28	1,41	1,11	1,24	1,33	1,37
Colour		brown	white	opaque	blue	black	black
Max. moisture absorption at +23°C/50% r.h.	% weight	0,3	0,2	0,1	0,5	0,5	1,4
Max. water absorption	% weight	0,5	0,7	0,2	1,4	1,4	5,6
Mechanical properties							
Module of elasticity	MPa	3.600	2.500	1.900	130	975	7.800
Tensile strength at +20°C	MPa	140	68	35	n.d.	n.d.	240
Compressive strength		83	77	67	51	69	79
Electrical properties							
Specific volume resistance ¹⁾	Ωcm	> 10 ¹⁴	> 10 ¹⁴	> 10 ¹⁴	> 10 ¹⁴	> 10 ^{5-10⁹2)}	> 10 ¹¹
Surface resistance ¹⁾	Ω	> 10 ¹³	> 10 ¹⁴	> 10 ¹⁴	> 10 ¹⁴	> 10 ^{5-10⁹2)}	> 10 ¹¹
Thermal properties of xiros® polymer ball bearings							
Max. long term application temperatures	°C	+150	+80	+80	+80	+80	+120
Min. application temperatures (in combination with cage material)	°C	-100 (PEEK) -40 (PA)	-40	0	-50	-50	-40

¹⁾ only valid for xirodur® F180: the good conductivity of this material favours, under certain conditions, the corrosion generation on metallic parts

²⁾ depending on the geometry

Table 01: Material data

Medium	Resistance						
	xirodur® A500	xirodur® B180	xirodur® C160	xirodur® D180	xirodur® F180	igumid G	
Alcohol	+	+	+	+ to 0	+ to 0	+ to 0	
Hydrocarbons	+	+	+ to 0	+	+	+	
Greases, oils without additives	+	+	+	+	+	+	
Fuels	+	+	+ to 0	+	+	+	
Diluted acids	+	0 to -	+	+ to 0	+ to 0	0 to -	
Strong acids	+	-	+ to 0	0	0	-	
Diluted alkalines	+	+	+	+ to 0	+ to 0	+	
Strong alkalines	+	+ to 0	+	+ to 0	+ to 0	0	

Table 02: Chemical resistance of xiros® materials

Recommendation of tolerance for bore and shaft at xiros® radial ball bearings

By default we recommend a H7-tolerance of the housing bore of xiros® radial ball bearings and a h6-tolerance of the shaft. For further questions about the dimensioning of the bore and the shaft please contact us.

Which combination of materials is the best for my application?

Races

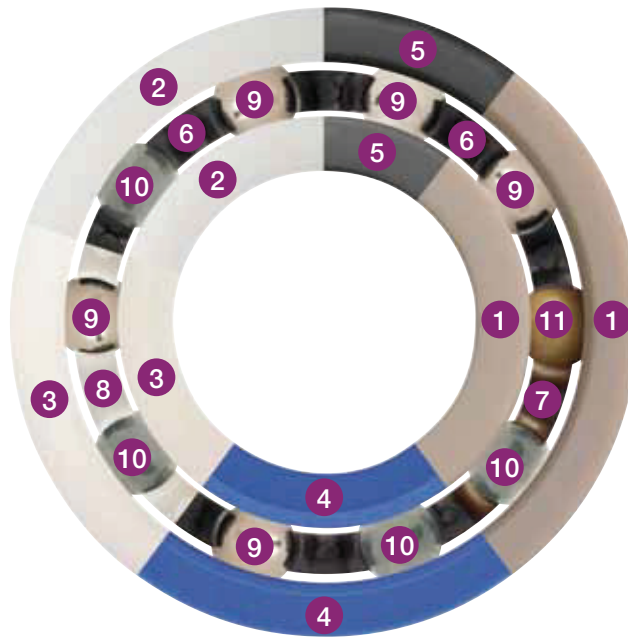
- 1 xirodur® A500
- 2 xirodur® B180
- 3 xirodur® C160
- 4 xirodur® D180
- 5 xirodur® F180

Cages

- 6 PA
- 7 PEEK
- 8 PP

Balls

- 9 Stainless steel (ES)
- 10 Glass (GL)
- 11 PAI



Material of inner-/outer races

Application sectors

Cage material

Ball material

Page

	xirodur® B180	xirodur® A500		xirodur® C160	xirodur® D180	xirodur® F180
Application sectors	For cost-effective use	At high temperatures	With chemicals, FDA and high temperatures	With chemicals, temperatures up to +80 °C and for under water use	High rotation speed	Electrically conductive, ESD protection
Cage material	PA	PA	PEEK	PP	PA	PA
Ball material	ES, GL	ES	ES, GL, PAI	ES, GL	ES, GL	ES
	Cost-effective No metal	With high temperatures	FDA compliance Chemicals Low loads	Depending on media: cost-effective Depending on media: seawater	Wear resistant Resistant to wear, chemicals and cleaning solutions	Conductive
Page	686 686	691	689 690 692	693 693	694 694	695