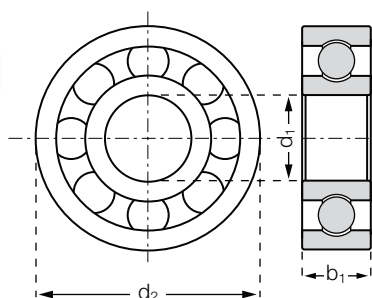


# xirodur® A500 Polymer Ball Bearings | Product Range

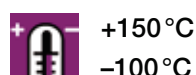
## Radial deep-groove ball bearings



Made of xirodur® A500

PEEK cage

stainless steel balls



+150°C

-100°C



## Order key

### BB-623-A500-70-ES



#### Ball material

ES = stainless steel

#### Cage material

70 = PEEK

#### Race material

A500 = xirodur® A500

#### Dimensions acc. to

DIN 625-1

#### Ball bearing

xiros® polymer ball bearings open up new application areas for plastic roller bearings. After the 2007 market launch, the life-time of the high-temperature option with xirodur® A500 inner and outer rings could be clearly raised by up to factor 5.

- Lubrication- and maintenance-free
- For high temperatures up to +150°C
- Corrosion-resistant

- Non-magnetic and washable
- Chemical resistant
- Low weight
- Inner-, outer races and cages made from FDA-compliant polymers
- Predictable lifetime
- For shaft diameter 3–20 mm
- Electrically insulating



PEEK cages, inner- and outer races made from FDA-compliant polymers

## Dimensions [mm]

Part number	Race	Cage	Ball	Inner-Ø d1	Outer-Ø d2	Width b1
BB-623-A500-70-ES	A500	PEEK	1.4401	3	10	4
BB-626-A500-70-ES	A500	PEEK	1.4401	6	19	6
BB-608-A500-70-ES	A500	PEEK	1.4401	8	22	7
BB-6000-A500-70-ES	A500	PEEK	1.4401	10	26	8
BB-6004-A500-70-ES	A500	PEEK	1.4401	20	42	12

## Technical Data

Part number	Max. static bearing load axial [N]	Static bearing load [N]	Dynamic bearing load [N]	Max. speed [rpm]	Weight [g]
BB-623-A500-70-ES	40	30	40	5,000	0.4
BB-626-A500-70-ES	125	60	81	3,200	2.3
BB-608-A500-70-ES	220	72	97	2,700	3.7
BB-6000-A500-70-ES	380	102	137	2,100	6.0
BB-6004-A500-70-ES	650	250	350	1,300	19.7

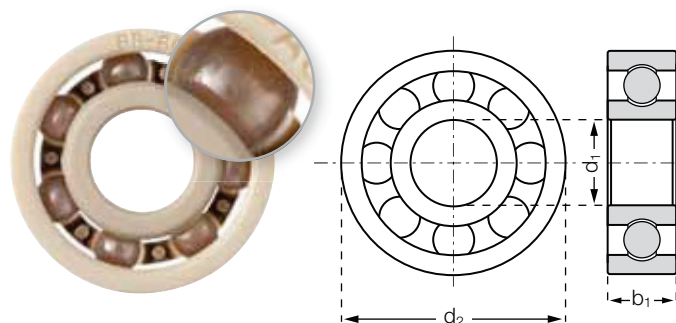


delivery from stock  
time



prices price list online  
www.igus.eu/eu/xirodur-A500

## Radial deep-groove ball bearings



Made of xirodur® A500

PEEK cage

glass balls



+150 °C

-100 °C



## Order key

### BB-623-A500-70-GL



**Ball material**

GL = glass

**Cage material**

70 = PEEK

**Race material**

A500 = xirodur® A500

**Dimensions acc. to**

DIN 625-1

**Ball bearing**

xirodur® A500 polymer ball bearings with combination of PEEK cage and Glass balls are often used in environments, where high chemical resistance is necessary and it should be dispense entirely of stainless steel components.

- Lubrication- and maintenance-free
- For high temperatures up to +150 °C
- Corrosion-resistant
- Non-magnetic and washable
- Chemical resistant
- Predictable lifetime

- Low weight
- For shaft diameter 3–20 mm
- Electrically insulating

## Dimensions [mm]

Part number	Race	Cage	Ball	Inner-Ø d1	Outer-Ø d2	Width b1
BB-623-A500-70-GL	A500	PEEK	Glass	3	10	4
BB-626-A500-70-GL	A500	PEEK	Glass	6	19	6
BB-608-A500-70-GL	A500	PEEK	Glass	8	22	7
BB-6000-A500-70-GL	A500	PEEK	Glass	10	26	8
BB-6004-A500-70-GL	A500	PEEK	Glass	20	42	12

## Technical Data

Part number	Max. static bearing load axial [N]	Static bearing load [N]	Dynamic bearing load [N]	Max. speed [rpm]	Weight [g]
BB-623-A500-70-GL	40	30	40	5,000	0.3
BB-626-A500-70-GL	125	60	81	3,200	1.6
BB-608-A500-70-GL	220	72	97	2,700	2.4
BB-6000-A500-70-GL	380	102	137	2,100	3.8
BB-6004-A500-70-GL	650	250	350	1,300	13.2



**delivery** from stock  
**time**

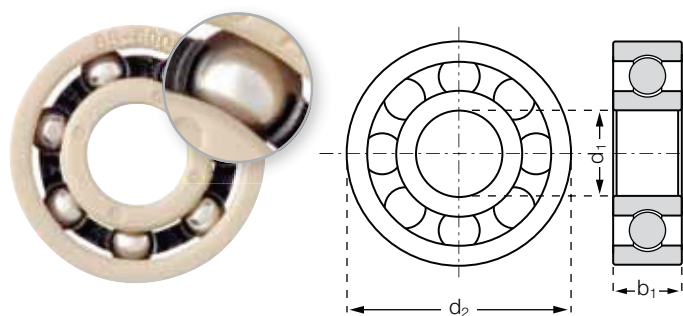


**prices** price list online

[www.igus.eu/eu/xirodur-A500](http://www.igus.eu/eu/xirodur-A500)

# xirodur® A500 Polymer Ball Bearings | Product Range

## Radial deep-groove ball bearings



Made of xirodur® A500

PA cage

stainless steel balls



+150 °C

-40 °C



Order key

**BB-623-A500-10-ES**



**Ball material**

ES = stainless steel

**Cage material**

10 = PA

**Race material**

A500 = xirodur® A500

**Dimensions acc. to**

**DIN 625-1**

**Ball bearing**

xirodur® A500 polymer ball bearings with combination of PA cage and stainless steel balls are the economic alternative of xirodur® A500 product range, when temperature is merely up to +150 °C and no chemicals are in use.

- Lubrication- and maintenance-free
- For high temperatures +150 °C
- Corrosion-resistant
- Non-magnetic and washable
- Electrically insulating

## Dimensions [mm]

Part number	Race	Cage	Ball	Inner-Ø d1	Outer-Ø d2	Width b1
BB-623-A500-10-ES	A500	PA	1.4401	3	10	4
BB-626-A500-10-ES	A500	PA	1.4401	6	19	6
BB-608-A500-10-ES	A500	PA	1.4401	8	22	7
BB-6000-A500-10-ES	A500	PA	1.4401	10	26	8
BB-6004-A500-10-ES	A500	PA	1.4401	20	42	12

## Technical Data

Part number	Max. static bearing load axial [N]	Static bearing load [N]	Dynamic bearing load [N]	Max. speed [rpm]	Weight [g]
BB-623-A500-10-ES	40	30	40	5,000	0.4
BB-626-A500-10-ES	125	60	81	3,200	2.3
BB-608-A500-10-ES	220	72	97	2,700	3.7
BB-6000-A500-10-ES	380	102	137	2,100	6.0
BB-6004-A500-10-ES	650	250	350	1,300	19.4



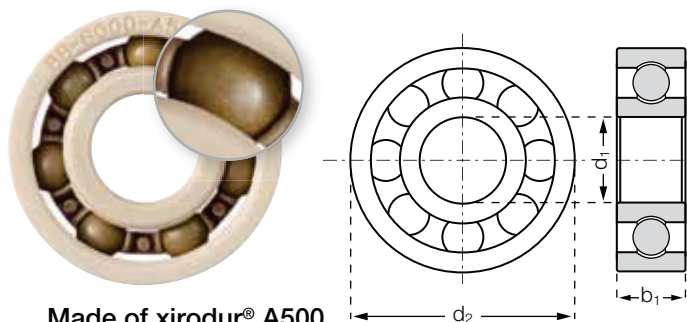
delivery from stock  
time



prices price list online

[www.igus.eu/eu/xirodur-A500](http://www.igus.eu/eu/xirodur-A500)

## Radial deep-groove ball bearings



Made of xirodur® A500

PEEK cage

PAI balls



+150 °C

-100 °C



## Order key

### BB-626-A500-70-PAI



#### Ball material

PAI = plastic

#### Cage material

70 = PEEK

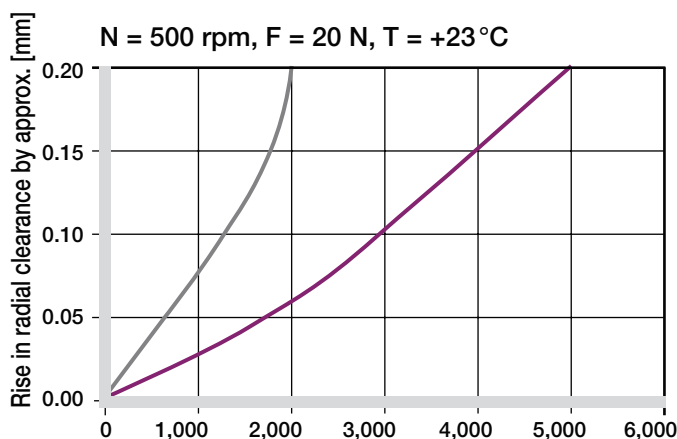
#### Race material

A500 = xirodur® A500

#### Dimensions acc. to

DIN 625-1

#### Ball bearing



#### Service life [h]

■ With plastic balls

■ With 1.4401 balls

xirodur® A500 polymer ball bearings are also available with plastic balls. At low loads the wear resistance can be improved by a factor of 3.

- Lubrication- and maintenance-free
- Corrosion and chemical resistant
- For temperatures up to +150 °C
- Non-magnetic and washable
- Predictable lifetime
- Low weight
- Electrically insulating

## Dimensions [mm]

Part number	Race	Cage	Ball	Inner-Ø d1	Outer-Ø d2	Width b1
BB-626-A500-70-PAI	A500	PEEK	PAI	6	19	6
BB-608-A500-70-PAI	A500	PEEK	PAI	8	22	7
BB-6000-A500-70-PAI	A500	PEEK	PAI	10	26	8
BB-6004-A500-70-PAI	A500	PEEK	PAI	20	42	12

## Technical Data

Part number	Max. static bearing load axial [N]	Static bearing load [N]	Dynamic bearing load [N]	Max. speed [rpm]	Weight [g]
BB-626-A500-70-PAI	30	15	20	3,200	1.4
BB-608-A500-70-PAI	55	18	25	2,700	2.2
BB-6000-A500-70-PAI	95	25	34	2,100	3.4
BB-6004-A500-70-PAI	160	62	88	1,300	11.7



delivery from stock  
time

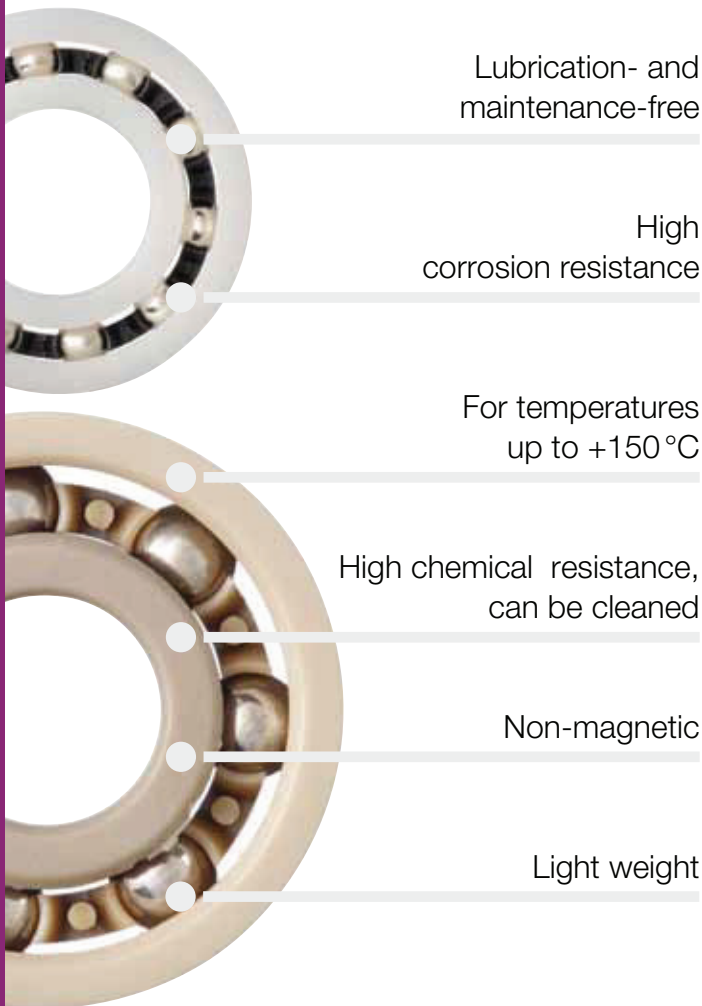


prices price list online

[www.igus.eu/eu/xirodur-A500](http://www.igus.eu/eu/xirodur-A500)

# xiros® Polymer Ball Bearings

xiros® polymer ball bearings revolutionize the market. Due to the maintenance-free dry-running and the use of xirodur® high performance polymers successfully solve many applications where conventional metal ball bearings are not effective.



Lubrication- and maintenance-free

High corrosion resistance

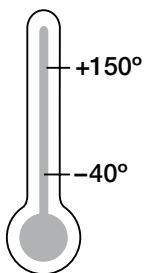
For temperatures up to +150 °C

High chemical resistance, can be cleaned

Non-magnetic

Light weight

## Temperature



## Product range

5 materials  
10 product types



### When to use xiros® polymer ball bearings?

- If you need lubrication-free ball bearings
- For maintenance-free dry-running
- At rotational speeds that exceed the limits of a plain bearing
- If corrosion resistance is required
- If temperatures are reached up to +150 °C (depending on type)
- If chemical resistance and cleaning is necessary
- If non-magnetics ball bearings are to be used
- Low weight requirement
- When they need for FDA compliance



### When not to use xiros® polymer ball bearings?

- At very high loads or speeds
- Just for a cost down on traditional metal ball bearings
- At very high precision requirements (clearance)



### General order key for radial ball bearings

## BB-623-A500-10-ES

#### Ball material

GL = glass  
ES = stainless steel  
PAI

#### Cage material

10 = PA  
20 = PP  
70 = PEEK

#### Race material

xirodur® A500, xirodur® B180,  
xirodur® C160, xirodur®  
D180, xirodur® F180

#### Dimensions acc. to DIN 625-1

Ball bearing



# xiros® Polymer Ball Bearings

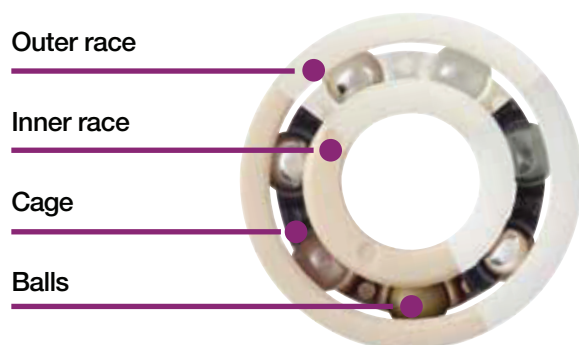
The product range of xiros® polymer ball bearing comprises a variety of different product groups. All have in common that they do not require any additional lubrication. This provides significant advantages in areas where lubricants can be washed out, or could decompose due to the operational environment. Other advantages are (depending on the design):

- Maintenance-free
- Light weight
- Free from metal (due to the use of glass and plastic balls)
- Non-magnetic
- Chemical resistant
- Corrosion resistant
- Electrically insulating
- FDA-compliant (► [page 693](#))
- Predictable lifetime

This last point, the predictability of xiros® polymer ball bearing is one of the most important advantages. Based on the results of many wear tests, the user can calculate the lifetime of the xiros® polymer ball bearing reliably and interpret the application (xiros® expert ► [page 687](#)).

## Design

The xiros® polymer ball bearings are single-row grooved ball bearings based on DIN 625. The lubricant-free and maintenance-free ball bearings consist of four components:



## The Outer- and Inner Race

The suitability of a xiros® polymer ball bearings is largely determined by the materials of the two races. These are made from igus® tribopolymers to maximize service life and minimize friction. You can choose from five different materials. They allow different values of application

temperature, chemical resistance and price. The table with material data (► [page 684](#)) gives exact information.

## The Cage

The material of the ball bearing cage must fit well to the application. These materials are very different regard to chemical resistance and temperature. As part of the delivery program of xiros® polymer ball bearings the cage are already great with the materials of the outer and inner rings.

## The Balls

The ball materials differ most significantly. In addition to steel glass or plastics are used. This produces a large difference in mass, which in turn affects smoothness, weight and chemical resistance.

Steelballs (stainless steel) are cost-effective, chemical resistant, but with the highest weight.

Glass balls used to give a metal-free solution. They are also very resistant to chemicals and have an average weight.

Polymer balls have significant advantages in weight, size and in the quiete rinning characteristics. Depending on the polymer plastic balls they can have excellent chemical resistance.

## Pillow Block and Flange Bearings

This range is made up by combining xiros® polymer ball bearing with the igubal® pillow block and flange bearings, resulting in a higher flexibility in terms of installation of the bearings. The pre-finished bearing housing make it easy for the user to use these maintenance-free components. Both flanged and pillow block available as fixed or as a pivoting design.

The difference between the two options is that the pivoting type can compensate for shaft and/or bearing misalignment. A spherical outer race is pressed into the bearing housing, ensuring self aligning action.

# xiros® Polymer Ball Bearings

## Application Areas

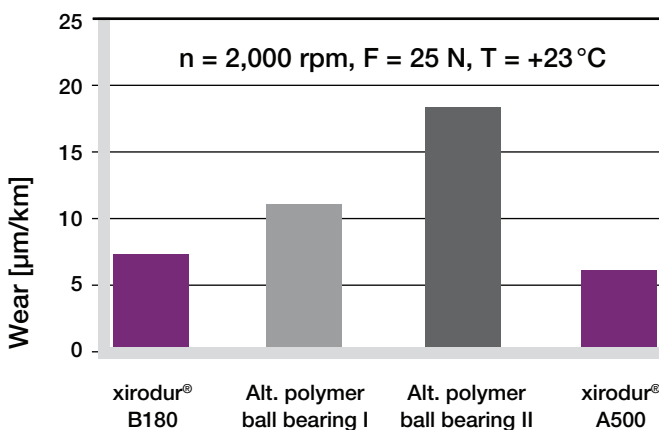
In contrast to metallic ball bearings, xiros® polymer ball bearings run without any lubrication. For this reason they are suitable for many applications which do not have extreme speeds or loads but ones which cannot use traditional greased ball bearings, as the application should run maintenance free. These areas are for example food and medical industries, packaging and textile industries, or the chemical industry and cleanroom applications as well as electronics and office technology.

## Development and Tests

Through numerous tests the race materials were optimised. The polymers we have developed for use with ball bearings allow higher speeds, greater loads, and longer service life. But the development continues, we believe that polymer ball bearing technology will continue to advance, especially with our experience and development with tribological polymer materials.

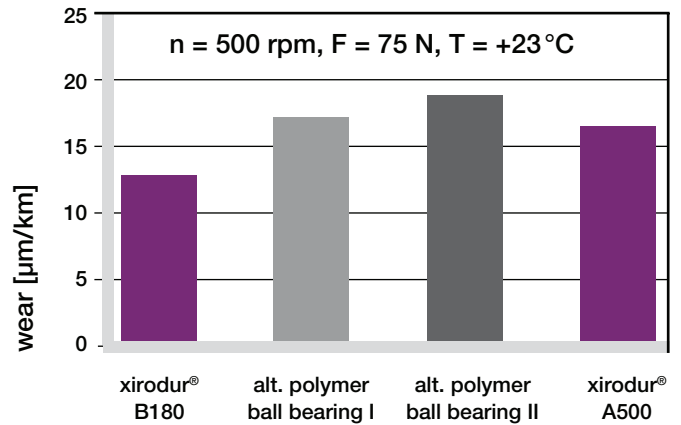
Challenge us, talk to us about your applications, tell us what you need from a plastic ball bearing.

In the igus® test laboratory the life and wear of xiros® polymer ball bearings was tested. In addition to the actual material comparison, tests indicate these experiments also answer questions about the impact of external influences such as temperature, humidity or dust.

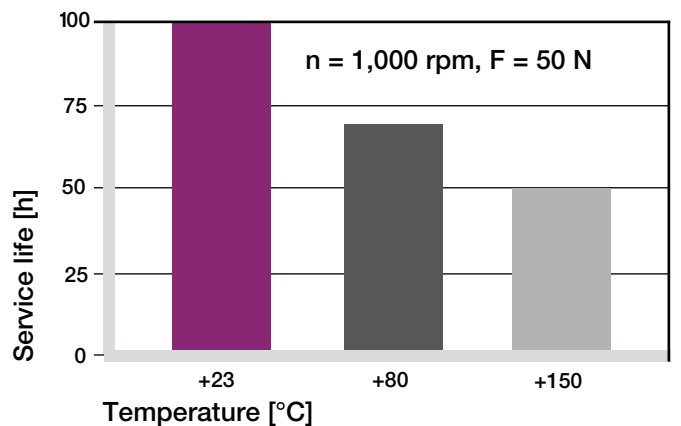


Graph 01: Wear test in igus® laboratory

The material combinations for bearing races, balls and cage are tested in the igus® test laboratory for a variety of load and speed. Thus, the application-specific selection of the suitable bearing and a Lifetime calculation is possible.



Graph 02: Wear test in igus® laboratory



Graph 03: Service life of xirodur® A500 polymer ball bearings at different ambient temperatures, dry

## Predictability

As part of the development of xiros® polymer ball bearing tests are carried out continuously. The extreme number of test results make it very difficult to present this information in tabular form, and for it to actually make sense.



Picture 01: Test bench for xiros® polymer ball bearings at igus® laboratory

# xiros® Polymer Ball Bearings



Picture 02: Test bench for xiros® polymer ball bearings at igus® laboratory

It is for this reason that igus has developed the online life calculator, which uses real test results to give an accurate calculation.

The lifetime-calculator is online at

► [www.igus.eu/xiros-expert](http://www.igus.eu/xiros-expert)

Immediately after entering the data, the lifetime is calculated and displayed. It is important to remember that the result given is based on actual test results in the igus laboratory, and is therefore totally reliable.

### xiros® service life prediction

**Your application parameters**

Installation size:

Max. speed:  rpm

Working temperature:  °C

Max. radial load:  N

Max. axial load (only if available):  N

**Selection of material combinations:**

Rings	Cage	Balls	FDA-compatible
A500	PEEK	Glass	-
A500	PA	Stainl.st.	-
A500	PEEK	Stainl.st.	●

Ball

Cage

Inner Ø d1 = 10 mm

Outer Ø d2 = 26 mm

Width b1 = 8 mm

xirodur® rings

**Data of the selected part**

Limit speed	1900 rpm
Max. static radial load	85 N
Max. dynamic radial load	119 N
Max. permitted axial load	285 N
Min. application temperature	-40 °C
Max. ambient temperature	80 °C

**Limit curve**

**Service Life** 333 h ✓

The service life refers only to the operating time. Intermittent service is not considered.

Part no.: ✓ BB-6000-B180-10-ES  Pieces Price: 5,42 EUR

Add to shopping basket

Help / Contact

PDF

Graduated prices

Catalog pages

Quote request

Change to shopping cart

Picture 03: xiros® expert for calculation service life online



Material table							
General properties	Unit	xirodur® A500	xirodur® B180	xirodur® C160	xirodur® D180	xirodur® F180	igumid G
Density	g/cm <sup>3</sup>	1,28	1,41	1,11	1,24	1,33	1,37
Colour		brown	white	opaque	blue	black	black
Max. moisture absorption at +23°C/50% r.h.	% weight	0,3	0,2	0,1	0,5	0,5	1,4
Max. water absorption	% weight	0,5	0,7	0,2	1,4	1,4	5,6
Mechanical properties							
Module of elasticity	MPa	3.600	2.500	1.900	130	975	7.800
Tensile strength at +20°C	MPa	140	68	35	n.d.	n.d.	240
Compressive strength		83	77	67	51	69	79
Electrical properties							
Specific volume resistance <sup>1)</sup>	Ωcm	> 10 <sup>14</sup>	> 10 <sup>14</sup>	> 10 <sup>14</sup>	> 10 <sup>14</sup>	> 10 <sup>5-10<sup>9</sup>2)</sup>	> 10 <sup>11</sup>
Surface resistance <sup>1)</sup>	Ω	> 10 <sup>13</sup>	> 10 <sup>14</sup>	> 10 <sup>14</sup>	> 10 <sup>14</sup>	> 10 <sup>5-10<sup>9</sup>2)</sup>	> 10 <sup>11</sup>
Thermal properties of xiros® polymer ball bearings							
Max. long term application temperatures	°C	+150	+80	+80	+80	+80	+120
Min. application temperatures (in combination with cage material)	°C	-100 (PEEK) -40 (PA)	-40	0	-50	-50	-40

<sup>1)</sup> only valid for xirodur® F180: the good conductivity of this material favours, under certain conditions, the corrosion generation on metallic parts

<sup>2)</sup> depending on the geometry

Table 01: Material data

Medium	Resistance						
	xirodur® A500	xirodur® B180	xirodur® C160	xirodur® D180	xirodur® F180	igumid G	
Alcohol	+	+	+	+ to 0	+ to 0	+ to 0	
Hydrocarbons	+	+	+ to 0	+	+	+	
Greases, oils without additives	+	+	+	+	+	+	
Fuels	+	+	+ to 0	+	+	+	
Diluted acids	+	0 to -	+	+ to 0	+ to 0	0 to -	
Strong acids	+	-	+ to 0	0	0	-	
Diluted alkalines	+	+	+	+ to 0	+ to 0	+	
Strong alkalines	+	+ to 0	+	+ to 0	+ to 0	0	

Table 02: Chemical resistance of xiros® materials

### Recommendation of tolerance for bore and shaft at xiros® radial ball bearings

By default we recommend a H7-tolerance of the housing bore of xiros® radial ball bearings and a h6-tolerance of the shaft. For further questions about the dimensioning of the bore and the shaft please contact us.

Which combination of materials is the best for my application?

**Races**

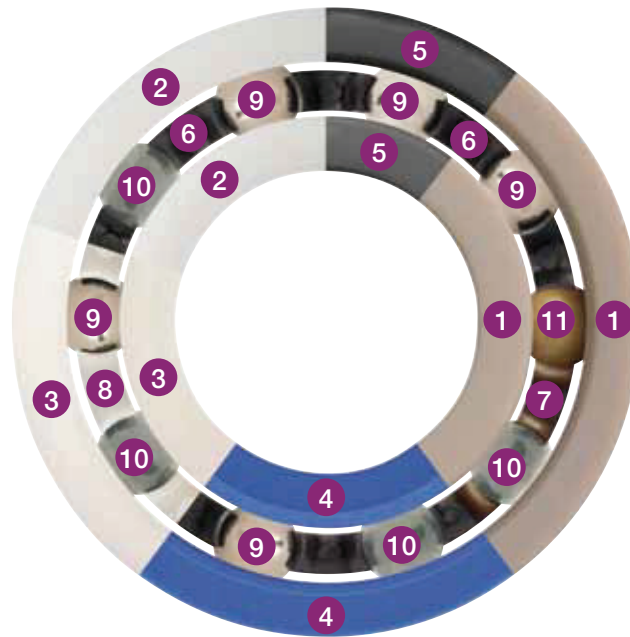
- 1 xirodur® A500
- 2 xirodur® B180
- 3 xirodur® C160
- 4 xirodur® D180
- 5 xirodur® F180

**Cages**

- 6 PA
- 7 PEEK
- 8 PP

**Balls**

- 9 Stainless steel (ES)
- 10 Glass (GL)
- 11 PAI



Material of inner-/outer races

Application sectors

Cage material

Ball material

Page

	xirodur® B180	xirodur® A500		xirodur® C160	xirodur® D180	xirodur® F180
Material of inner-/outer races	xirodur® B180	xirodur® A500		xirodur® C160	xirodur® D180	xirodur® F180
Application sectors	For cost-effective use	At high temperatures	With chemicals, FDA and high temperatures	With chemicals, temperatures up to +80 °C and for under water use	High rotation speed	Electrically conductive, ESD protection
Cage material	PA	PA	PEEK	PP	PA	PA
Ball material	ES, GL	ES, ES, GL, PAI	ES, GL, PAI	ES, GL	ES, GL	ES
	Cost-effective No metal	With high temperatures FDA compliance Chemicals Low loads	Depending on media: cost-effective Depending on media: seawater	Wear resistant Resistant to wear, chemicals and cleaning solutions	Conductive	
Page	686 686	691 689 690 692	693 693	694 694	695	