

## igubal® detectable

Detectable

Insensitive to dust and dirt

Lubrication- and maintenance-free

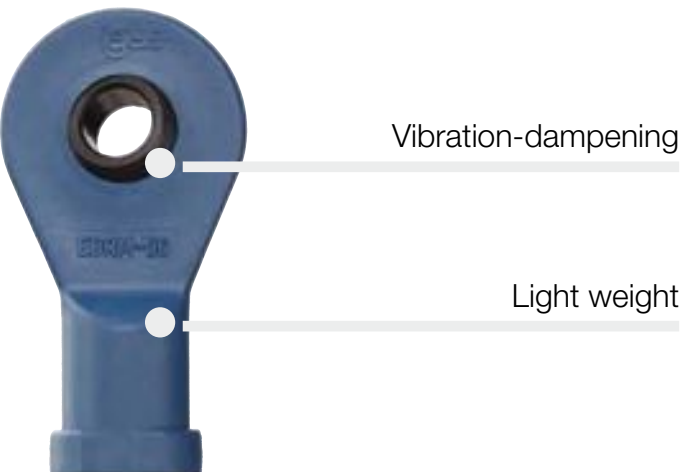
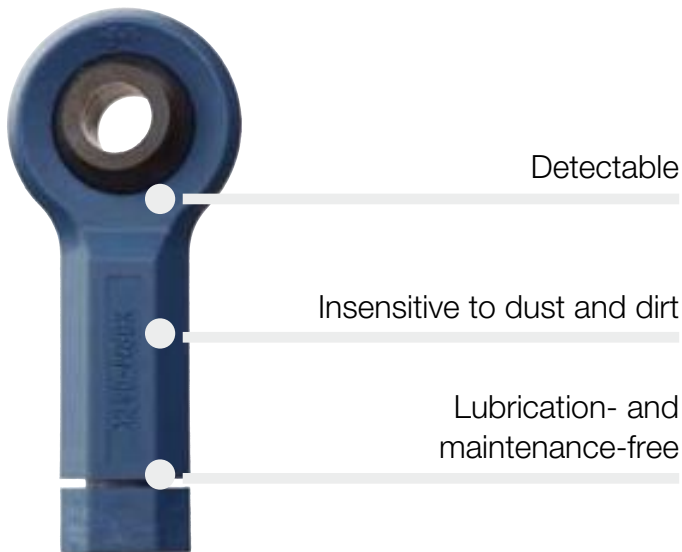
Vibration-dampening

Light weight

Corrosion-resistant

# igubal® detectable

igubal® bearings can be found quickly in case of misuse or crash of the system through metal detectable material. Even the smallest fragment is thus found by metal detectors.



## When to use it?

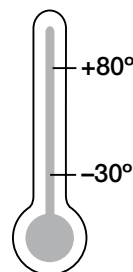
- When particles should be detectable
- When maintenance-free materials are required
- If dimensional series K and E should be used
- If high pressure resistance is required
- If high elasticity is requested
- If high pressure resistance is required
- If high elasticity is requested



## When not to use it?

- If temperatures are higher than +80 °C
- If dimensions above 16 mm are necessary
- If rotation speeds higher than 0.5 m/s are required

## Temperature



## Product range

4 types  
Ø 4–16 mm  
more dimensions  
on request

## from stock



**KBRM-...-CL-DT**  
**KBLM-...-CL-DT**  
Series K  
right/left  
metric

▶ page 738



**EBRM-...-DT**  
**EBLM-...-DT**  
Series E  
right/left  
metric

▶ page 739



**GERM-...-DT**  
**GELM-...-DT**  
Series E  
right/left  
metric

▶ page 740



**GEFM-DT**  
Series E  
metric

▶ page 742



**GERMF-...-DT**  
**GELMF-...-DT**  
Series E  
metric

▶ page 743



**RN248KM**  
**RN248EM**  
Series K, E  
metric

▶ page 734

## on request

### Rod Ends



**KARM-CL-DT**

▶ page 642



**EARM-DT**

▶ page 646



**KCRM-DT**

▶ page 639

### Pillow Block Bearings



**ESTM-DT**

▶ page 683



**ESTM-SL-DT**

▶ page 685

### Flange Bearings



**EFOM-DT**

▶ page 692



**EFSM-DT**

▶ page 694

### Pressfit Spherical Bearings



**KGLM LC-DT**

▶ page 705



**KGLM SL-DT**

▶ page 706



**EGLM-DT**

▶ page 709



**ECLM-DT**

▶ page 711



**EGFM-T-DT**

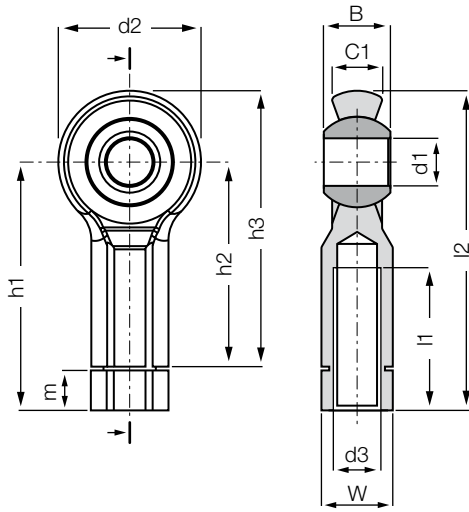
▶ page 713



**EGZM-DT**

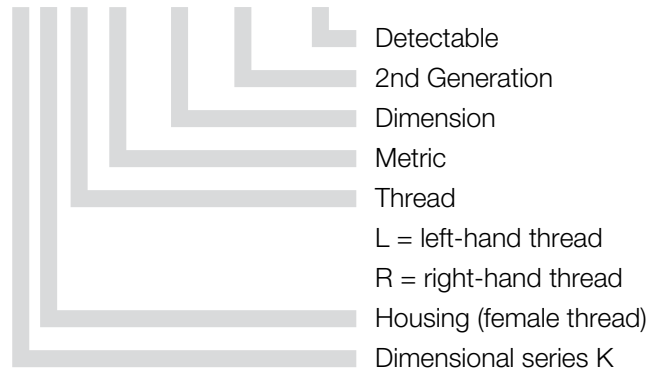
▶ page 714

## Rod ends with female thread: KBRM-CL-DT and KBLM-CL-DT



### Order key

**KB...M-06-CL-DT**



- Smooth design has no dirt traps
- Compensation for shaft misalignment
- Light weight
- Excellent corrosion resistance
- Dimensional series K according to standard DIN ISO 12240



### Material:

Housing: **RN246** ► page 1129

Spherical ball: **RN248KM** ► page 734

### Dimensions [mm]

Part number		d1	d2	d3	W	B	C1	h3	h1	h2	l1	l2	m	max. pivot angle
Right-hand thread	Left-hand thread	E10												
<b>KBRM-06-CL-DT</b>	<b>KBLM-06-CL-DT</b>	6	20	M06	SW10	9	7	40	36.5	30	20	46.5	5.7	40°

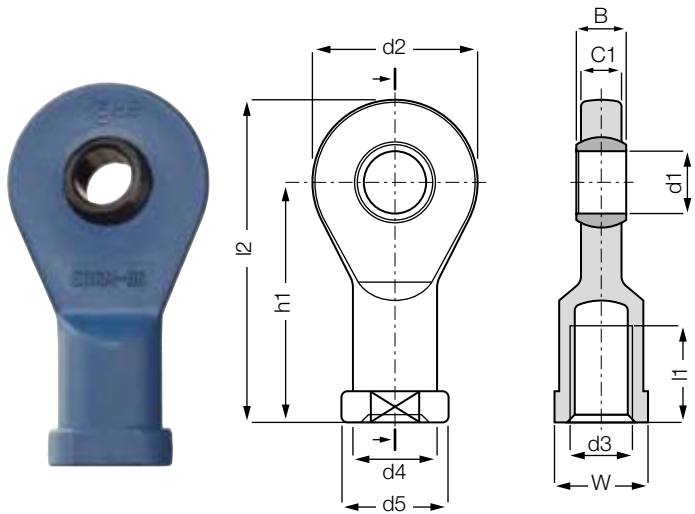


**delivery** from stock  
**time**



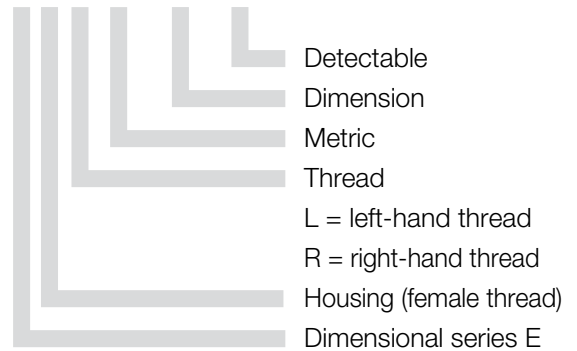
**prices** Online-Preisliste  
[www.igus.eu/eu/kbrm-cl-dt](http://www.igus.eu/eu/kbrm-cl-dt)

## Rod ends with female thread: EBRM-DT and EBLM-DT



### Order key

### EB...M-04-DT



- Smooth design has no dirt traps
- Clipped ball
- Selection of iglidur® spherical ball materials
- Compensation for shaft misalignment
- Light weight
- Excellent corrosion resistance



### Material:

Housing: **RN246** ► page 1129

Spherical ball: **RN248EM** ► page 734

### Dimensions [mm]

Part number		d1	d2	d3	d4	d5	C1	B	h1	l1	l2	W	max. pivot angle
		E10											
Right-hand thread	Left-hand thread												
<b>EBRM-04-DT</b>	<b>EBLM-04-DT</b>	4	15	M04	–	–	3.5	5	22.5	9.5	30.0	SW08	33°
<b>EBRM-05-DT</b>	<b>EBLM-05-DT</b>	5	19	M05	9.0	11	4.4	6	30	12	39.5	SW09	33°
<b>EBRM-06-DT</b>	<b>EBLM-06-DT</b>	6	21	M06	11.0	13	4.4	6	30	8	40.5	SW11	27°
<b>EBRM-08-DT</b>	<b>EBLM-08-DT</b>	8	24	M08	13.0	16	6.0	8	36	14	48.0	SW14	24°
<b>EBRM-10-DT</b>	<b>EBLM-10-DT</b>	10	29	M10	15.0	19	7.0	9	43	18	57.5	SW17	24°
<b>EBRM-12-DT</b>	<b>EBLM-12-DT</b>	12	34	M12	18.0	22	8.0	10	50	20	67.0	SW19	21°



**delivery** from stock  
**time**



**prices** Online-Preisliste  
www.igus.eu/eu/ebm-cl-dt

## Clevis joint, detectable: GERM-DT and GELM-DT



- Detectable
- Insensitive to dust and dirt
- Maintenance-free and lubricant-free
- Vibration dampening
- Light weight

## Technical Data

Part number		Max. static tensile strength		Max. static radial load		Weight
		Short term	Long term	Short term	Long term	
Right-hand thread	Left-hand thread	[N]	[N]	[N]	[N]	[g]
<b>GERM-04-DT</b>	<b>GELM-04-DT</b>	455	227,5	175	87.5	0.9
<b>GERM-05-DT</b>	<b>GELM-05-DT</b>	840	420	175	87.5	2.7
<b>GERM-06-DT</b>	<b>GELM-06-DT</b>	980	490	210	105	2.5
<b>GERM-08-DT</b>	<b>GELM-08-DT</b>	1,890	945	455	227.5	6.3
<b>GERM-10-DT</b>	<b>GELM-10-DT</b>	3,290	1,645	560	280	13.2
<b>GERM-10-F-DT</b>	<b>GELM-10-F-DT</b>	3,290	1,645	560	280	13.2
<b>GERM-12 DT</b>	<b>GELM-12 DT</b>	3,990	1,995	630	315	20.2
<b>GERM-12-F-DT</b>	<b>GELM-12-F-DT</b>	3,990	1,995	630	315	20.2

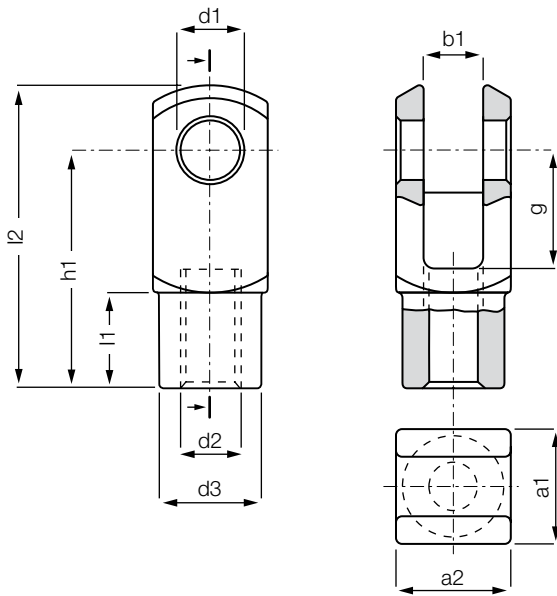


**delivery** from stock  
**time**



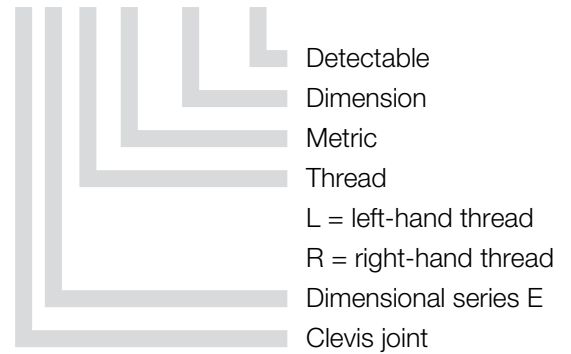
**prices** price list online  
[www.igus.eu/detectable](http://www.igus.eu/detectable)

## Clevis joint, detectable: GERM-DT and GELM-DT



### Order key

## GE...M-04-DT



### Material:

RN246 ► page 1129

### Dimensions [mm]

Part number		d1	g	a1	a2	b1	d2	d3	l2	h1	l1
		H9	h11	+0.3 -0.16	+0.3 -0.16	B13	Thread tolerance 6H	+0.3 -0.3	+0.5 -0.5	+0.3 -0.3	+0.2 -0.2
Right-hand thread	Left-hand thread										
GERM-04-DT	GELM-04-DT	4	8	8	8	4	M04	8.0	21.0	16.0	6.0
GERM-05-DT	GELM-05-DT	5	12	12	12	6	M05	10.0	30.6	24.0	9.0
GERM-06-DT	GELM-06-DT	6	12	12	12	6	M06	10.0	30.6	24.0	9.0
GERM-08-DT	GELM-08-DT	8	16	16	16	8	M08	14.0	41.6	32.0	12.0
GERM-10-DT	GELM-10-DT	10	20	20	20	10	M10	18.0	51.3	40.0	15.0
GERM-10-F-DT	GELM-10-F-DT	10	20	20	20	10	M10 x 1.25	18.0	51.3	40.0	15.0
GERM-12-DT	GELM-12-DT	12	24	24	24	12	M12	20.0	61.3	48.0	18.0
GERM-12-F-DT	GELM-12-F-DT	12	24	24	24	12	M12 x 1.25	20.0	61.3	48.0	18.0

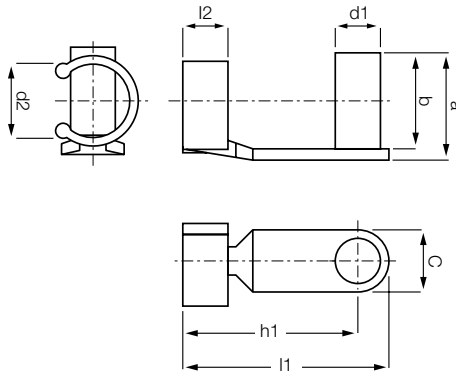


delivery from stock  
time



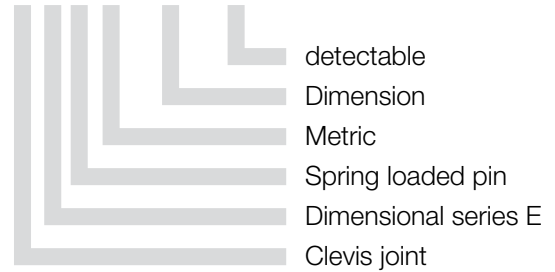
prices price list online  
www.igus.eu/detectable

## Spring loaded pin, detectable: GEFM-DT



### Order key

## GEFM-04-DT



- Detectable
- Insensitive to dust and dirt
- Maintenance-free and lubricant-free
- Vibration dampening
- Light weight



### Material:

RN246 ► page 1129

### Dimensions [mm]

Part number	d1 h11	d2	a	b	c	l1 ±0.5	h1	l2	Weight [g]
GEFM-04-DT	4	8	9.5	10.5	8	19	15	4.5	0.5
GEFM-05-DT	5	10	14	15.5	8	27	23	6.5	1.1
GEFM 06-DT	6	10	14	15.5	8	27	23	6.5	1.2
GEFM-08-DT	8	14	19	21.0	11	35.5	30	8.0	2.8
GEFM-10-DT	10	18	23	25.5	14	45	38	10	5
GEFM-12-DT	12	20	28	31.0	16	53	45	12.0	8.3



delivery from stock  
time



prices price list online  
[www.igus.eu/detectable](http://www.igus.eu/detectable)



Clevis joints with spring loaded pins, detectable: GERMF-DT and GELMF-DT

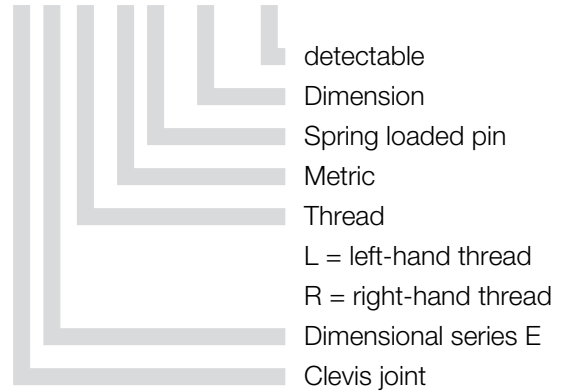


- Detectable
- Insensitive to dust and dirt
- Maintenance-free and lubricant-free
- Vibration dampening
- Light weight



Order key

**GE...MF-04-DT**



**Material:**  
RN246 ► page 1129

## Technical Data

Part number		Max. static tensile strength		Max. static radial load		Weight [g]
		Short term [N]	Long term [N]	Short term [N]	Long term [N]	
Right-hand thread	Left-hand thread	[N]	[N]	[N]	[N]	[g]
GERMF-04-DT	GELMF-04-DT	350	175	175	87.5	1.3
GERMF-05-DT	GELMF-05-DT	630	315	175	87.5	3.8
GERMF-06-DT	GELMF-06-DT	910	455	210	105	3.9
GERMF-08-DT	GELMF-08-DT	1,470	735	455	227.5	9.1
GERMF-10-DT	GELMF-10-DT	2,100	1,050	560	280	18.2
GERMF-10-F-DT	GELMF-10-F-DT	2,100	1,050	560	280	18.2
GERMF-12-DT	GELMF-12-DT	2,450	1,225	630	315	28.6
GERMF-12-F-DT	GELMF-12-F-DT	2,450	1,225	630	315	28.6



Individual components: Clevis joint GERM-DT and Spring loaded pin GEFM-DT  
► page 740 and 742



**delivery** from stock  
**time**



**prices** price list online  
[www.igus.eu/detectable](http://www.igus.eu/detectable)