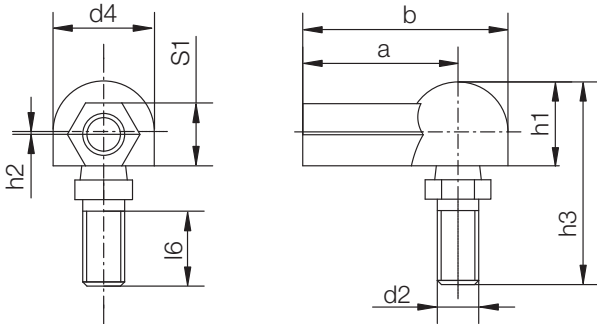
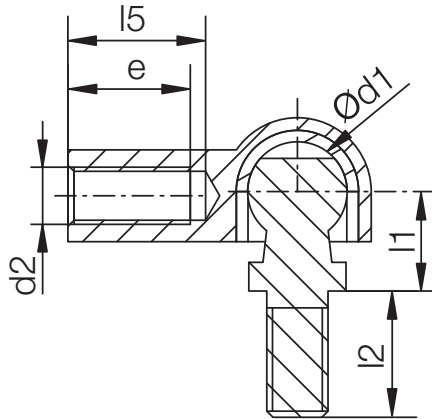


Angle joint for rotating and pivoting motions: WGRM and WGLM



Order key

WG...M-05



Dimension
Metric
Thread
L = left-hand thread
R = right-hand thread
Housing
Angle joint



Material:

Housing: **igumid G** ▶ page 983

Spherical cap: **iglidur® W300** ▶ page 131

- Connection for rotating and swivelling movements
- Light weight and robust
- Easy and quick assembly
- Vibration-dampening
- Insensitive to dirt and dust

Technical Data

Part number		Max. axial tensile force (Ball stud axis*)		Max. axial compressive force (Ball stud axis)		Max. axial tensile force (Housing axis)		Max. axial tensile force in housing axis, with metal ball stud		Weight
Right-h. thread	Left-h. thread	Short time	Long term	Short term	Long term	Short term	Long term	Short term	Long term	[g]
WGRM-05	WGLM-05	30	15	200	100	100	50	600	300	2.6
WGRM-06	WGLM-06	35	17.5	300	150	140	70	800	400	4
WGRM-08	WGLM-08	250	125	500	250	200	100	1,500	750	8.2
WGRM-10	WGLM-10	250	125	900	450	400	200	1,900	950	13.8

* MS = metal stud; e.g.: WGRM-05 MS

Dimensions [mm]

Part number	d1	d2	d4	l1	l2	l5	l6	h3	a	b	e	S1	Max. pivot angle
Right-hand thread	+0.1	+0.5	+0.2	+0.3				+0.5	+0.3	+0.5	+0.5		
Left-hand thread	-0.1	-0.5	-0.2	-0.3			Min.	-0.5	-0.3	-0.5	-0.5		
WGRM-05	WGLM-05	8.0	M5	12.8	9.0	10.2	14.0	8.2	25.6	22.0	28.4	11.0 SW 8	25°
WGRM-06	WGLM-06	10.0	M6	14.8	11.0	12.5	16.0	10.5	30.9	25.0	32.4	13.0 SW 9	25°
WGRM-08	WGLM-08	13.0	M8	19.3	13.0	16.5	18.0	13.5	38.8	30.0	39.7	16.0 SW12	25°
WGRM-10	WGLM-10	16.0	M10	24.0	16.0	20.0	20.0	16.0	47.0	35.0	47.0	18.0 SW14	25°



delivery available
time from stock



prices price list online
www.igus.eu/eu/wgrm



order Part number
example WGRM-05