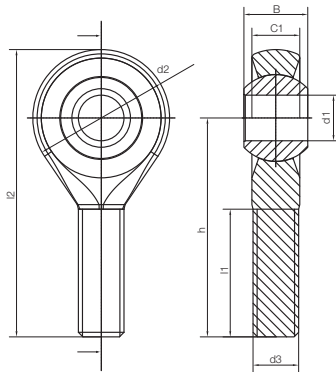


Rod ends, male thread; 2nd generation: KARM CL



Male thread



Order key

KARM-06 CL



- Smooth design has no dirt traps
- Compensation of misalignment
- Light weight
- Excellent corrosion resistance
- Design with metal sleeve for higher torque strength available
- Left-hand thread version KALM in preparation
- Standard spherical bearing: iglidur® W300



Material:

Housing: **igumid G** ▶ page 983

Spherical ball: **variable** ▶ page 667

Technical data

Part number	Max. static tensile strength		Max. radial load		Min. thread depth	Max. torque strength	Max. torque through ball		Weight [g]
	Short term [N]	Long term [N]	Short term [N]	Long term [N]	Thread [mm]	Outer threading [Nm]	Standard without MH [Nm]	Standard with MH [Nm]	
KARM-06 CL	1,000	500	100	50	15	0.5	10	15	3.5
KARM-08 CL	1,700	850	200	100	18	2.0	12	40	6.2
KARM-10 CL	2,500	1,250	300	150	20	5.0	20	50	11.2
KARM-12 CL	2,700	1,350	400	200	22	6.0	30	70	15.6

Dimensions [mm]

Part number	d1 E10	d2	d3	C1	B	h	l1	l2	Max. pivot angle
KARM-06 CL	6	20	M06	7.0	9.0	36	21	46	40°
KARM-08 CL	8	24	M08	9.0	12.0	42	25	55	35°
KARM-10 CL	10	30	M10	10.5	14.0	48	28	63	35°
KARM-12 CL	12	34	M12	12.0	16.0	54	32	71	35°

Rod ends can be ordered in metric dimensions **with metal insert** with the addition of **MH** after the part numbers listed here Part number, e.g. KARM-10 **MH** (Inner-Ø: 10 mm).

For another spherical bearing material please add **J, R** or **X** to the part number, e.g. KARM-10 CL **J**.



delivery available
time from stock



prices price list online
www.igus.eu/eu/karm-cl



order Part number
example KARM-06 CL